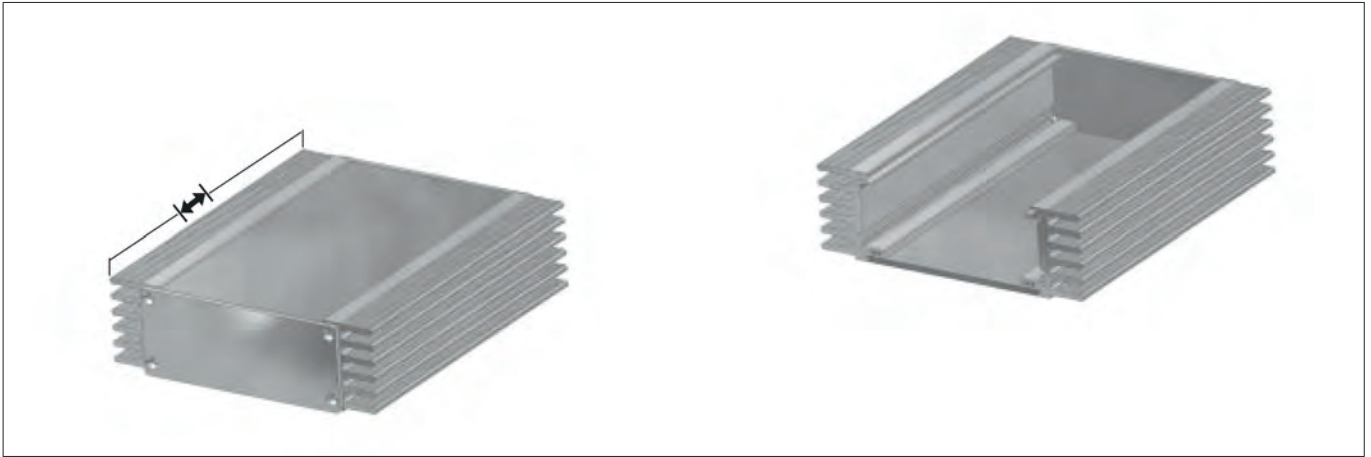
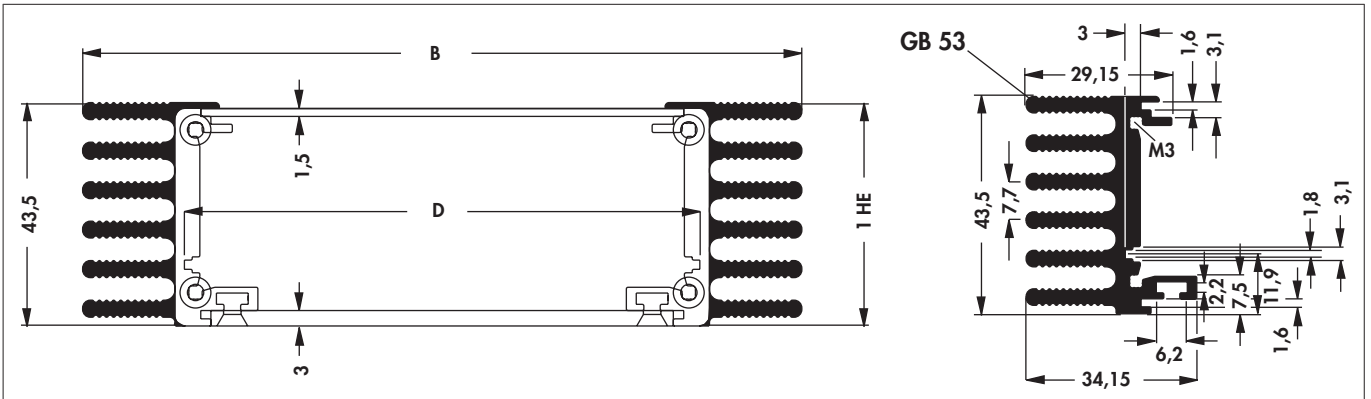


Case with cooling fins



- with integrated guide rails for application of Eurocards or other components
- the 2.5 mm thick covers can be machined and printed according to your requirements
- with **M 3** fixing threads for covers
- supplied as kit, incl. cover plates and mounting material
- special dimensions and surface treatments upon request



art. no.	for Eurocards [mm]	fin spacing [mm]	dim. [mm]	
			B	D
KRG 01 ...	100x160	160	140.0	100.0
KRG 02 ...	100x220	220		
KRG 03 ...	233.4x160	160	273.4	233.4
KRG 04 ...	233.4x220	220		

please indicate: ... surface
SA = black anodised
ME = natural colour anodised

Profile sold by the metre → M 57