
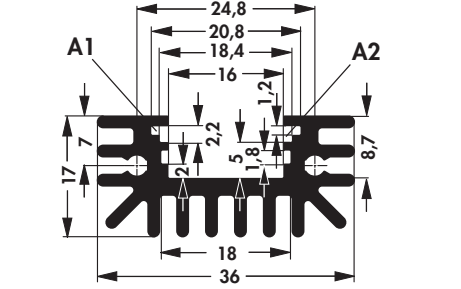
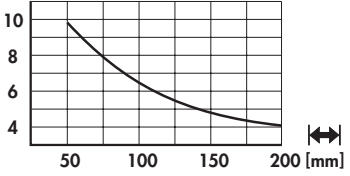

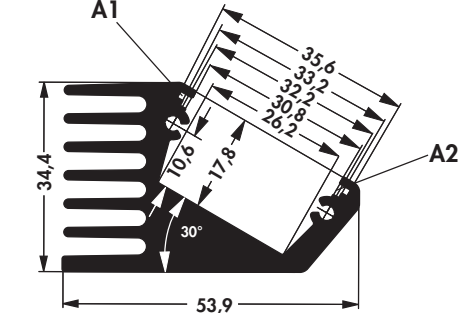
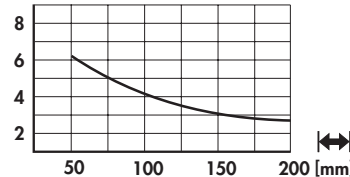
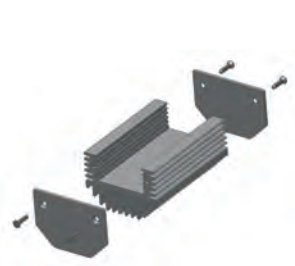
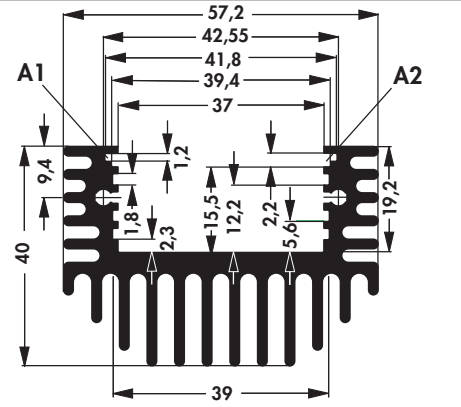
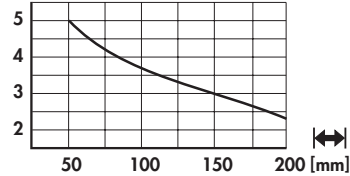



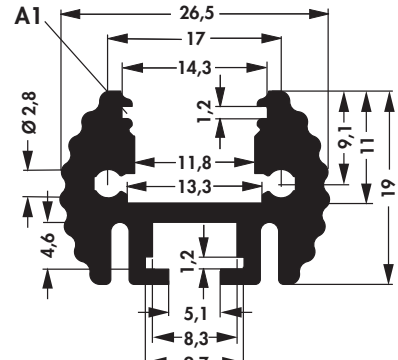
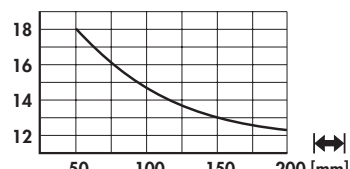

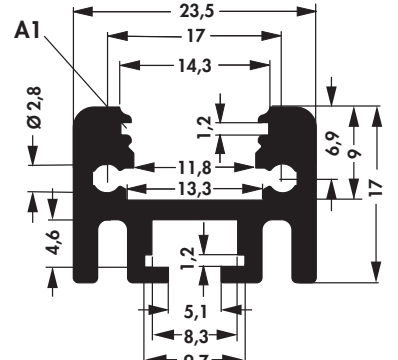
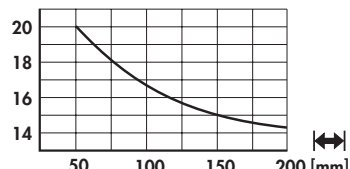

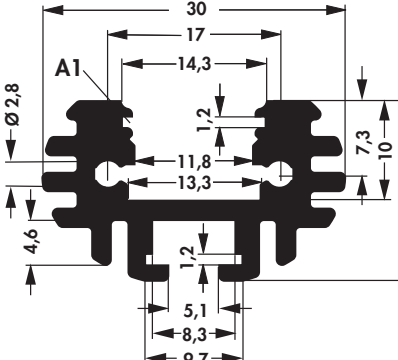
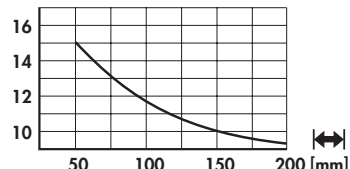
Heat dissipating cases for LED Line module

- aluminium casing with cooling fins suitable for flexible and rigid LED Line Modules
- possibility to insert covers from sheet metal and plastic
- respective heatsink profiles → **SK LED ...** heatsink catalogue **f.cool**
- customer specific designs, lengths and treatments upon request
- delivery as demounted kit including cover plates of 2 mm strength and mounting material
- option for **G LED 1 - 3**: cover plate A2 of 2 mm strength available

<p>art. no.</p> <p>G LED 1 ...</p>			<p>SK LED 1</p> <p>R_{th} [K/W]</p> 
<p>art. no.</p> <p>G LED 2 ...</p>			<p>SK LED 2</p> <p>R_{th} [K/W]</p> 
<p>art. no.</p> <p>G LED 3 ...</p>			<p>SK LED 3</p> <p>R_{th} [K/W]</p> 
<p>please indicate: ... $\left[\right]$ 100 150 200 500 750 1000 2000 mm</p> <p>... cover plate (optional) (optional) A1 = 1mm plate thickness A2 = 2mm plate thickness</p> <p>... surface SA = black anodised ME = natural colour anodised</p>			

Profile sold by the metre → M 57

Heat dissipating case for LED Line module

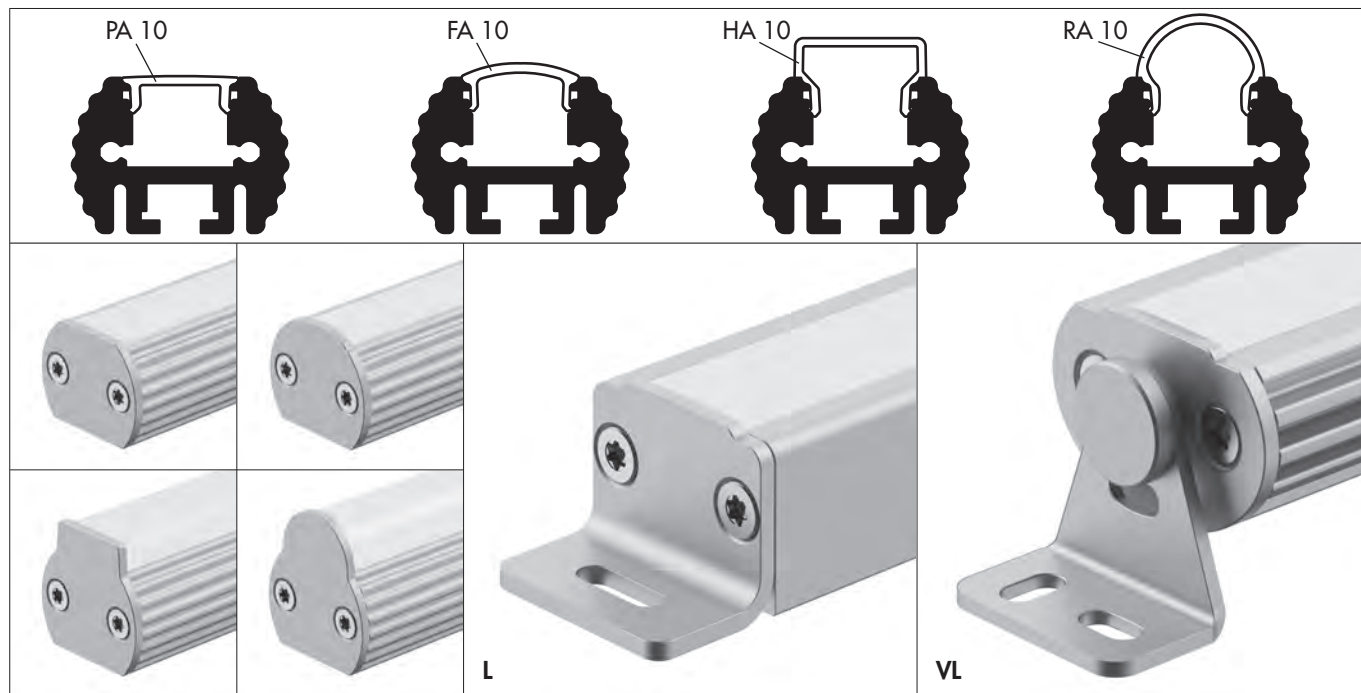
<p>art. no.</p> <p>G LED 5 ...</p>			<p>SK LED 5</p> <p>R_{th} [K/W]</p> 
<p>art. no.</p> <p>G LED 6 ...</p>			<p>SK LED 6</p> <p>R_{th} [K/W]</p> 
<p>art. no.</p> <p>G LED 7 ...</p>			<p>SK LED 7</p> <p>R_{th} [K/W]</p> 
<p>please indicate: ... \longleftrightarrow 100 150 200 500 750 1000 2000 mm ... cover plate (optional) (optional) A1 = 1mm plate thickness</p> <p>... surface SA = black anodised ME = natural colour anodised</p>			

Profile sold by the metre → M 57



Heat dissipating case for LED Line module

- suitable plastic covers for **G LED 5 - 7**, including matching cover plates upon request
- plastic covers in 40 % milky, 75 % matt or 95 % clear (only PA 10 and FA 10) available
- mounting angle (**L**) or in adjustable version (**VL**) upon request



A

B

C

D

E

F

G

H

I

K

L

M

N