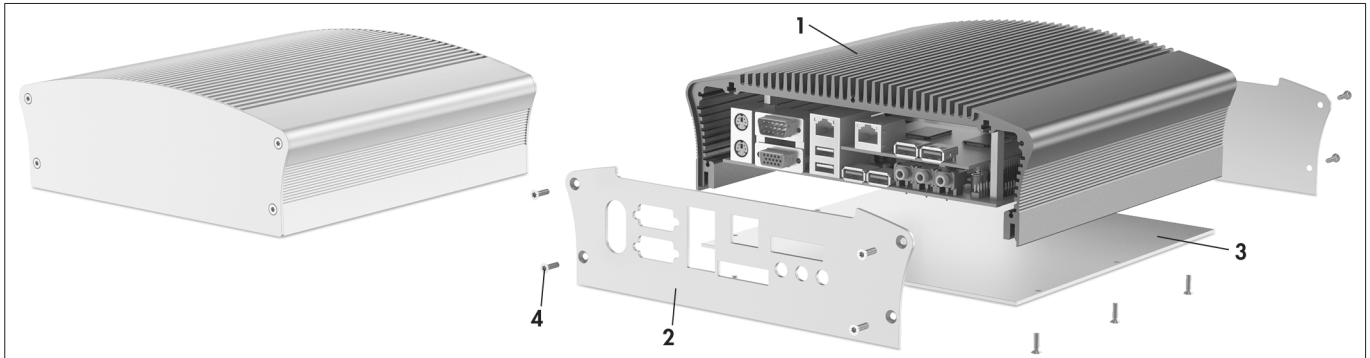


Case with cooling fins: Embedded case



contents of delivery: **1** = 1 x case profile; **2** = 2 x cover panel; **3** = 1 x bottom panel; **4** = mounting material

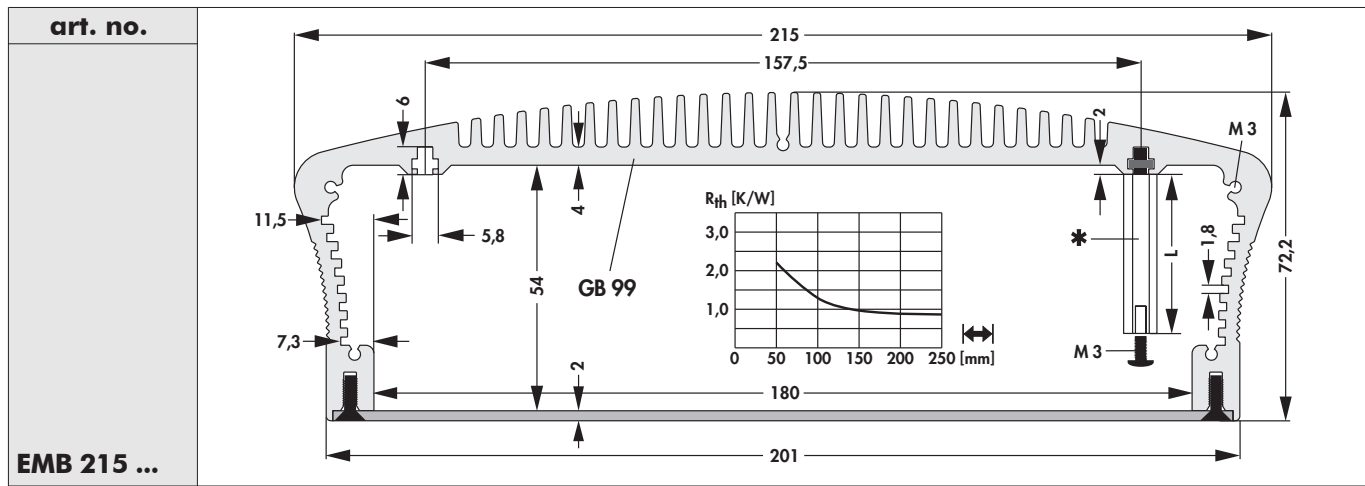
- universal cooling fin case made of aluminium extruded profile, cover panels in 2 mm thickness and removable bottom panel
- optimized heat dissipation by means of external cooling fins
- the integrated T-grooves in the case profile for mounting of i.e. mainboards in the Mini-ITX or NUC form factor by means of distance, bolts and mounting plate also EBX, Nano ITX, EPIC, ETX/XTX and PC/104 form factors by means
- internal guide grooves for inserting PCBs or mounting plates
- wall-, ceiling- or top-hat rail mounting by means of fixing straps or top-hat rail mounting from the bottom
- special designs, embedded cover panels, machinings, surfaces and printings upon request

<p>art. no.</p> <p>EMB 135 ...</p>		
<p>art. no.</p> <p>EMB 175 ...</p>		
<p>please indicate: ... $\left[\begin{array}{c} \text{---} \\ \text{---} \end{array} \right]$ 105 150 200 250 mm</p> <p>... surface SA = black anodised ME = natural colour anodised MS = case profile SA, cover panels ME</p> <p>... way of fixation (optional) KL = fixing of mounting rail LS = mounting strap set</p> <p>... accessories (optional) BL = bottom panel with ventilation slots</p>		

* accessories mounting set BFS → M 6

Profile sold by the metre → M 8

Case with cooling fins: Embedded case



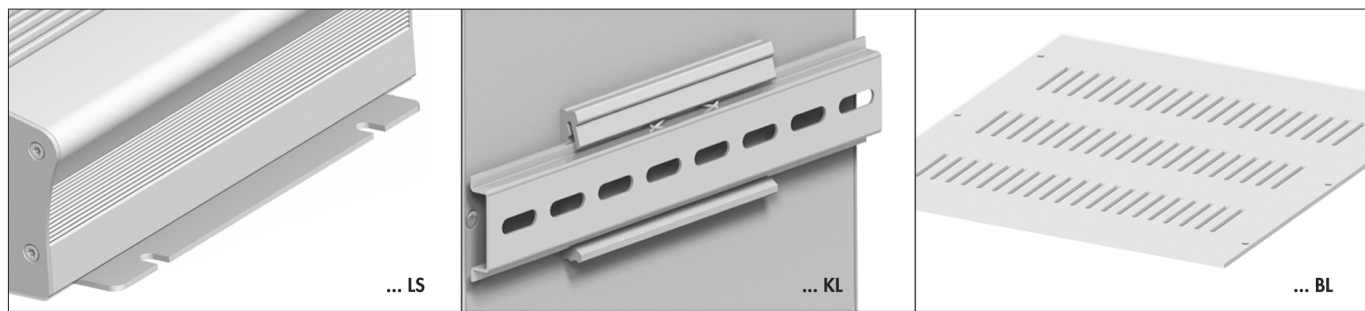
EMB 215 ...

please indicate:

- ... \rightarrow 150 200 250 mm
- ... surface
 - SA = black anodised
 - ME = natural colour anodised
 - MS = case profile SA, cover panels ME
- ... way of fixation (optional)
 - KL = fixing of mounting rail
 - LS = mounting strap set
- ... accessories (optional)
 - BL = bottom panel with ventilation slots

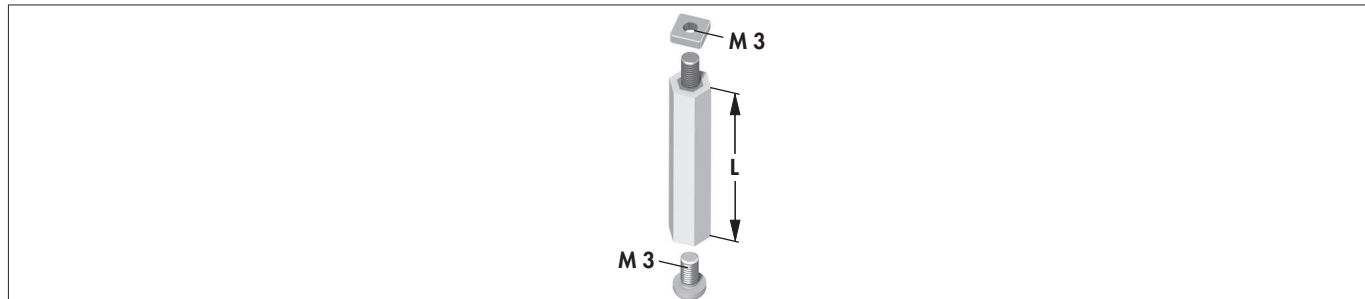
* accessories mounting set BFS \rightarrow M 6

Profile sold by the metre \rightarrow M 8



Accessory for the embedded case

Accessory for the embedded case, insulating



art. no.	dim. [mm] L	art. no.	dim. [mm] L	art. no.	dim. [mm] L
BFS 15	15	BFS 25	25	BFS 35	35
BFS 20	20	BFS 30	30	BFS 40	40

A
B
C
D
E
F
G
H
I
K
L
M
N

A

Case with cooling fins: Embedded case

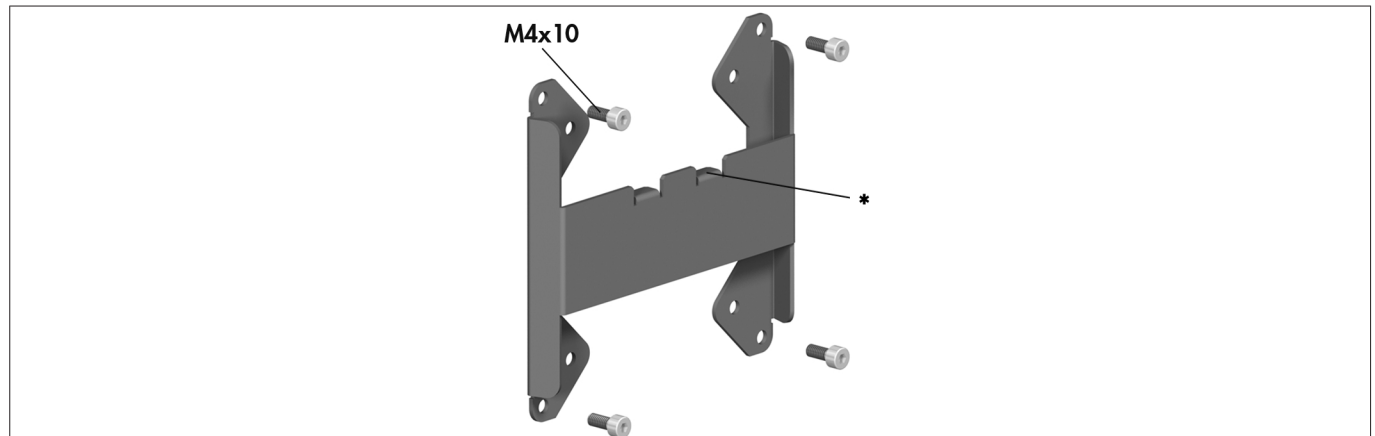
B

Accessory for the embedded case

suitable for VESA MIS-D 75/100; suitable for mounting rail KL 35 100

C

D



E

art. no.	details
MH 135 ...	for EMB 135 ... KL & EMB 175 ... KL
please indicate:	... surface SA = black anodised ME = natural colour anodised

F

G

H

I

K

L

M

N

Heat dissipating case

Profile in meter lengths

art. no.	dim. [mm] lengths	suitable for	page
GB 96 1000 ...	1000	EMB 215 ...	6
GB 304 1000 ...	1000	EMB 135 ...	5
GB 304 1000 ...	1000	EMB 175 ...	5

A

B

C

D

E

F

G

H

I

K

L

M

N