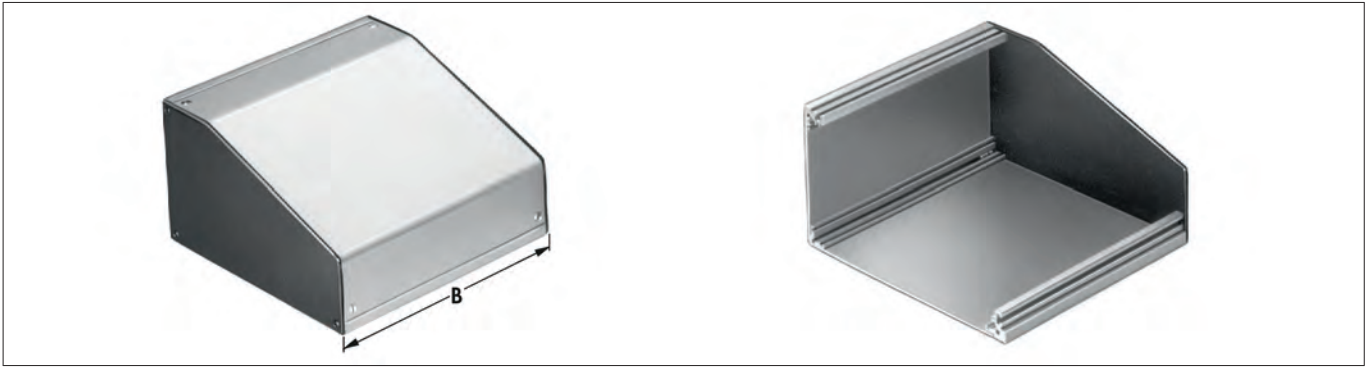


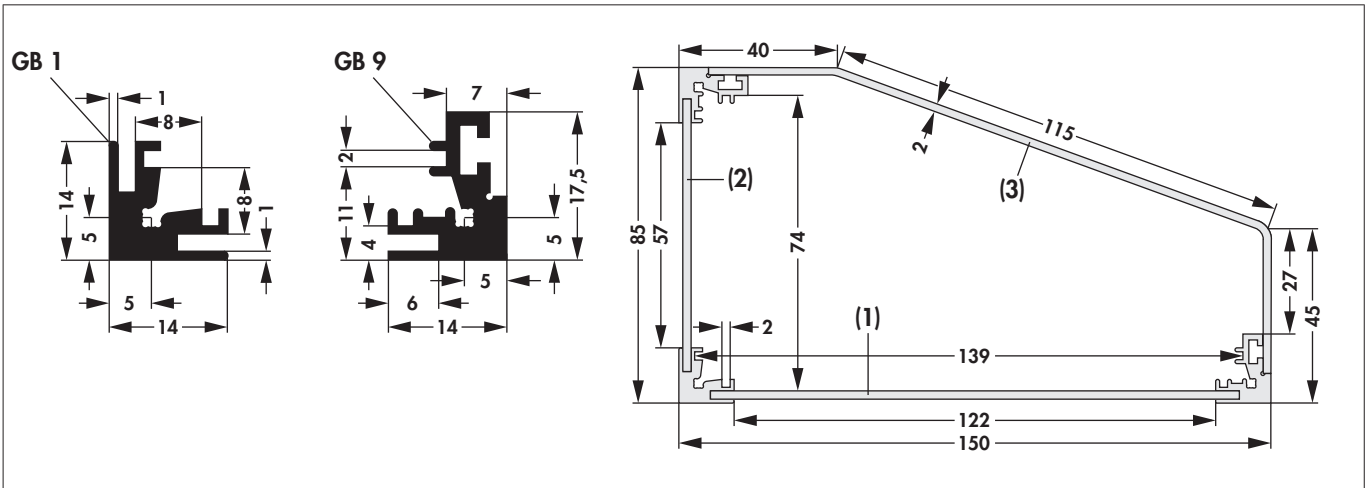
Desk consoles



- the profiles have internal guide slots for inserting the PCBs or similar components
- supplied as demounted kit incl. cover plates and mounting material
- **assembly time:** 1-2 minutes
- **material:** aluminium profile and sheet (thickness 2 mm)
- special dimensions, drillings and surface treatments upon request

contents of delivery:

- bottom panel natural colour anodised (1)
- rear panel natural colour anodised (2)
- front panel natural colour anodised (3)
- 2 side panels black anodised
- 2 struts extrusion with guide slots and T-grooves for M 3
- 1 strut corner extrusion, screws, nuts



art. no.	dim. [mm]
	B
PG 150 SME	150
PG 250 SME	250
PG 300 SME	300

Profile sold by the metre → M 13

