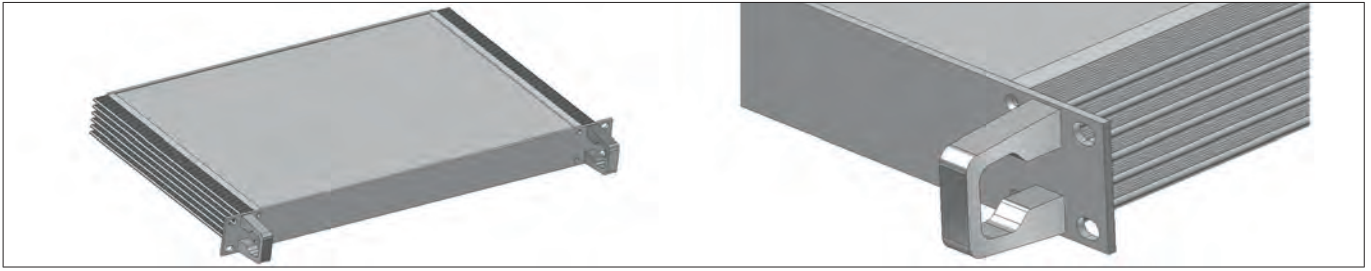


19" plug-in box with cooling fins



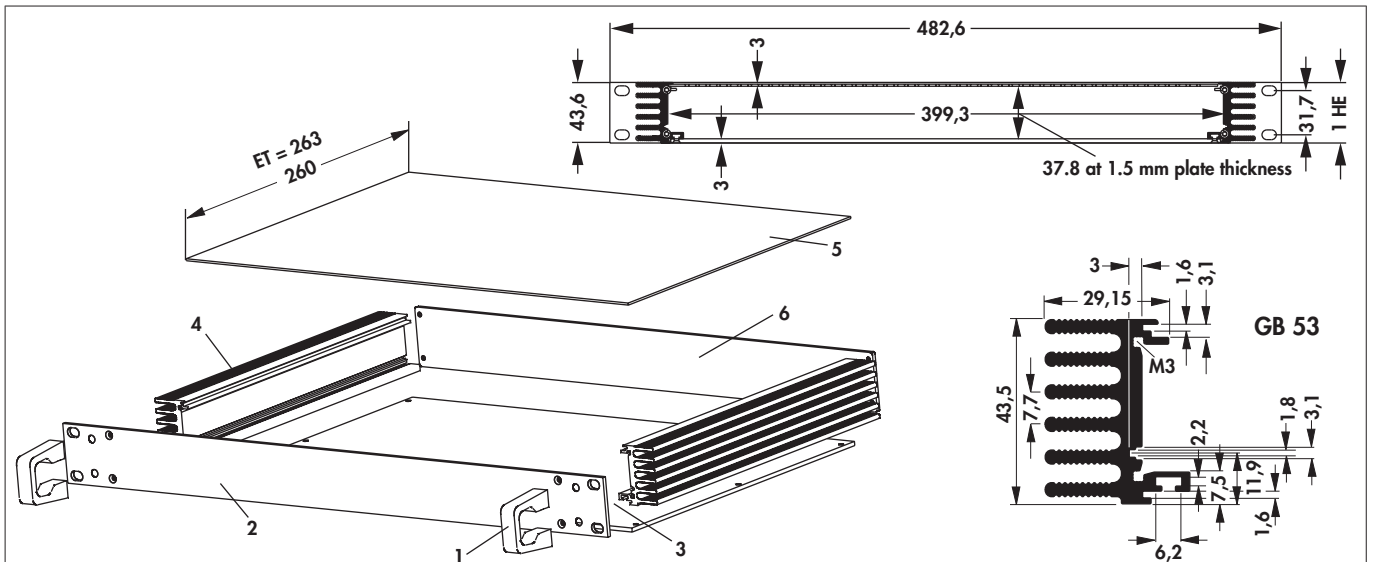
- space-saving 1 U 19" plug-in box for insertion of non-standardised components or circuit boards
- with side panels made of extruded cooling fin profiles with removable top and bottom panel made of aluminium
- integrated sliding-screw channels in the profiles permit the insertion of a mounting panel
- **contents of delivery:** front panel (3 mm), two side panels made of aluminium profile, bottom plate (3 mm), cover plate (3 mm), rear panel (3 mm), mounting material

ET (insert depth) = 263 mm

TE (width unit) = 84 mm

1 = handles; **2** = front plate (3 mm); **3** = bottom panel (3 mm); **4** = side panel profile; **5** = cover panel (3 mm);

6 = rear panel (3 mm)



art. no.	HP	dim. [mm]	ET
KRE 1 84 260 G	84		263
surface:	natural colour anodised		