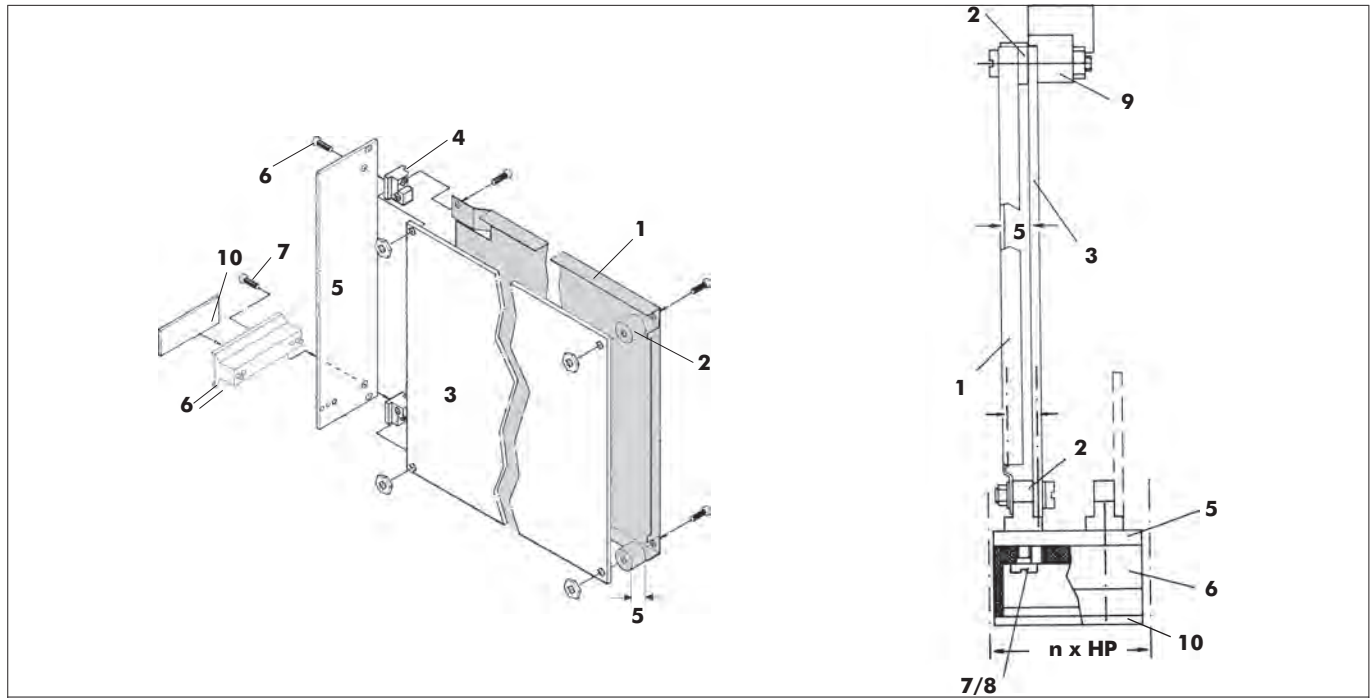


PCB cover 3 U

PCB cover made of aluminium

- suitable for part front panels with SMD card brackets **TFP KG R** and for all part front panels with printed circuit brackets **VS 7**
- for mechanical protection and electrical screening of components

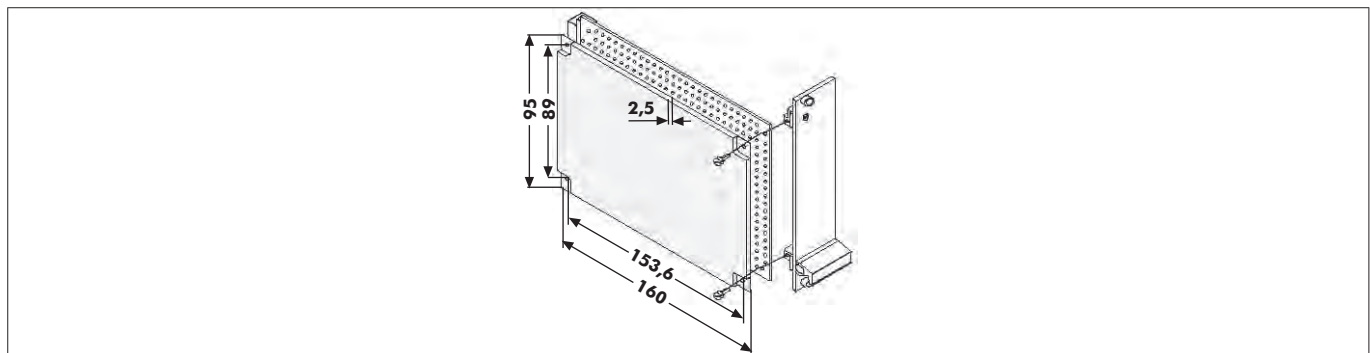
1 = circuit board cover; 2 = spacer; 3 = circuit board; 4 = circuit board holder **VS 7**; 5 = front plate; 6 = plastic handle **GLK**
 7 = cheese head screw M 2.5 x 12; 8 = vertical lens screw M 2.5 x 8; 9 = connector; 10 = insert strip



art. no.	
LD 3 160	
surface:	natural colour anodised
material:	aluminium
material thickness:	1 mm

PCB cover made of plastic

- mechanical protection of soldered side
- für Eurocards 100 x 160 mm
- suitable for all brackets



art. no.	version	for Eurocards [mm]
LDK 3 160	without coating	100x160
LDK 3 160 E	with conductive outer coating	
class of inflammability:	UL 94 V-0	
dielectric strength:	20 kV	
material:	plastic	
heat disortion:	130 °C	
material thickness:	1 mm	



A
B
C
D
E
F
G
H
I
K
L
M
N