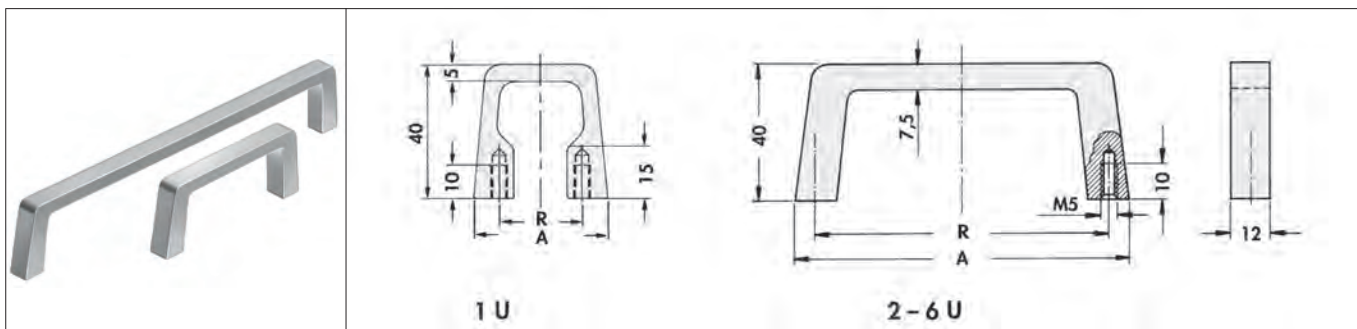


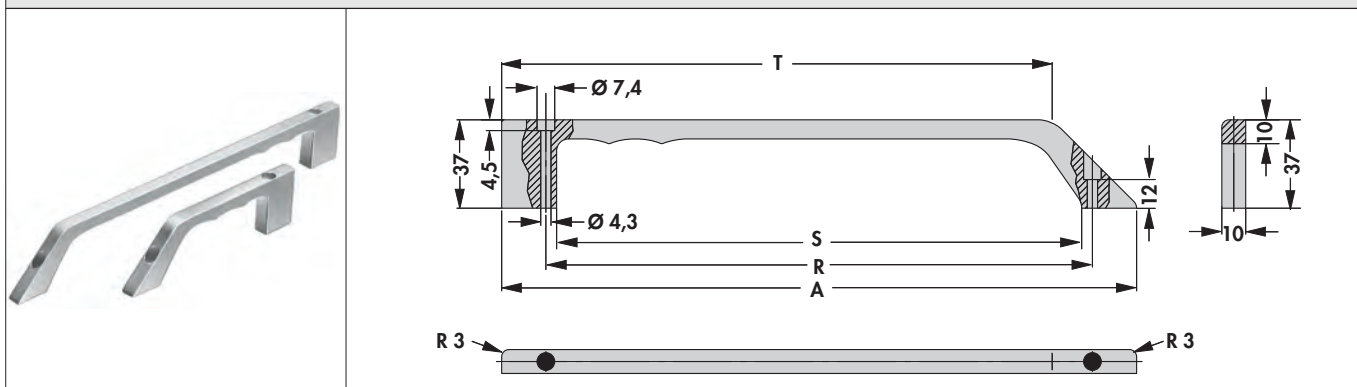
19" rack handles

- rack handles for 19" subracks, bench cases and other cases
- very robust version made of solid aluminium profile



art. no.	dim. [mm]	
	A	R
BGT 0184 7 ...	41	25
BGT 0284 7 ...	69	55
BGT 0384 7 ...	101	88
BGT 0484 7 ...	134	120
BGT 0584 7 ...	194	180
BGT 0684 7 ...	234	221

please indicate: ... surface
SA = black anodised
ME = natural colour anodised



art. no.	dim. [mm]			
	A	R	S	T
RAC G 3 SA	132.5	95.5	86.5	97.2
RAC G 6 SA	265.8	228.8	219.8	230.5

surface: black anodised
material: EN AW 6060 T66 (AlMgSi 0.5)

