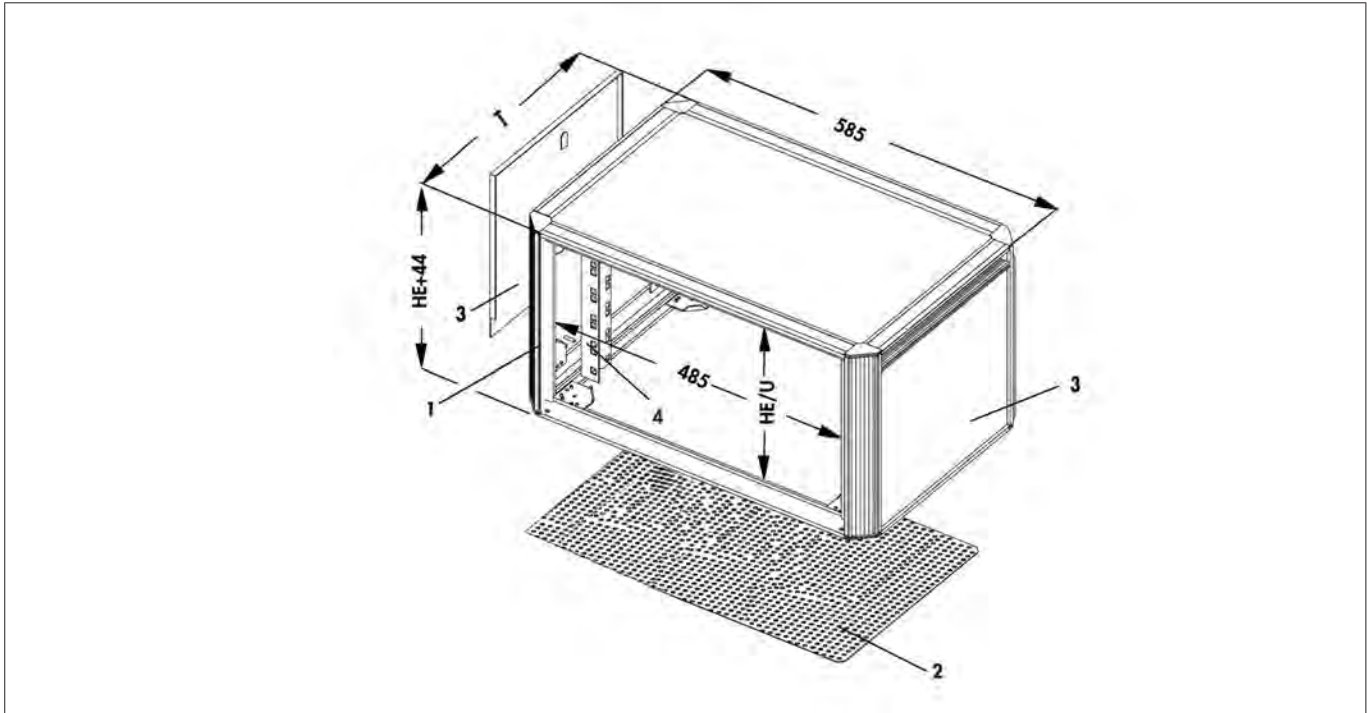


19" cases PLUSLINE

- basic case with modular rails 19" variable in depth for application of built-in parts, colour **ultramarine blue (RAL 5002)**
- bench case with recessed grips
- side panels detachable
- possibility to mount shelves, intermediate shelves with/without telescopic rails
- suitable for steady-state use
- additional payload max. 100 kg
- 19" assembly dimensions according to IEC 297-1 (DIN 41494)
- all accessories available on request
- **contents of delivery:** basic case, assembled

1 = basic case; 2 = bottom with ventilation slots (**option BL**); 3 = firmly mounted side panel (**PL H**); 4 = 19" grid struts



art. no.	U	dim. [mm]
		T
PL H 06 320 UL ...	6	320
PL H 09 440 UL ...	9	440
PL H 12 380 UL ...	12	380
PL H 12 500 UL ...		500
PL H 24 500 UL ...	24	

please indicate: ... accessories (optional)  
**BL = bottom panel with ventilation slots**