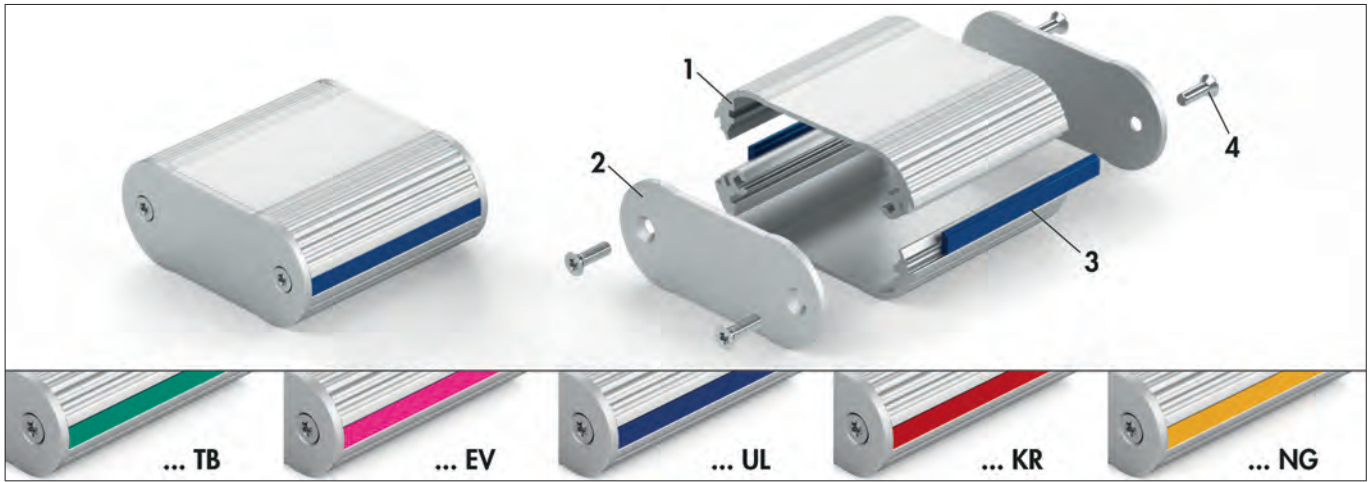


Miniature case "TONDO"



contents of delivery:

- 1 = 2 x housing halves
- 2 = 2 x cover panel
- 3 = 2 x plastic design strip
- 4 = mounting material

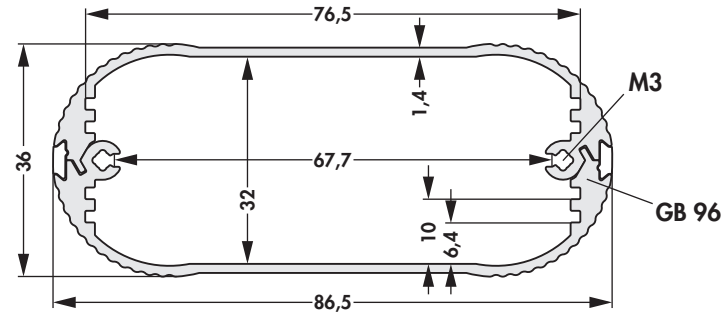
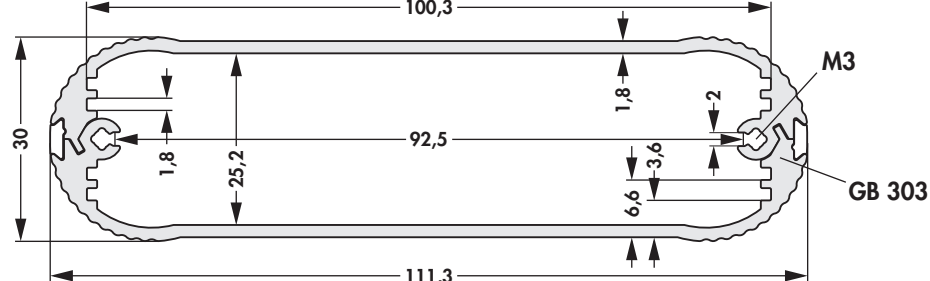

- handy miniature case made of aluminium profiles which are plugged against each other, cover panels of 2 mm thickness and lateral integrated plastic design strips
- lateral guide grooves for insertion of PCBs with a thickness of 1.6 mm, with 1.8 mm thickness centred in the area of the thread channels
- integration possibilities for foil keypads
- design strips are available in the colours **turquoise blue (similar to RAL 5018)**, **heather violet (similar to RAL 4003)**, **ultramarine blue (similar to RAL 5002)**, **carmine red (similar to RAL 3002)** and **daffodil yellow (similar to RAL 1007)**
- special treatments, special lengths, surfaces and colours upon request
- supplied as a demounted kit

art. no.	
TON 49 20 ...	
art. no.	
TON 61 26 ...	
please indicate:	<p>... $\left \right$ 50 80 100 120 160 200 220 mm</p> <p>... surface SA = black anodised ME = natural colour anodised</p> <p>... colour design strip EV = heather violet KR = carmine red NG = daffodil yellow TB = turquoise blue UL = ultramarine blue</p>

Profile sold by the metre → M 45



Miniature case "TONDO"

<p>art. no.</p> <p>TON 86 36 ...</p>	
<p>art. no.</p> <p>TON 111 30 ...</p>	
<p>please indicate:</p> <p>...  50 80 100 120 160 200 220 mm</p> <p>... surface SA = black anodised ME = natural colour anodised</p> <p>... colour design strip EV = heather violet KR = carmine red NG = daffodil yellow TB = turquoise blue UL = ultramarine blue</p>	

Profile sold by the metre → M 45



A
B
C
D
E
F
G
H
I
K
L
M
N