
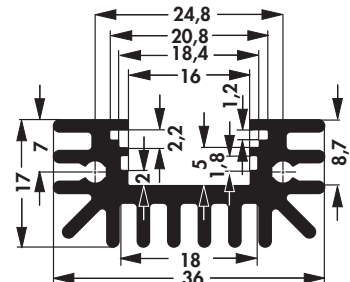
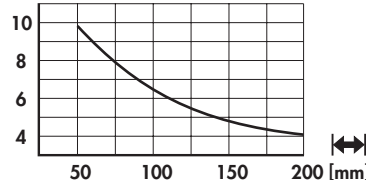

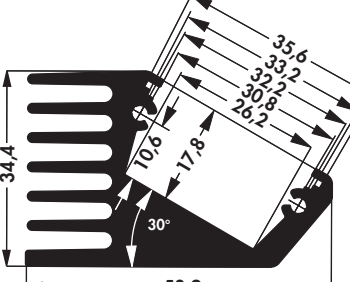
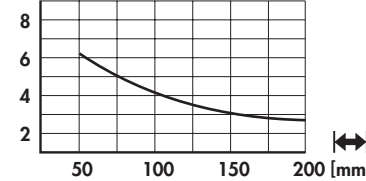

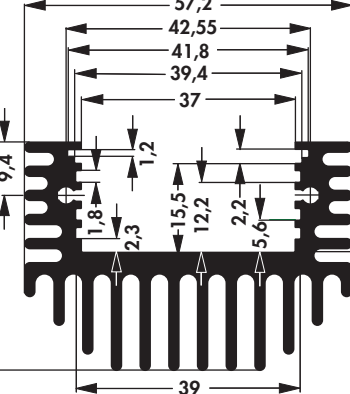
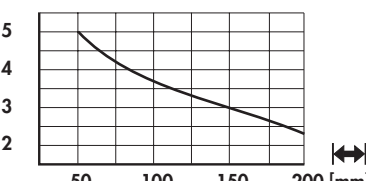


Cases for LED-module

- aluminium case with cooling fins for mounting flexible and fixed LED Line Modules
- insertion possibility of metal sheets and sheets of Plexiglas
- customer specified designs, lengths and treatments upon request
- delivery as demounted kit including 2 mm cover panels and mounting material

art. no. G LED 1 ...			SK LED 1 R_{th} [K/W] 
art. no. G LED 2 ...			SK LED 2 R_{th} [K/W] 
art. no. G LED 3 ...			SK LED 3 R_{th} [K/W] 
<p>please indicate: ... $\left[\text{mm} \right]$... cover plate (optional) ... surface</p> <p>50 80 100 mm A1 = 1 mm plate thickness SA = black anodised A2 = 2 mm plate thickness ME = natural colour anodised</p>			

Profile in metre lengths → M 40

ELITALIA

tel. 02.33.61.16.26 www.elitaliaweb.it
fax 02.26.26.10.09 info@elitaliaweb.it

M 39

cable bushings → M 52
Ventilation-frames → M 53
Combination cases → M 11 - 17
19" plug-in boxes with cooling fins → N 12

Design case Frame
Design case Secco
Design case Chac
Design case Eurotainer

→ M 43 - 44
→ M 42
→ M 45
→ M 46

Profile in meter lengths

art. no.	dim. [mm] lengths	suitable for	page
G 118 1000 ...	1000	G 118 ...	36
GB 53 1000 ...	1000	KRG ...	38
KOS 5 1000 ...	1000	KRH 6 KOS 5 ...	37
KRH 6 1000 ...	1000	KRH 6 KOS 5 ...	37
SK 61 1000 ...	1000	WAG ...	35
SK LED 1	1000	G LED 1 ...	39
SK LED 2	1000	G LED 2 ...	39
SK LED 3	1000	G LED 3 ...	39
please indicate:	... surface SA = black anodised ME = natural colour anodised		


 tel. 02.33.61.16.26 www.elitaliaweb.it
 fax 02.26.26.10.09 info@elitaliaweb.it
19" plug-in boxes with cooling fins
cable bushings
Ventilation-frames
Combination cases

 → **N 12**
 → **M 52**
 → **M 53**
 → **M 11 - 17**
Design case Eurotainer
Design case Chac
Design case Secco
Design case Frame

 → **M 46**
 → **M 45**
 → **M 42**
 → **M 43 - 44**
M 40

A

B

C

D

E

F

G

H

I

K

L

M

N