
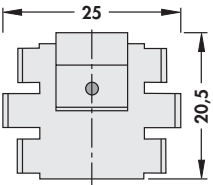
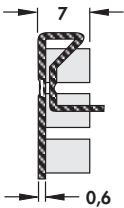

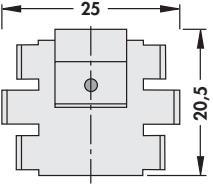
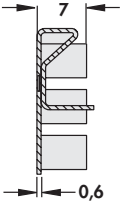
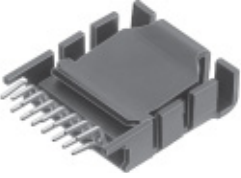
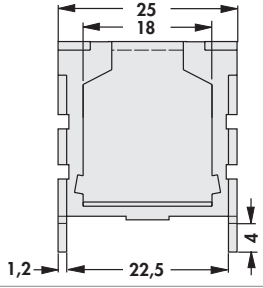
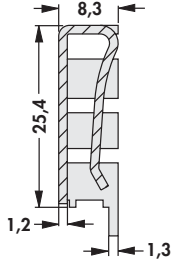


Attachable heatsinks


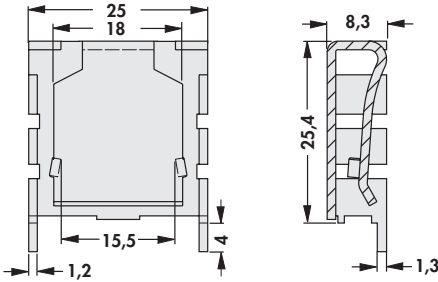
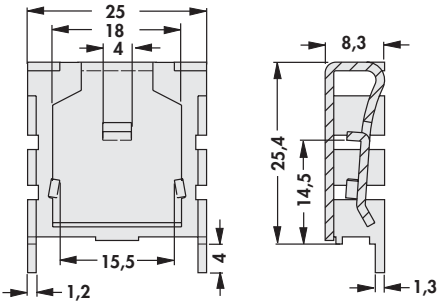
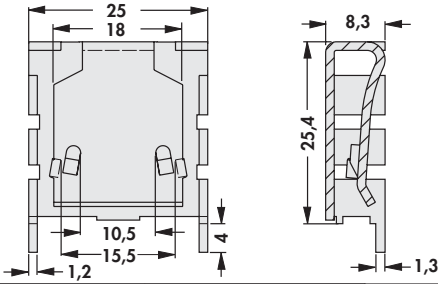
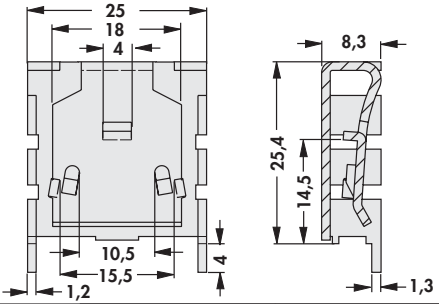
		
art. no.	R_{th} [K/W]	⌀
FK 220 SA 220	25	TO 220
material:	aluminium	
surface:	black anodised	


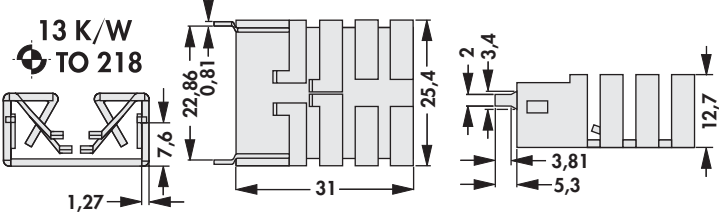
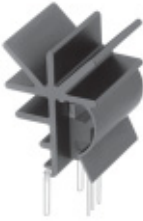
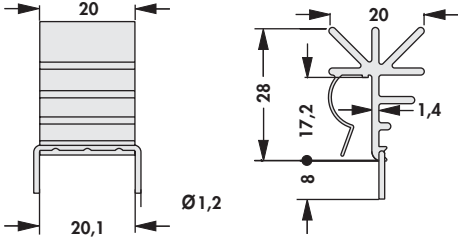
– for transistors with thin bottom thickness (0.5 mm)

		
art. no.	R_{th} [K/W]	⌀
FK 258 SA 220	25	TO 220
material:	aluminium	
surface:	black anodised	

		
art. no.	R_{th} [K/W]	⌀
FK 224 ... P SIP	18	P SIP
please indicate:	... surface SA = black anodised MI = solderable surface	
material:	aluminium	

Attachable heatsinks

	<p>FK 224 ... 218 1</p> 		<p>FK 224 ... 218 2</p> 			
	<p>FK 224 ... 220 1</p> 		<p>FK 224 ... 220 2</p> 			
	art. no.	R_{th} [K/W]	\varnothing	art. no.	R_{th} [K/W]	\varnothing
	FK 224 ... 218 1	18	TO 218	FK 224 ... 220 1	18	TO 220
	FK 224 ... 218 2	18	TO 218	FK 224 ... 220 2	18	TO 220
<p>please indicate: ... surface SA = black anodised MI = solderable surface</p>						
material:		aluminium				

art. no.		<p>13 K/W \varnothing TO 218</p> 
FK 241 SA 218 V	with tin-plated soldering lug for direct soldering onto circuit board, for vertical installation	
art. no.		<p>9,8 K/W \varnothing TO 220</p> 
FK 248 SA 220		
material:		aluminium
surface:		black anodised, solder pins tin plated