
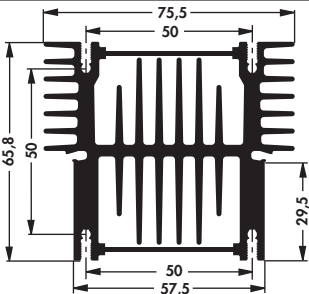
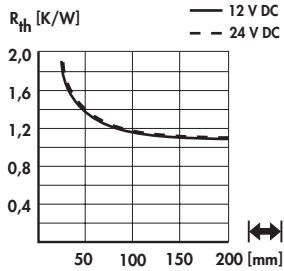



## Cooling aggregates with axial fan

### Heatsink-cooling aggregates

- with grooves for lock-in retaining springs THFU → A 119
- screw-in solder pin M 3 (**art. no.: ELS 3**)
- different lengths, special designs and machinings according to customer specifications
- different surfaces, fan types and fan voltages upon request

<b>art. no.</b>			
<b>LA 27 K ...</b>			
<b>please indicate:</b>	... 	<b>... fan type</b>	
	50 75 84 94 100 125 150 mm	12 = 12 V DC 24 = 24 V DC	

### Technical data of the fans

	... 12	... 24
<b>type</b>	ebmpapst, ball bearing	ebmpapst, ball bearing
<b>dimensions</b>	60x60x25 mm	60x60x25 mm
<b>tension</b>	12 V DC	24 V DC
<b>power inout</b>	2.9 W	2.9 W
<b>max. air volume</b>	56 m <sup>3</sup> /h	56 m <sup>3</sup> /h
<b>temperature range</b>	-20°C... +70°C	-20°C... +70°C
<b>noise level</b>	41 dB(A)	41 dB(A)
<b>speed</b>	6,800 min <sup>-1</sup>	6,850 min <sup>-1</sup>
<b>weight</b>	66 g	66 g
<b>failure rate (L<sub>10</sub>)</b>	L <sub>10</sub> < 60,000 h (40°C)	L <sub>10</sub> < 60,000 h (40°C)