
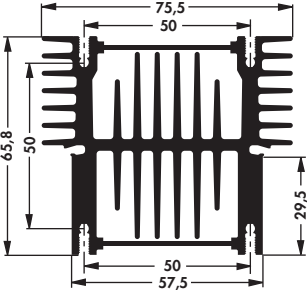
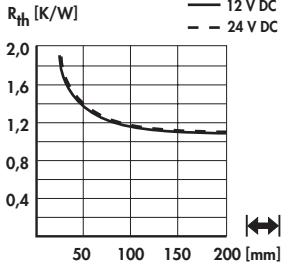



Heatsink-cooling aggregates

- screw-in solder pin M3 (art. no.: ELS 3)
- different lengths, special designs and machinings according to customer specifications
- different surfaces, fan types and fan voltages upon request

art. no.			
LA 27 K ...	with grooves for lock-in retaining spring for transistors THFU → A 149		
please indicate:	... 	... fan type	
	50 75 84 94 100 125 150 mm	12 = 12 V DC	24 = 24 V DC

Technical data of the fans

	... 12	... 24
type	ebmpapst 612 NHH-118	ebmpapst 614 NHH-119
dimensions	60x60x25 mm	60x60x25 mm
tension	12 V DC	24 V DC
power in/out	2.9 W	2.9 W
max. air volume	56 m ³ /h	56 m ³ /h
temperature range	-20°C... +70°C	-20°C... +70°C
noise level	41 dB(A)	41 dB(A)
speed	6,800 min ⁻¹	6,850 min ⁻¹
weight	66 g	66 g
failure rate (L₁₀)	L ₁₀ > 60,000 h (40°C)	L ₁₀ > 60,000 h (40°C)