
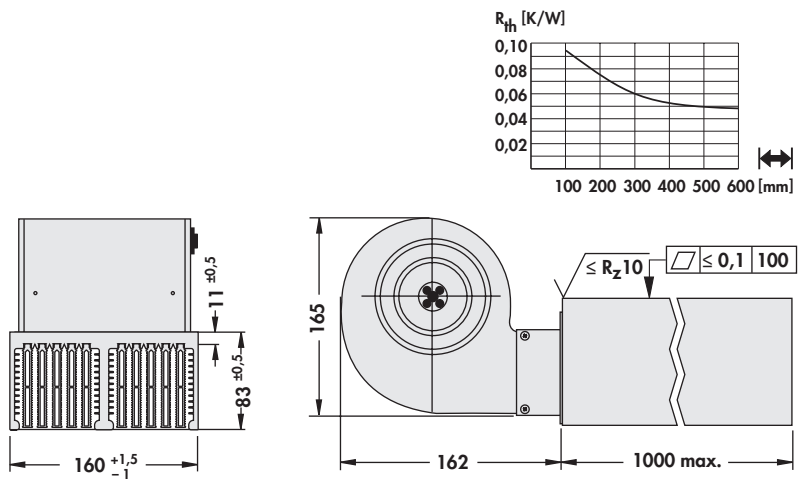

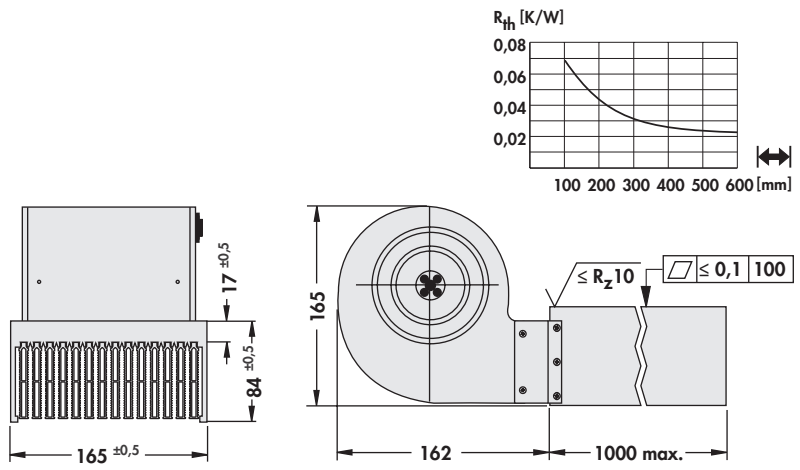



High performance cooling aggregate

- optimised air flow due to hollow fin geometrie
- very good thermal performance
- optimized high performance construction with radial fan
- milled flat mounting surface for semiconductor
- cover plate for fin side upon request
- additional customized treatment upon request
- fan condenser: **art. no. LAHLR K 2**


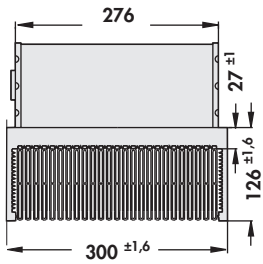
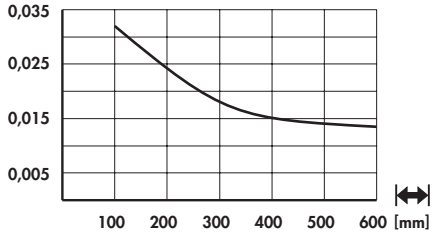
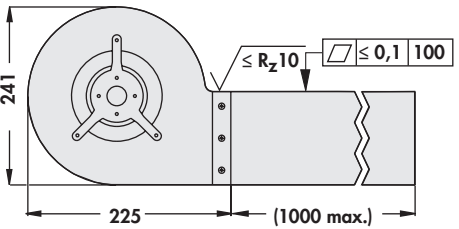

<p>art. no.</p> <p>LA 25 ...</p>		
<p>art. no.</p> <p>LA 26 ...</p>		
<p>please indicate: ...  200 300 400 500 600 mm</p>		

Technical data of the fans

	... 230
type	ebmpapst, radial blower with grid, double sided absorption
bearing type	ball bearing
discharge air flow	435 m ³ /h
rotation speed	1,950 min ⁻¹
power inout	87 W
current consumption	0.39 A
temperature range	-25°C... +40°C
circuit voltage	230 V AC
motor condenser	2 μF/400 V
noise level	58 dB(A)
weight	1,500 g

High performance cooling aggregate

- optimised air flow due to hollow fin geometrie
- very good thermal performance
- optimized high performance construction with radial fan
- milled flat mounting surface for semiconductor
- cover plate for fin side upon request
- additional customized treatment upon request
- fan condenser: **art. no. LA 20 K 6**

art. no.			<p>R_{th} [K/W]</p> 
LA 20 ...			
please indicate:	<p>...  200 300 400 500 600 mm</p>		

Technical data of the fans

	... 230
bearing type	ball bearing
type	ebmpapst, radial blower with grid, double sided absorption
discharge air flow	1,310 m ³ /h
rotation speed	1,350 min ⁻¹
power inout	185 W
current consumption	0.81 A
circuit voltage	230 V AC
temperature range	-25°C... +70°C
motor condenser	6 μF
noise level	64 dB(A)
weight	5,900 g