

NOTES:  
 Rated Current:3.0 AMP.  
 Contact Resistance:20mΩ Max.  
 Withstand Voltage:500V AC  
 Insulation Resistance:1000MΩ Min.  
 Operation Temperature:-40°C to +105°C

Contact Material:Phosphor Bronze(C5191)  
 Contact Plating: Sn over Ni  
 Main Body Material: LCP

## Ordering Information

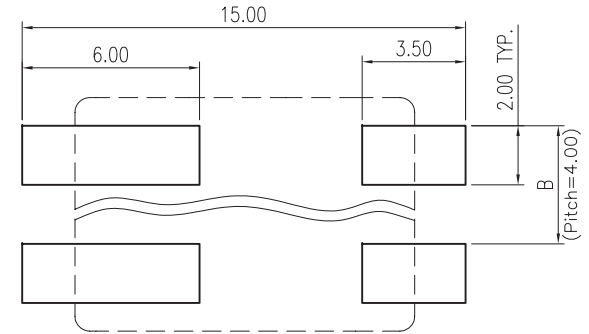
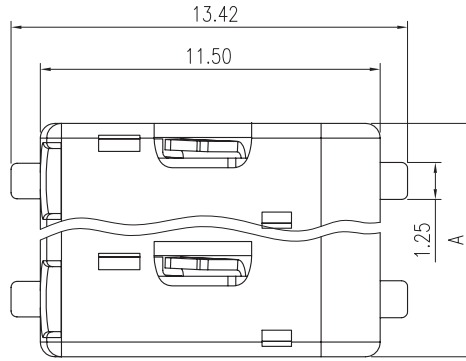
400W1B - X X X - X

No.of Pins  
 1: 1Pin  
 2: 2Pin  
 3: 3Pin

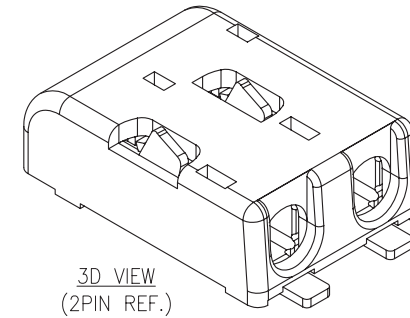
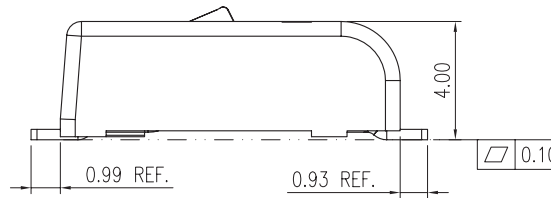
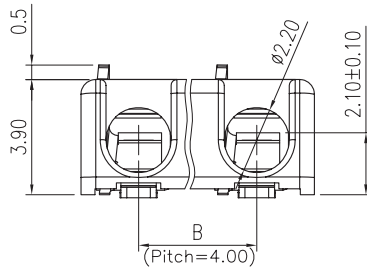
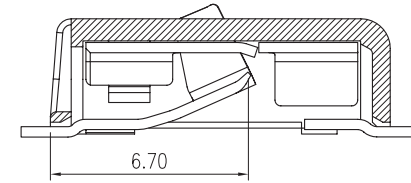
Plating  
 T: Matte Tin

Insulator Colour  
 W:White

Package  
 T: Tube  
 R: Tape & Reel



Recommended P.C.B Layout(Top Side)  
 (PCB BOARD TOLERANCE±0.05)



3	11.95	8.00
2	7.90	4.00
1	3.95	/
PIN	A	B

REV	DATE	MODIFICATION DESCRIPTION	CHANGE	OPERATION	DRAW	DATE	SCALE	Fit	PART NO.
				X.X ±0.40	Huang	2014.11.18	UNIT	mm	400W1B - xTW - x
				X.XX ±0.25	CHECK	DATE	SIZE	A4	TITLE:
				X.XXX ±0.15	APPROVE	DATE	SHEET	1/1	4.0Pitch LED CONN.
				Angle ± 3'			PROJ.		Customer NO.
				DIM TOL					



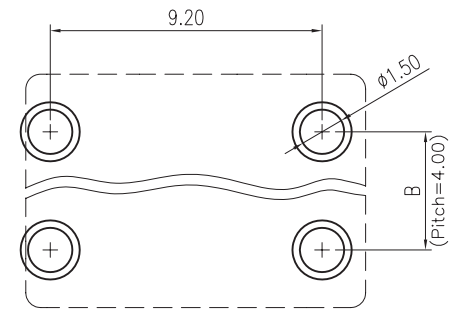
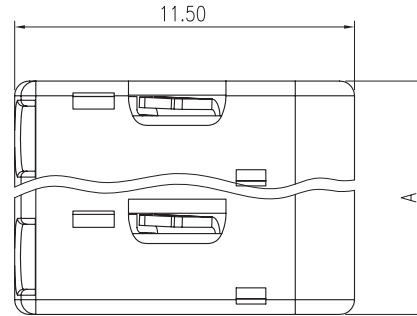
NOTES:  
 Rated Current:3.0 AMP.  
 Contact Resistance:20mΩ Max.  
 Withstand Voltage:500V AC  
 Insulation Resistance:1000MΩ Min.  
 Operation Temperature:-40°C to +105°C

Contact Material:Phosphor Bronze(C5191)  
 Contact Plating: Sn over Ni  
 Main Body Material: LCP

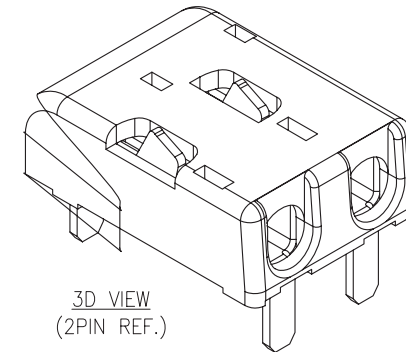
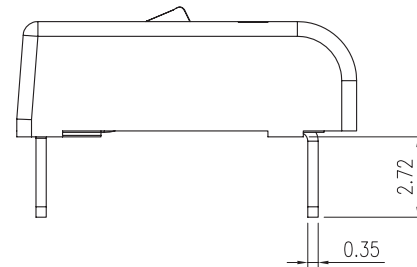
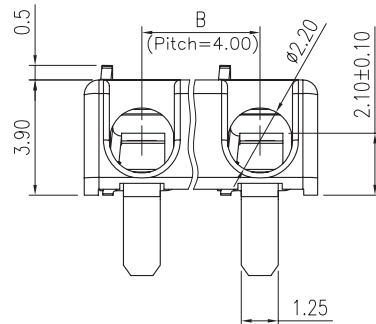
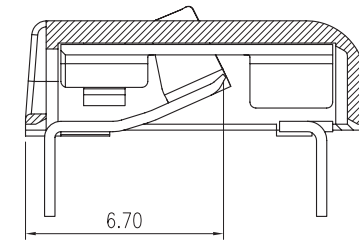
## Ordering Information

400W1A - X X X - X

No. of Pins	Insulator Colour	Package
1: 1Pin	W: White	T: Tube
2: 2Pin	T: Matte Tin	R: Tape & Reel
3: 3Pin		



Recommended P.C.B Layout(Top Side)  
 (PCB BOARD TOLERANCE $\pm 0.05$ )



3D VIEW  
 (2PIN REF.)

3	11.95	8.00
2	7.90	4.00
1	3.95	/
PIN	A	B

REV	DATE	MODIFICATION DESCRIPTION	CHANGE	OPERATION	DRAW	DATE	SCALE	Fit	PART NO.
				X.X	±0.40	2014.11.18	UNIT	mm	400W1A - x TW - x
				X.XX	±0.25	DATE	SIZE	A4	TITLE:
				X.XXX	±0.15	DATE	SHEET	1/1	4.0Pitch LED CONN.
A0	2014.11.18	NEW		Angle	± 3'	DATE	PROJ.		Customer NO.
				DIM	TOL				

