

Female headers

Precision contacts, plug pins Ø 0.5 mm

art. no.			art. no.		
MK 01 ...			MK 201 ...		
art. no.			art. no.		
MK 17 ...			MK 217 ...		
art. no.			art. no.		
MK 12 X 2 ...			MK 212 X 2 ...		

please indicate: ... no. of contacts one row 1 - 50 two rows 2 - 100 ... surface of contact G = gold-plated Z = tin-plated

--	--	--	--


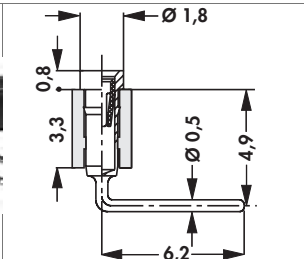

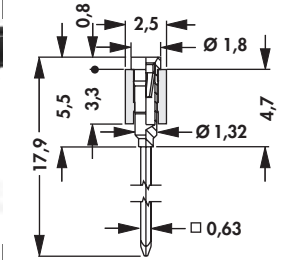

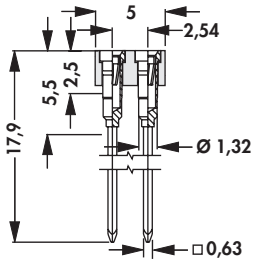
art. no.	dim. [mm]	art. no.	dim. [mm]
	X		X
MK 13 X 1 ...	5.9	MK 213 X 1 ...	5.9
MK 13 X 2 ...	8.9	MK 213 X 2 ...	8.9

please indicate: ... no. of contacts one row 1 - 50 two rows 2 - 100 ... surface of contact G = gold-plated Z = tin-plated

contact spring: gold-plated


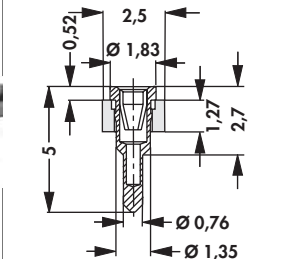

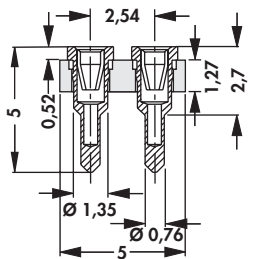

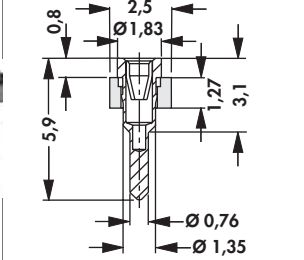

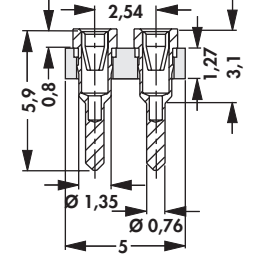
Female headers

Precision contacts for pin cross section Ø 0.5 mm

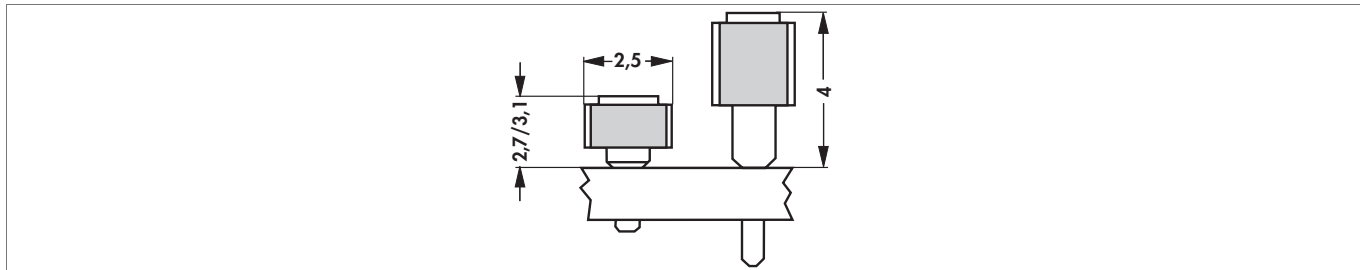
<p>art. no.</p> <p>MK 06 ...</p>			
<p>art. no.</p> <p>MK 07 ...</p>			<p>art. no.</p> <p>MK 207 ...</p>  
<p>please indicate: ... no. of contacts ... surface of contact</p> <p> one row 1 - 50 G = gold-plated</p> <p> two rows 2 - 100 Z = tin-plated</p>			

Low profile, less than 2.7/3.1 mm - with contact spring for Ø 0.5 mm pins

- solder and plug pin Ø 0.76 mm

<p>art. no.</p> <p>MK LP 18 ...</p>			<p>art. no.</p> <p>MK LP 218 ...</p>  
<p>art. no.</p> <p>MK LP 19 ...</p>			<p>art. no.</p> <p>MK LP 219 ...</p>  
<p>please indicate: ... no. of contacts ... surface of contact</p> <p> one row 1 - 50 G = gold-plated</p> <p> two rows 4 - 100 Z = tin-plated</p>			
<p>contact spring:</p>		<p>gold-plated</p>	

Low profile: 2.7/3.1 mm; standard profile: 4 mm

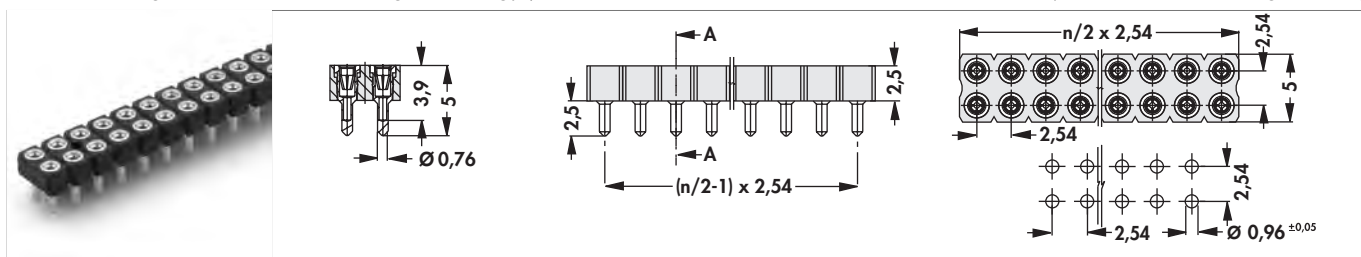


A
B
C
D
E
F
G
H
I
K
L
M
N

Female headers

Precision contacts in THR-soldering technology for pin cross section Ø 0.5 mm

- **THR:** Through-Hole-Reflow-soldering technology (connector to be soldered with modified insert technique in Reflow-soldering method)



art. no.

MK 228 THR ...

please indicate:

... no. of contacts
two rows 2 - 40

... surface of contact

G = gold-plated

Z = tin-plated

contact spring:

gold-plated

G 47

Direct female connectors
Single precision contacts
Jumpers
Single contacts metal strip

→ **G 75**
 → **F 17 - 18**
 → **G 76 - 77**
 → **G 49**

High-prec.male head.soldering techn. → **G 3 - 17**
High-precis.male head.in SMD mount. → **G 18**
Jumper links 2 & 2.54 THT → **F 15**
Technical data → **G 78 - 84**

Technical data PCB connectors

	MK ..., MK LP ...	SL ..., SL ... THR, SLK ... , SL LP ...	SLU ...	SL KA 3 ..., SL KG 3 ...
contact material	CuZn-alloy	CuSn alloy		CuZn-alloy
surface contact / contact sleeve	Ni+ $\geq 0.2\mu\text{m Au}$ / Ni+4... $6\mu\text{m Sn}$		Ni+ $0.2\mu\text{m Au}$ (selective) / Ni+4... $6\mu\text{m Sn}$	Ni+ $\geq 0.2\mu\text{m Au}$ / Ni+4... $6\mu\text{m Sn}$
shock resistance	50 g			
volume resistance	$\leq 10\text{ m}\Omega$	$\leq 5\text{ m}\Omega$	$\leq 10\text{ m}\Omega$	$\leq 20\text{ m}\Omega$
vibration resistance max.	15 g			
capacity between two adjacent contacts	$\leq 0,4\text{ pF}$			
nominal current	1.5 A	3 A		
nominal voltage	60 V DC	250 V AC	100 V DC	250 V AC
test voltage	1000 V	2000 V	1000 V	
insulating body material	PA 4.6. GF			
temperature range	-40°C... +163°C / (260°C/10 s)			-40°C... +163°C / (260°C/5 s)
class of flammability	UL 94 V-0			
specific insulation resistance	$> 10^7\ \Omega\cdot\text{m}$			

	SLP 1 ..., SLP 2 ..., SLUP 31 ...	SLY ...	SLM N ..., SLV N ..., SLV W ...	SLR ...
contact material	CuSn alloy		CuZn-alloy	
surface contact / contact sleeve	Ni+ $\geq 0.2\mu\text{m Au}$ / Ni+4... $6\mu\text{m Sn}$			
volume resistance	$\leq 10\text{ m}\Omega$	$\leq 5\text{ m}\Omega$		$\leq 20\text{ m}\Omega$
nominal current	3 A		1.5 A	1 A
nominal voltage	250 V AC	100 V DC	125 V AC	100 V AC / 150 V DC
test voltage	1000 V	500 V	300 V	500 V
insulating body material	PA 4.6. GF			PCT, GF
temperature range	-40°C... +163°C / (260°C/10 s)			-40°C... +105°C / (260°C/10 s)
class of flammability	UL 94 V-0			
specific insulation resistance	$> 10^7\ \Omega\cdot\text{m}$			

Technical data PCB connectors

	MK 06 ..., MK 07/207 ..., MK 12/212 ..., MK 13/213 ..., MK 17/217 ...	MK 01/201 ..., MK 220 SMD ..., MK 228 THR ..., MK 23/223 ..., MK 25 SMD ..., MK LP 18 ..., MK LP 19 ..., MK LP 218 ..., MK LP 219 ...	PO A ...	SIL 1 ..., SIL 3 ...
contact material	CuZn-alloy			
surface contact / contact sleeve	Ni+4...6µm Sn		Ni+≥0.2µm Au/ Ni+4...6µm Sn	Ni+4...6µm Sn
inner contact spring material	CuBe-alloy			
inner contact spring surface	Ni+0,75µm Au		Ni+0,25µm Au	Ni+0,75µm Au
type internal spring	4-fingers			
plugability for circuit points	□0,22x0,25mm... □0,4x0,55mm/ Ø0,4...0,56mm			
insert depth	2.5...3.6mm		2.5...3.4mm	2.5...3.6mm
insertion / drawing force	1.8 N/1.4 N			
shock resistance	50 g			50 g
volume resistance	≤10 mΩ			≤10 mΩ
vibration resistance max.	15 g			15 g
capacity between two adjacent contacts	≤0,4 pF			≤0,4 pF
nominal current	1.5 A		3 A	1.5 A
nominal voltage	60 V DC		150 V DC	60 V DC
test voltage	1000 V		1000 V / 1 min.	1000 V
insulating body material	PA 4.6. GF			
temperature range	-40°C... +163°C/ (260°C/10 s)		-55°C... +125°C/ (260°C/10 s)	
class of flammability	UL 94 V-0			
specific insulation resistance	>10 ⁷ Ω·m			