

Male headers

□ 0.635 mm

art. no.	dim. [mm]		art. no.	dim. [mm]		art. no.	dim. [mm]	
	C	S		C	S		C	S
SL 10 SMD 040 ...	4.0	4	SL 10 SMD 062 ...	6.7	5	SL 10 SMD 104 ...	10.8	5
SL 10 SMD 052 ...	5.5		SL 10 SMD 078 ...	8.2		SL 10 SMD 130 ...	13.4	
please indicate:								
... no. of contacts one row 4 - 20			... surface of contact S = selective gold-plated G = gold-plated Z = tin-plated			... packing (optional) SM = bar magazine B SM = pick and place pad and bar magazine B TR = pick and place pad and tape and reel		

... packing (option) - additions:

SL 10 SMD 040 - 104 ... SM; ... B SM: 4-20 contacts

SL 10 SMD 040 - 062 ... B TR: 4-20 contacts, 250 pcs/reel

SL 10 SMD 078 ... B TR: 4-12 contacts, 250 pcs/reel

SL 10 SMD 104 - 130 ... B TR: 4-12 contacts, 150 pcs/reel

Option for automatic assembly

- reel diameter Ø 330 mm

... SM			SL 10 SMD ... SM	SL 10 SMD ... B SM
... B SM				
	SL 10 SMD 040-062 ... 4-12 ... B TR		SL 10 SMD 040-062 ... 13-20 ... B TR	
... B TR	SL 10 SMD 078 ... 4-12 ... B TR	SL 10 SMD 104 - 130 ... 4-12 ... B TR		

Male headers

□ 0.635 mm

art. no.	dim. [mm] C S	art. no.	dim. [mm] C S	art. no.	dim. [mm] C S
SL 11 SMD 040 ...	4.0 4	SL 11 SMD 062 ...	6.7 5	SL 11 SMD 104 ...	10.8 5
SL 11 SMD 052 ...	5.5 4	SL 11 SMD 078 ...	8.2 5	SL 11 SMD 130 ...	13.4 5
<p>please indicate:</p> <p>... no. of contacts ... surface of contact ... packing (optional)</p> <p>two rows 4 - 40 S = selective gold-plated SM = bar magazine</p> <p> G = gold-plated B SM = pick and place pad and bar magazine</p> <p> Z = tin-plated B TR = pick and place pad and tape and reel (150pcs/reel)</p> <p> B TR = pick and place pad and tape and reel (250pcs/reel)</p>					

... packing (option) - additions:

- SL 11 SMD 040-104 ... SM; ... B SM: 6-40 contacts
- SL 11 SMD 040-062 ... B TR: 26-40 contacts, 250 pcs/reel
- SL 11 SMD 040-078 ... B TR: 6-24 contacts, 250 pcs/reel
- SL 11 SMD 104-130 ... B TR: 6-24 contacts, 150 pcs/reel

Option for automatic assembly

... SM			SL 11 SMD ... SM	SL 11 SMD ... B SM
... B SM				
... B TR	SL 11 SMD 040-062 ... 6-24 ... B TR	SL 11 SMD 040-062 ... 26-40 ... B TR	SL 11 SMD 078 ... B TR	SL 11 SMD 104-130 ... 6-24 ... B TR



A
B
C
D
E
F
G
H
I
K
L
M
N

Male headers

□ 0.635 mm

art. no.	dim. [mm]			art. no.	dim. [mm]			art. no.	dim. [mm]		
	B	C	S		B	C	S		B	C	S
SL 12 SMD 031 ...	5.2	3.1	4	SL 12 SMD 035 ...	3.2	3.5	4	SL 12 SMD 083 ...	5.2	8.3	5
SL 12 SMD 032 ...	3.2	5.8	—	SL 12 SMD 058 ...	5.2	5.8	5	SL 12 SMD 109 ...		10.9	
<p>please indicate: ... no. of contacts one row 2 - 20 ... surface of contact S = selective gold-plated G = gold-plated Z = tin-plated ... packing (optional) B SM = pick and place pad and bar magazine B TR = pick and place pad and tape and reel (500pcs/reel)</p>											

... packing (option) - additions:
 SL 12 SMD ... B TR: 2-13 contacts

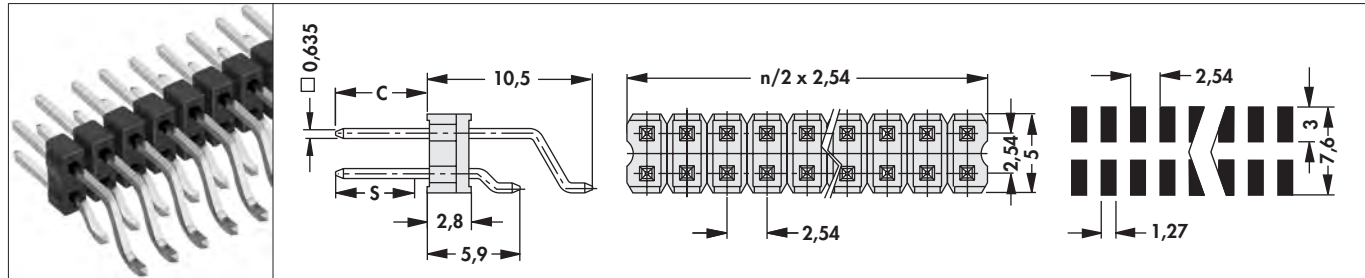
Option for automatic assembly

- reel diameter Ø 330 mm

... B SM	SL 12 SMD ... B SM	
... B TR	SL 12 SMD 031-109 ... B TR	

Male headers

□ 0.635 mm



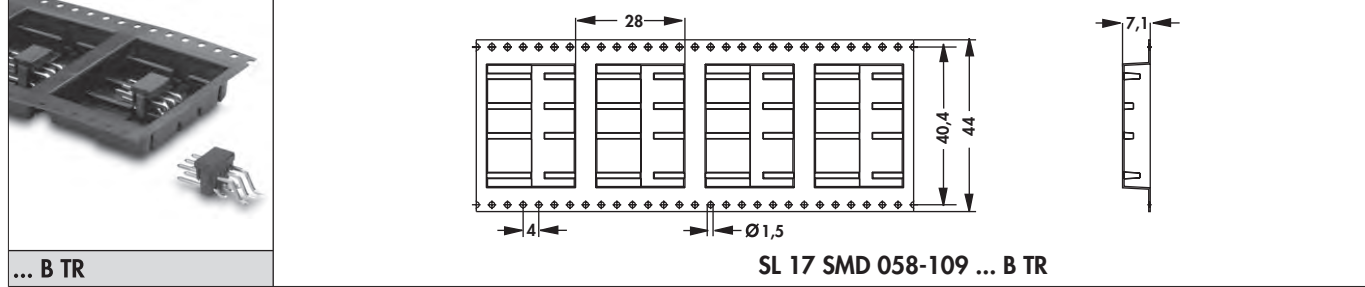
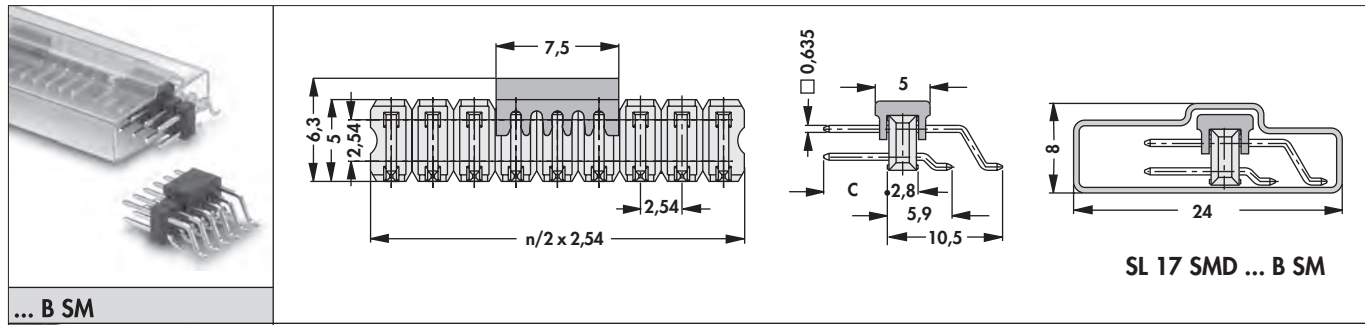
art. no.	dim. [mm]	art. no.	dim. [mm]	art. no.	dim. [mm]
SL 17 SMD 058 ...	C	SL 17 SMD 083 ...	C S	SL 17 SMD 109 ...	C S
	5.8		8.3 5		10.9 5

please indicate: ... no. of contacts two rows 4 - 40 ... surface of contact G = gold-plated Z = tin-plated ... packing (optional) B SM = pick and place pad and bar magazine B TR = pick and place pad and tape and reel (300pcs/reel)

... packing (option) - additions:
SL 17 SMD ... B TR: 6-24 contacts

Option for automatic assembly

- reel diameter Ø 330 mm



A

Male headers
□ 0.635 mm

art. no.	dim. [mm] C	art. no.	dim. [mm] C	art. no.	dim. [mm] C	
SL 28 SMD THR 058 ...	5.8	SL 28 SMD THR 083 ...	8.3	SL 28 SMD THR 109 ...	10.9	
please indicate:						
... no. of contacts two rows 4 - 40		... surface of contact G = gold-plated Z = tin-plated				

E

F

G

H

I

K

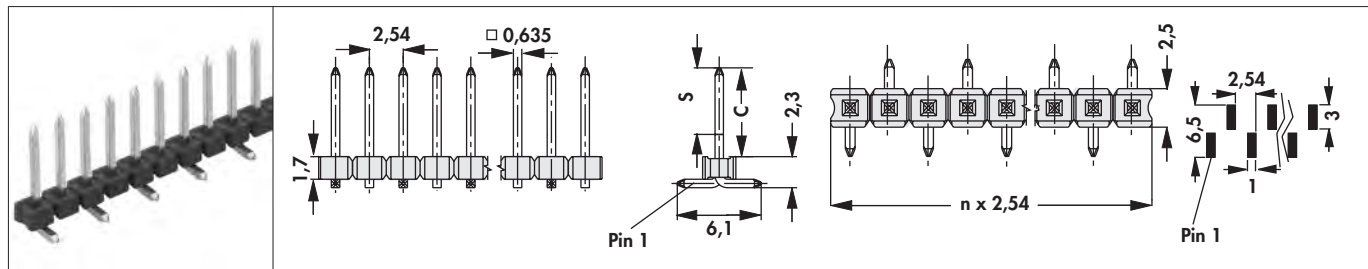
L

M

N

Male headers

Low profile in SMD □ 0.635 mm



art. no.	dim. [mm]		art. no.	dim. [mm]		art. no.	dim. [mm]	
	C	S		C	S		C	S
SL LP 5 SMD 038 ...	3.8	3	SL LP 5 SMD 051 ...	5.1	4	SL LP 5 SMD 066 ...	6.6	4

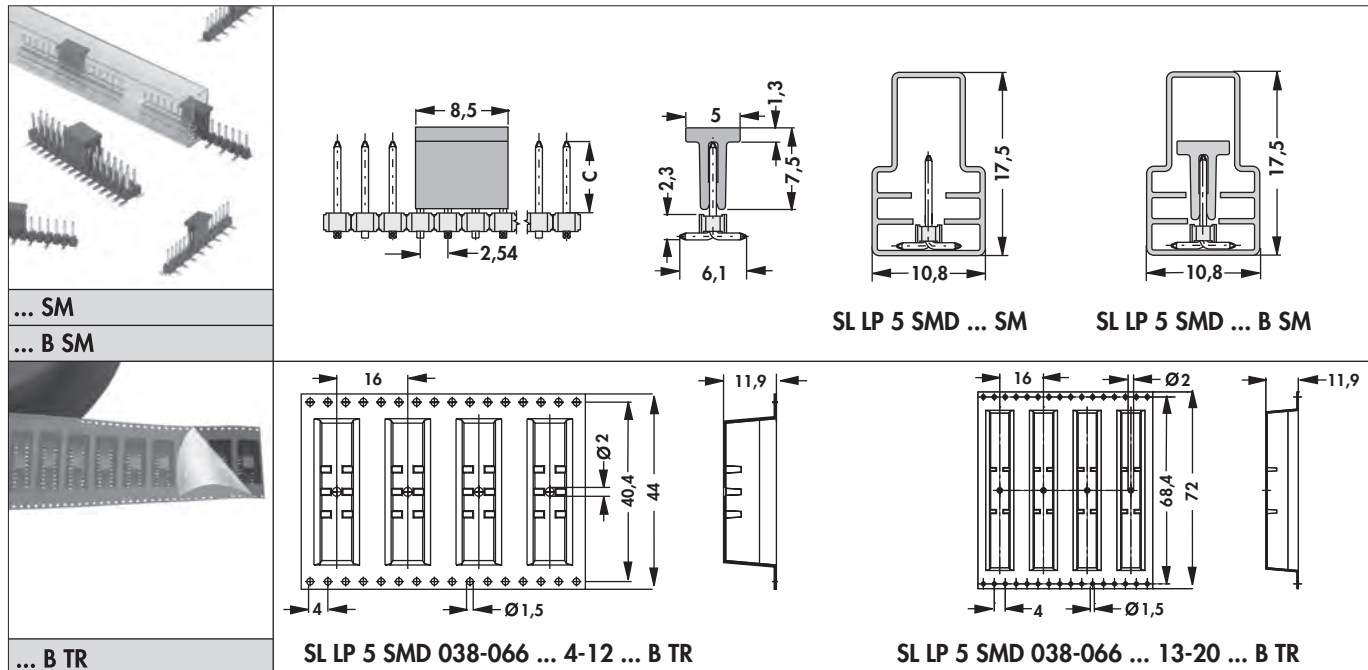
please indicate:

... no. of contacts one row 4 - 20	... surface of contact S = selective gold-plated G = gold-plated Z = tin-plated	... packing (optional) SM = bar magazine B SM = pick and place pad and bar magazine B TR = pick and place pad and tape and reel (250pcs/reel)
---------------------------------------	--	---

... packing (option) - additions:
 SL LP 5 SMD ... SM; ... B SM: 4-20 contacts
 SL LP 5 SMD ... B TR: 4-20 contacts

Option for automatic assembly

– reel diameter Ø 330 mm



... SM
 ... B SM

... B TR

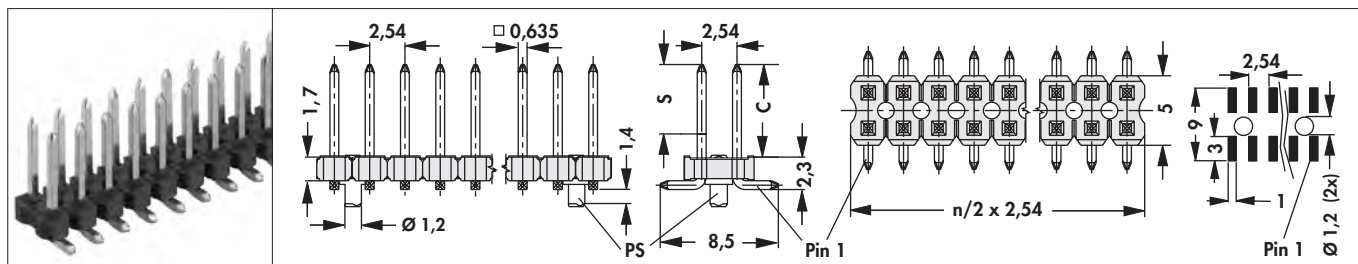
SL LP 5 SMD 038-066 ... 4-12 ... B TR

SL LP 5 SMD 038-066 ... 13-20 ... B TR

A

Male headers

B

Low profile in SMD □ 0.635 mm


art. no.	dim. [mm]		art. no.	dim. [mm]		art. no.	dim. [mm]	
	C	S		C	S		C	S
SL LP 6 SMD 038 ...	3.8	3	SL LP 6 SMD 051 ...	5.1	4	SL LP 6 SMD 066 ...	6.6	4
please indicate:								
... no. of contacts two rows 4 - 40			... surface of contact S = selective gold-plated G = gold-plated Z = tin-plated			... packing (optional) SM = bar magazine B SM = pick and place pad and bar magazine B TR = pick and place pad and tape reel (250pcs/reel)		
... positioning (optional) PS = locating pin (2 pcs/bar bigger than 6 contacts)								

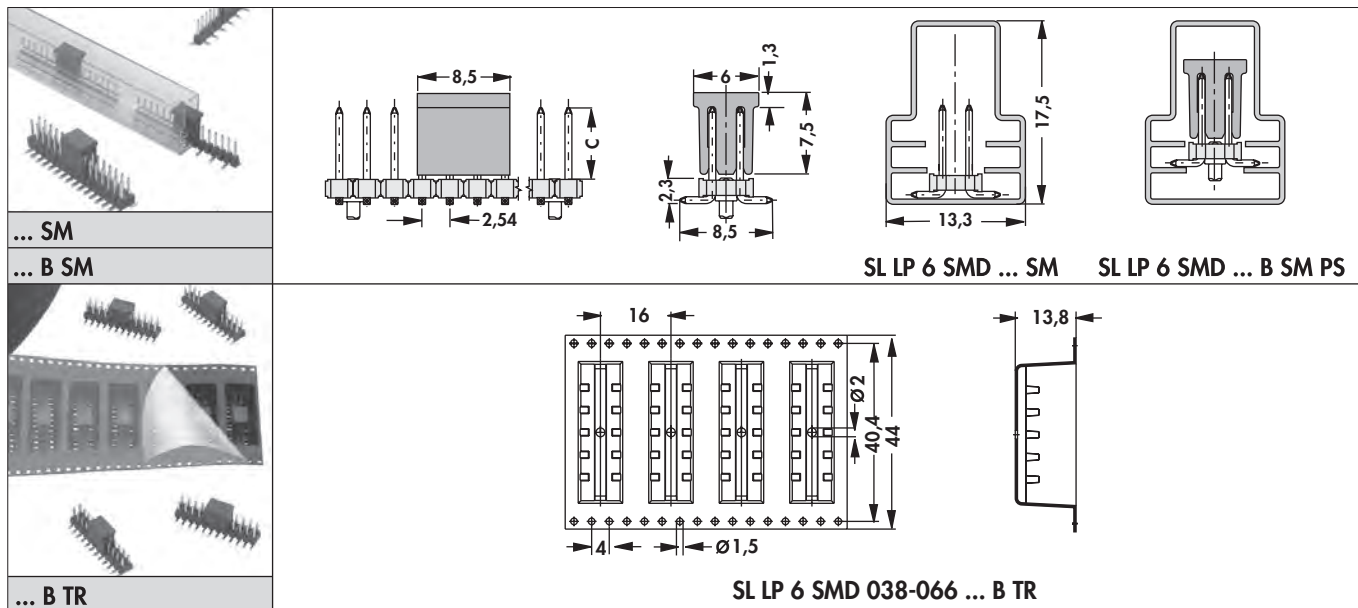
F

... packing (option) - additions:
 SL LP 6 SMD ... SM; ... B SM: 6-40 contacts
 SL LP 6 SMD ... B TR: 6-24 contacts

G

Option for automatic assembly

– reel diameter Ø 330 mm



H

I

K

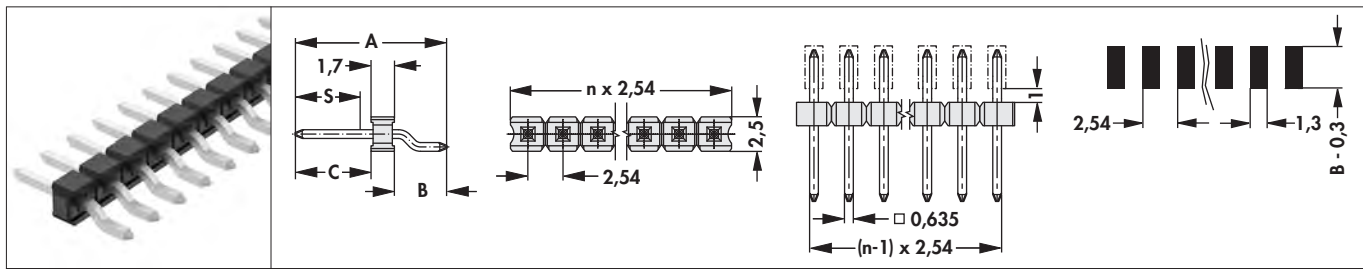
L

M

N

Male headers

Low profile in SMD □ 0.635 mm



art. no.	dim. [mm]			
	A	B	C	S
SL LP 7 SMD 030 ...	8.0	3.3	3.0	3
SL LP 7 SMD 040 ...	9.5	3.8	4.0	4
SL LP 7 SMD 055 ...	11.0		5.5	

please indicate: ... no. of contacts 2 - 20 ... surface of contact
S = selective gold-plated
G = gold-plated
Z = tin-plated

Male headers

□ 0.635 mm – for interconnections of stacked PCBs

- one row, 4-20 contacts
- within the total length of the pin the insulator can be changed according to customer's request

art. no.	dim. [mm]		art. no.	dim. [mm]		art. no.	dim. [mm]	
	A	S		A	S		A	S
SL 15 SMD 107 ...	10.7	5	SL 15 SMD 182 ...	18.2	6	SL 15 SMD 207 ...	20.7	6

please indicate:

- ... no. of contacts**
one row 4 - 20
- ... surface of contact**
S = selective gold-plated
G = gold-plated
Z = tin-plated
- ... positioning (optional)**
P = end pins straight for positioning

- two rows, 4-40 contacts
- within the total length of the insulator can be changed according to customer's request

art. no.	dim. [mm]		art. no.	dim. [mm]		art. no.	dim. [mm]	
	A	S		A	S		A	S
SL 16 SMD 107 ...	10.7	5	SL 16 SMD 182 ...	18.2	6	SL 16 SMD 247 ...	24.7	6
SL 16 SMD 157 ...	15.7	6	SL 16 SMD 207 ...	20.7				

please indicate:

- ... no. of contacts**
two rows 4 - 40
- ... surface of contact**
S = selective gold-plated
G = gold-plated
Z = tin-plated
- ... positioning (optional)**
P = end pins straight for positioning

Male headers

Turned precision male contacts

- suitable for BL 22 SHK 14 02 G → G 72 and BL 23 SHK 14 02 SMD G → G 78
- signal and high-power contacts
- contacts gold-plated
- other number of contacts / contact surface upon request

<p>art. no.</p>	<p>signal contacts</p>	<p>high-power contacts</p>
<p>SL 27 SHK 14 02 SMD G</p>	<p>12</p>	<p>2</p>
<p>surface of contact:</p>	<p>gold-plated</p>	

	MK ..., MK LP 240 ..., MK LP 241 ..., MK LP 242 ..., MK LP 40 ..., MK LP 41 ..., MK LP 42 ..., MK LP 43 ...	SL 7 - 9	SLU ...	SL KA 3 ..., SL KG 3 ...
contact material	CuZn-alloy		CuSn alloy	CuZn-alloy
surface contact / contact sleeve	Ni+≥0.2μm Au/ Ni+4...6μm Sn		Ni+≥0.2μm Au (selective)/ Ni+4...6μm Sn	Ni+≥0.2μm Au/ Ni+4...6μm Sn
shock resistance	50 g			
volume resistance	≤10 mΩ	≤5 mΩ	≤10 mΩ	≤20 mΩ
vibration resistance max.	15 g			
capacity between two adjacent contacts	≤0,4 pF			
nominal current	1.5 A	3 A		
nominal voltage	60 V DC	250 V AC	100 V DC	250 V AC
test voltage	1000 V	2000 V	1000 V	
insulating body material	PA 4.6. GF			
temperature range	-40°C... +163°C/ (260°C/10 s)			-40°C... +163°C/ (260°C/5 s)
class of inflammability	UL 94 V-0			
specific insulation resistance	>10 ⁷ Ω·m			
	SL ... SHK ...	SL ..., SL ... THR, SLK ..., SL LP ...	SLP 1 ..., SLP 2 ..., SLUP 31 ...	SL ... LED ...
contact material	CuZn-alloy	CuSn alloy		
surface contact / contact sleeve	Ni+≥0.2μm Au	Ni+≥0.2μm Au/ Ni+4...6μm Sn		
volume resistance	≤10 mΩ	≤5 mΩ	≤10 mΩ	≤5 mΩ
nominal current	8.2 A/ 3 A	3 A		
nominal voltage	250 V AC			
test voltage	1000 V	2000 V	1000 V	2000 V
insulating body material	PCT, GF	PA 4.6. GF		LCP
temperature range	-40°C ... +105°C (260°C / 10s)	-40°C... +163°C/ (260°C/10 s)		-40°C...+230°C/ (260°C/10 s)
class of inflammability	UL 94 V-0			
specific insulation resistance	>10 ⁷ Ω·m			>10 ¹⁵ Ω·cm
	SLY ...	SLY ... SHK ...	SLM N ..., SLV N ..., SLV W ...	SLR ...
contact material	CuSn alloy	CuZn-alloy		
surface contact / contact sleeve	Ni+≥0.2μm Au/ Ni+4...6μm Sn	Ni+≥0.2μm Au	Ni+≥0.2μm Au/ Ni+4...6μm Sn	
volume resistance	≤5 mΩ	≤10 mΩ	≤5 mΩ	≤20 mΩ
nominal current	3 A	8.2 A/ 2.5 A	1.5 A	1 A
nominal voltage	100 V DC	250 V AC	125 V AC	100 V AC/ 150 V DC
test voltage	500 V	1000 V	300 V	500 V
insulating body material	PA 4.6. GF	PCT, GF	PA 4.6. GF	PCT, GF
temperature range	-40°C... +163°C/ (260°C/10 s)	-40°C ... +105°C (260°C / 10s)	-40°C... +163°C/ (260°C/10 s)	-40°C... +105°C/ (260°C/10 s)
class of inflammability	UL 94 V-0			
specific insulation resistance	>10 ⁷ Ω·m	>10 ⁷ Ω·m		

