

NEW !
IP66 Front Panel Protection

SPECIFICATIONS:

CONTACT RATING: 16A 125/250VAC.
ELECTRICAL LIFE: 10,000 cycles min. at full load.
CONTACT RESISTANCE: 50m-ohms max. initial @2-4VDC 100mA for silver plated contacts.
INSULATION RESISTANCE: 500VDC 100M-ohms min.
DIELECTRIC STRENGTH: 1,500VAC for 1 minute.
OPERATING TEMPERATURE: -30°C to +85°C.

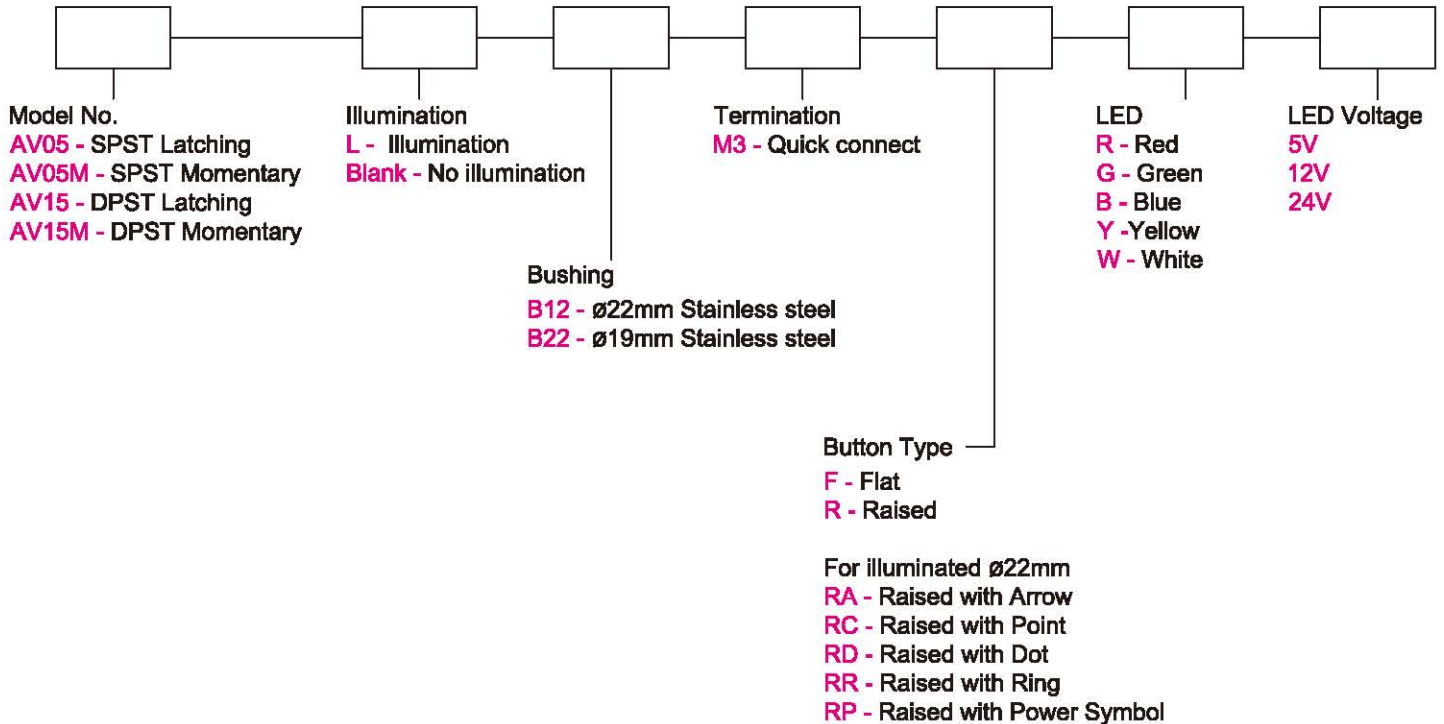
MATERIALS:

BUTTON: Stainless steel.
BUSHING: Stainless steel with threaded bushing.
BODY: NYLON 6/6 (UL 94V-0).
CONTACT: Silver alloy.
TERMINAL: Brass silver plated.

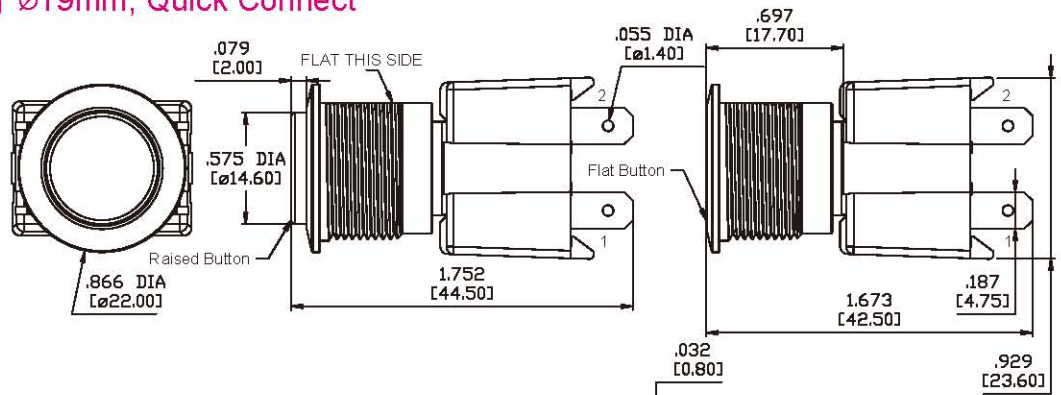
Specifications and Dimensions subject to change

If your preferred product configuration is not shown, please contact our sales representative for custom design.

HOW TO ORDER SYSTEM

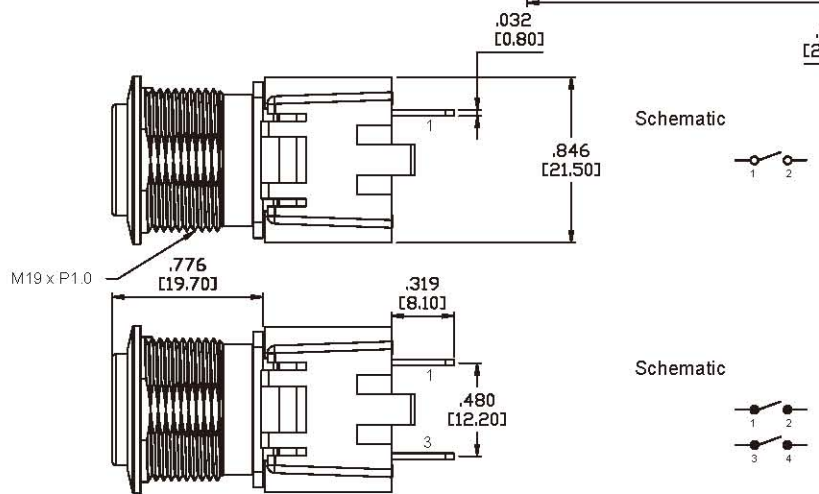


Non-latching & Latching $\varnothing 19\text{mm}$, Quick Connect

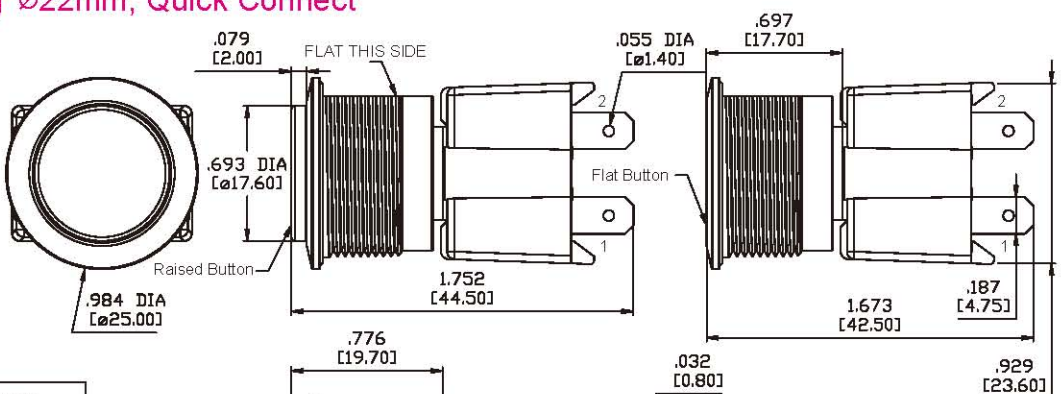


Model No.	SPST Switching Position		
AV05	OFF	NONE	ON
AV05M	OFF	NONE	MOM
Term. Comm.	OPEN	OPEN	1-2

Model No.	DPST Switching Position		
AV15	OFF	NONE	ON
AV15M	OFF	NONE	MOM
Term. Comm.	OPEN	OPEN	1-2, 3-4

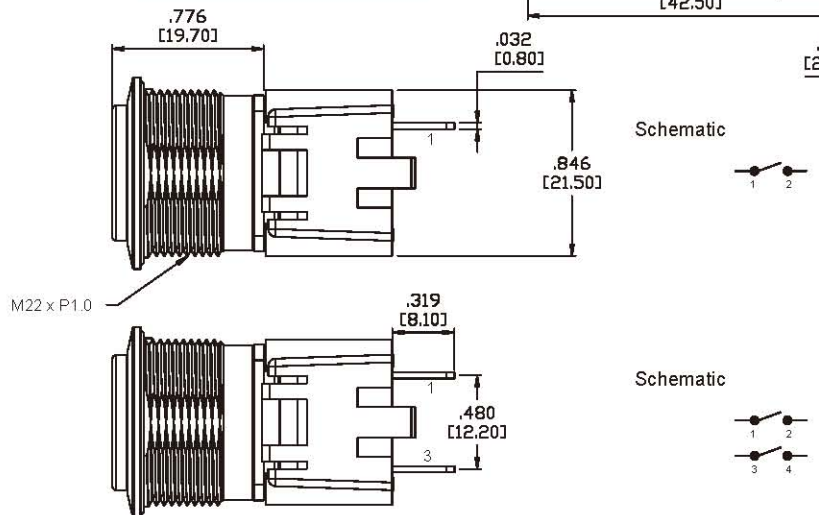


Non-latching & Latching $\varnothing 22\text{mm}$, Quick Connect



Model No.	SPST Switching Position		
AV05	OFF	NONE	ON
AV05M	OFF	NONE	MOM
Term. Comm.	OPEN	OPEN	1-2

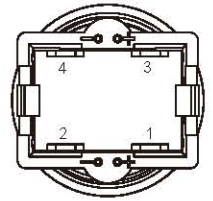
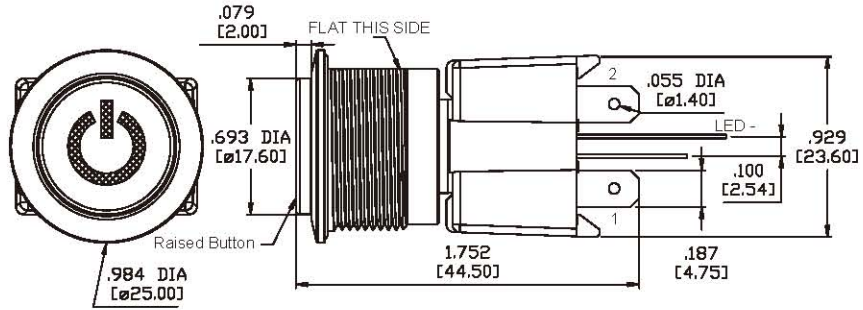
Model No.	DPST Switching Position		
AV15	OFF	NONE	ON
AV15M	OFF	NONE	MOM
Term. Comm.	OPEN	OPEN	1-2, 3-4



Toggle
Rocker
Slide
Pushbutton
AV

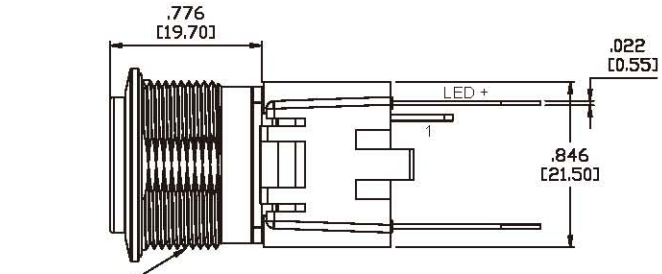
Rotary
Tact
Touch Key
Miscellaneous

Illuminated Non-latching & Latching $\varnothing 22\text{mm}$, Quick Connect

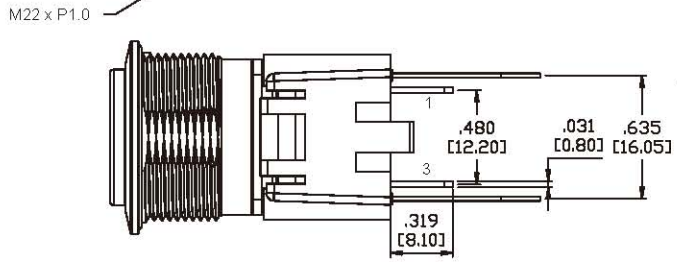
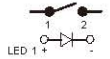


Model No.	SPST Switching Position		
AV05	OFF	NONE	ON
AV05M	OFF	NONE	MOM
Term. Comm.	OPEN	OPEN	1-2

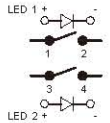
Model No.	DPST Switching Position		
AV15	OFF	NONE	ON
AV15M	OFF	NONE	MOM
Term. Comm.	OPEN	OPEN	1-2, 3-4



Schematic



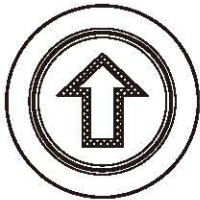
Schematic



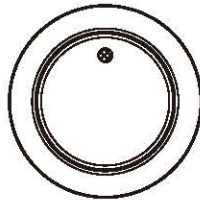
BUTTON TYPE

For illuminated $\varnothing 22\text{mm}$ raised button

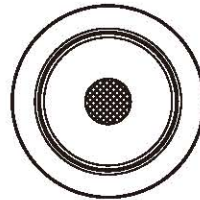
RA



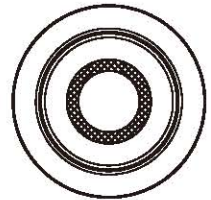
RC



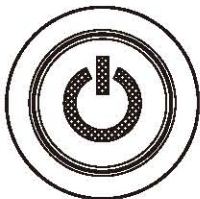
RD



RR

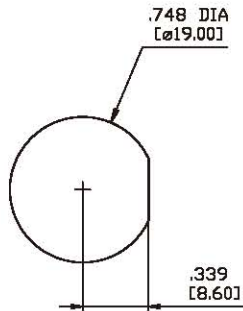


RP

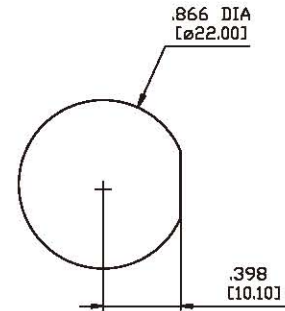


PANEL MOUNTING

M19 x 1.0 FLAT-CUT THD. BUSHING



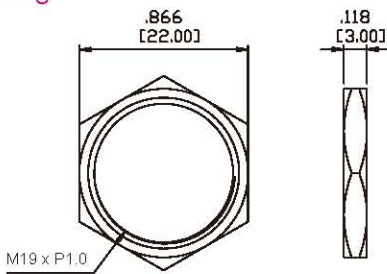
M22 x 1.0 FLAT-CUT THD. BUSHING



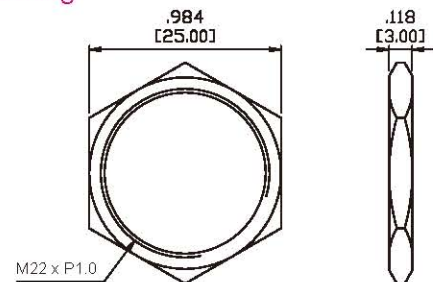
HARDWARE

NUT

M19 bushing

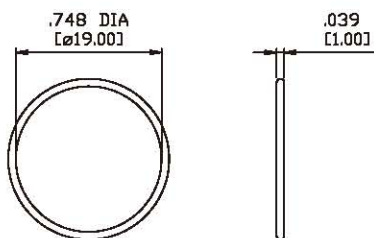


M22 bushing



O-RING

M19 bushing



M22 bushing

