

SPECIFICATIONS:

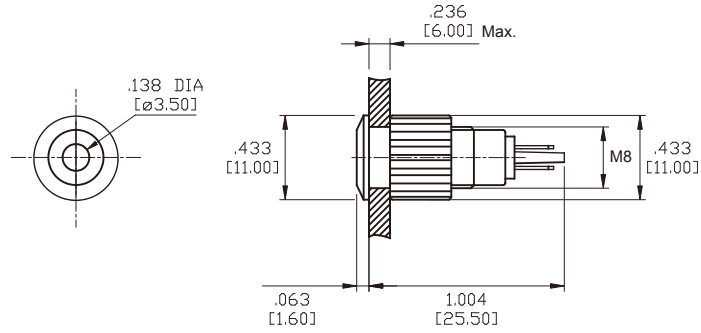
VOLTAGE RANGE: Max. 36V.
 RATED CURRENT: 15mA.
 DIELECTRIC STRENGTH: 1,100V RMS 50~60Hz.
 OPERATING TEMPERATURE: -20°C to +55°C
 IP CLASS: IP67 front panel protection.
 TORQUE: 5~14Nm max. applied to nut.

MATERIALS:

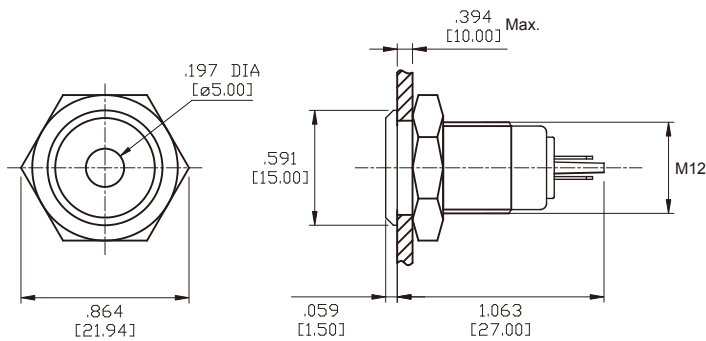
LED COVER: PC.
 BODY: Brass nickel plated (N).
 BASE: PBT.
 ILLUMINANT: LED.

Specifications and Dimensions subject to change

NI-04 Indicator



NI-05 Indicator



LED & VOLTAGE OPTIONS

LED Colors

| Code | Color |
|------|--------|
| R | Red |
| G | Green |
| Y | Yellow |
| O | Orange |
| B | Blue |
| W | White |

Voltage

| Code | Voltage |
|------|---------|
| 2 | 6V |
| 3 | 12V |
| 4 | 24V |

HOW TO ORDER

