

SPECIFICATIONS:

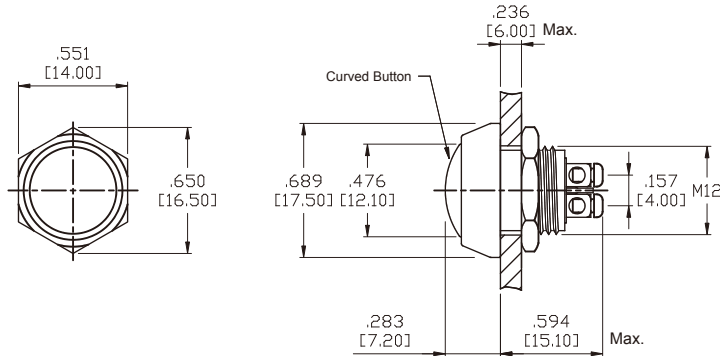
- BUSHING: ϕ 12mm.
- CONTACT RATING: 2A @ 36VDC.
- ELECTRICAL LIFE: 200,000cycles at full load.
- CONTACT RESISTANCE: 50m-ohms max. initial @2-4VDC.
- INSULATION RESISTANCE: 1,000M-ohms min. @ 500VDC.
- DIELECTRIC STRENGTH: 2,000V RMS 50~60Hz.
- IP CLASS: IP65 protection.
- TORQUE: 5~14Nm max. applied to nut.
- OPERATING FORCE: 5.5N max.
- OPERATING TEMPERATURE: -20°C~+55°C.

MATERIALS:

- BUSHING: Zinc alloy, black nickel plated.
- CONTACT: Silver alloy.
- BUTTON & BASE: PBT.
- NUT: Nickel plated brass.

Specifications and Dimensions subject to change

SPST ϕ 12mm, Solder Lug



Ex. P/N: AV01P-B4-M1-x

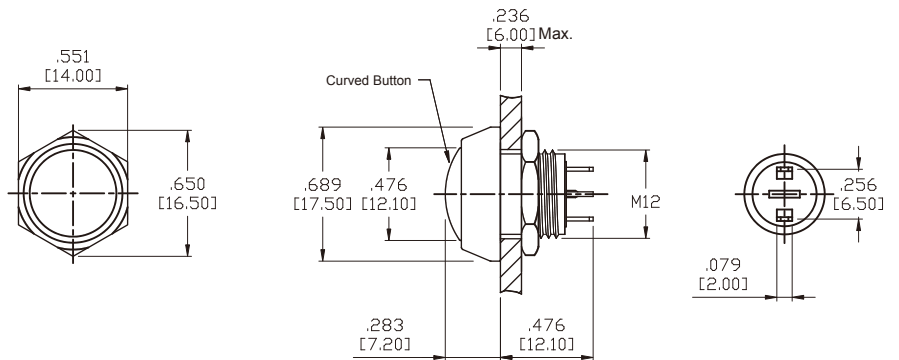
Replace "x" with button color

Model No.	SPST Type	
	01	OFF

Schematic



SPST ϕ 12mm, Quick Connect



Ex. P/N: AV01P-B4-M3-x

Replace "x" with button color

Model No.	SPST Type	
	01	OFF

Schematic



BUTTON COLOR OPTIONS

Code	Button Color
R	Red
G	Green
Y	Yellow
O	Orange
B	Blue
W	White
K	Black

HOW TO ORDER

