

SPECIFICATIONS:

BUSHING: \varnothing 19mm, \varnothing 16mm.

CONTACT RATING: \varnothing 19,22,25mm 5A @ 250VAC,
 \varnothing 16mm 3A @ 250VAC.

ELECTRICAL LIFE: 50,000cycles at full load.

CONTACT RESISTANCE: 50m-ohms max. initial @2-4VDC.

INSULATION RESISTANCE: 1,000M-ohms min. @ 500VDC.

DIELECTRIC STRENGTH: 2,000V RMS 50~60Hz.

IP CLASS: IP65 or IP67 front panel protection.

TORQUE: 5~14Nm max. applied to nut.

OPERATING FORCE: \varnothing 25mm-7N max. \varnothing 22mm-5.5N max. \varnothing 19mm-5N max. \varnothing 16mm-4N max.

OPERATING TEMPERATURE: -20°C~+55°C.

MATERIALS:

BUSHING: See Bushing Option.

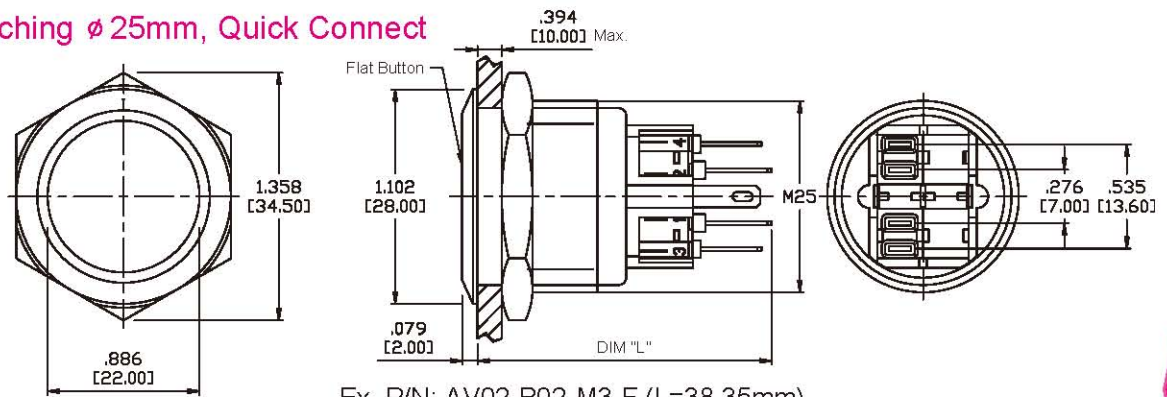
CONTACT: Silver alloy.

BASE: PBT or PA.

NUT: Nickel plated brass.

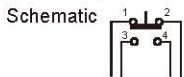
Specifications and Dimensions subject to change

Non-latching & Latching \varnothing 25mm, Quick Connect

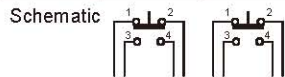


Ex. P/N: AV02-B02-M3-F (L=38.35mm)
AV03-B02-M3-F (L=41.35mm)

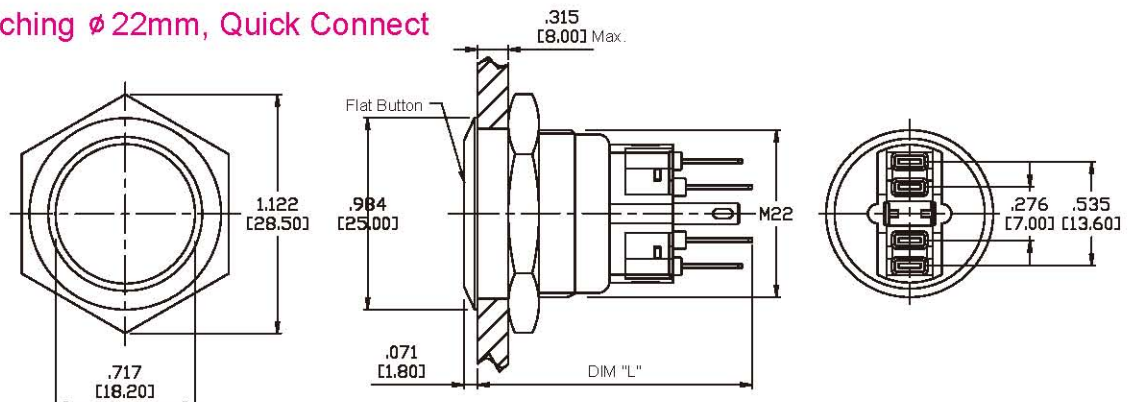
Model No.	SPDT Type	
02	ON	MOM
03	ON	ON



Model No.	DPDT Type	
12	ON	MOM
13	ON	ON

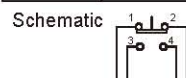


Non-latching & Latching \varnothing 22mm, Quick Connect



Ex. P/N: AV02-B12-M3-F (L=35.8mm)
AV03-B12-M3-F (L=40.8mm)

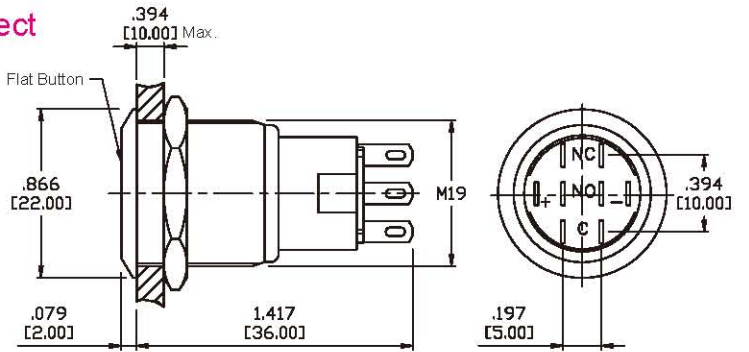
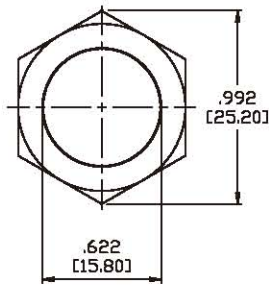
Model No.	SPDT Type	
02	ON	MOM
03	ON	ON



Series AV

Anti-Vandal Pushbutton Switches

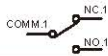
Non-latching & Latching ϕ 19mm, Quick Connect



Ex. P/N: AV02-B22-M3-F
AV03-B22-M3-F

Model No.	SPDT Type	
02	ON	MOM
03	ON	ON

Schematic

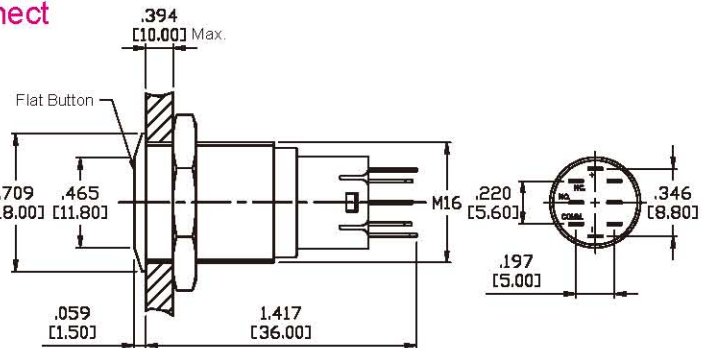
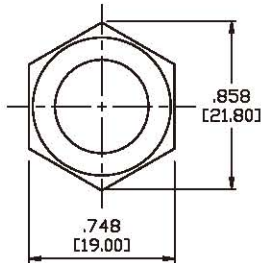


Model No.	DPDT Type	
12	ON	MOM
13	ON	ON

Schematic



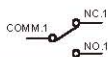
Non-latching & Latching ϕ 16mm, Quick Connect



Ex. P/N: AV02-B3-M3-F & AV03-B3-M3-F

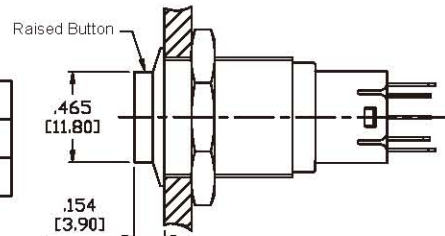
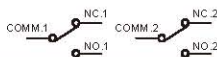
Model No.	SPDT Type	
02	ON	MOM
03	ON	ON

Schematic



Model No.	DPDT Type	
12	ON	MOM
13	ON	ON

Schematic



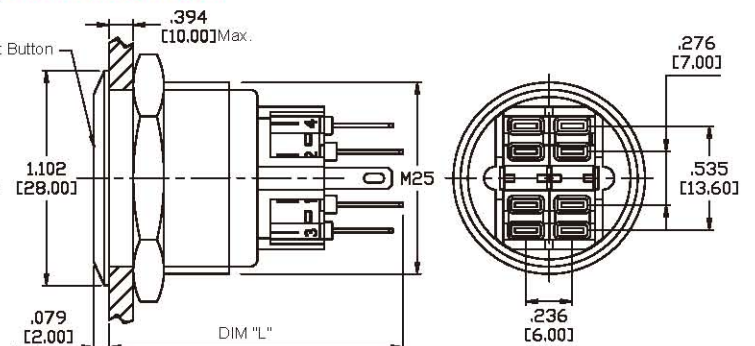
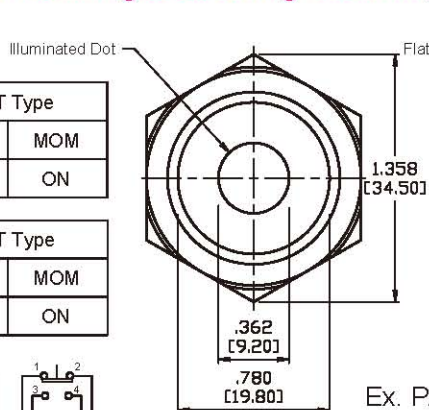
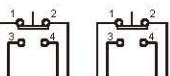
Ex. P/N: AV02-B3-M3-R & AV03-B3-M3-R

Illuminated Non-Latching & Latching ϕ 25mm, Quick Connect

Model No.	SPDT Type	
02L	ON	MOM
03L	ON	ON

Model No.	DPDT Type	
12L	ON	MOM
13L	ON	ON

Schematic



Ex. P/N: AV02L-B02-M3-FD-x (L=38.35)
AV03L-B02-M3-FD-x (L=41.35)

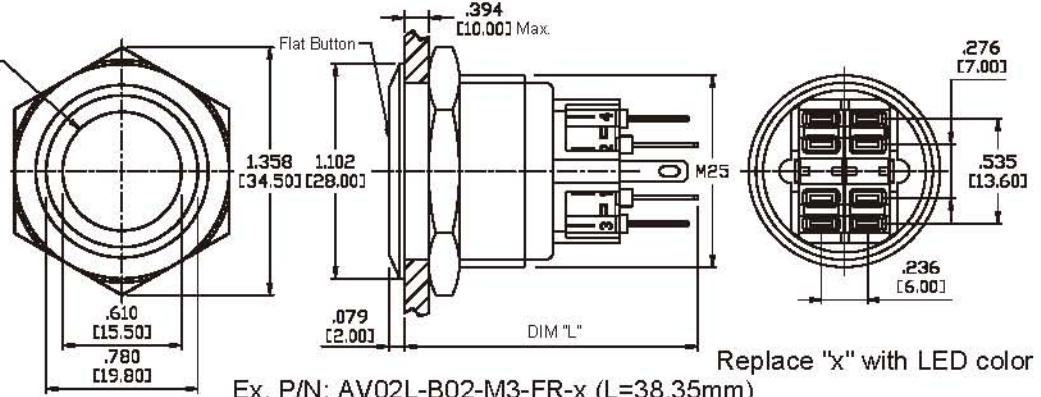
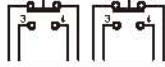
Replace "x" with LED color

Illuminated Non-Latching & Latching ϕ 25mm, Quick Connect

Model No.	SPDT Type	
02L	ON	MOM
03L	ON	ON

Model No.	DPDT Type	
12L	ON	MOM
13L	ON	ON

Schematic



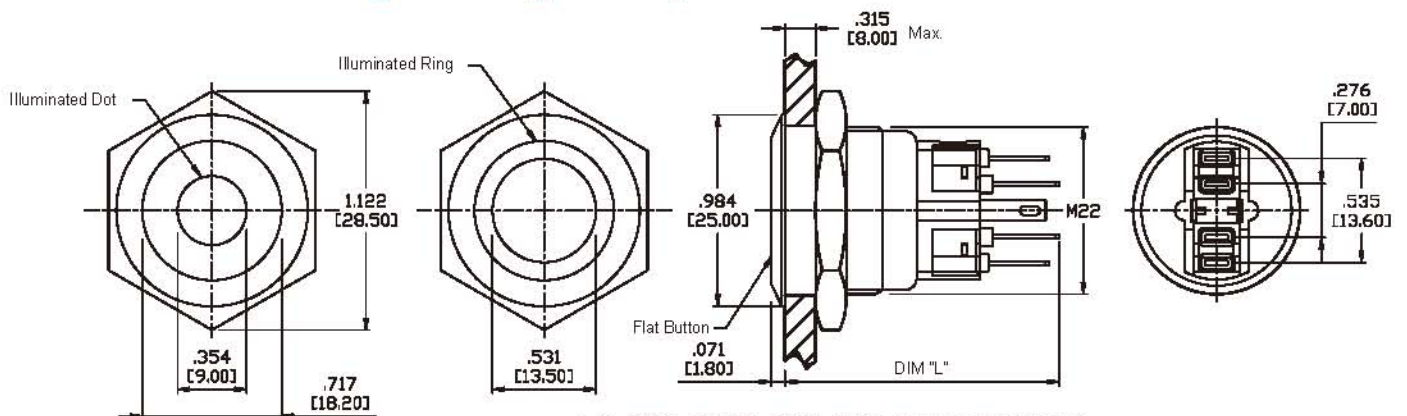
Ex. P/N: AV02L-B02-M3-FR-x (L=38.35mm)
AV03L-B02-M3-FR-x (L=41.35mm)

Replace "x" with LED color

Illuminated Non-Latching & Latching ϕ 22mm, Quick Connect

Model No.	SPDT Type	
02L	ON	MOM
03L	ON	ON

Schematic



Ex. P/N: AV02L-B12-M3-FD-x (L=35.8mm)
AV03L-B12-M3-FD-x (L=40.8mm)

Replace "x" with LED color

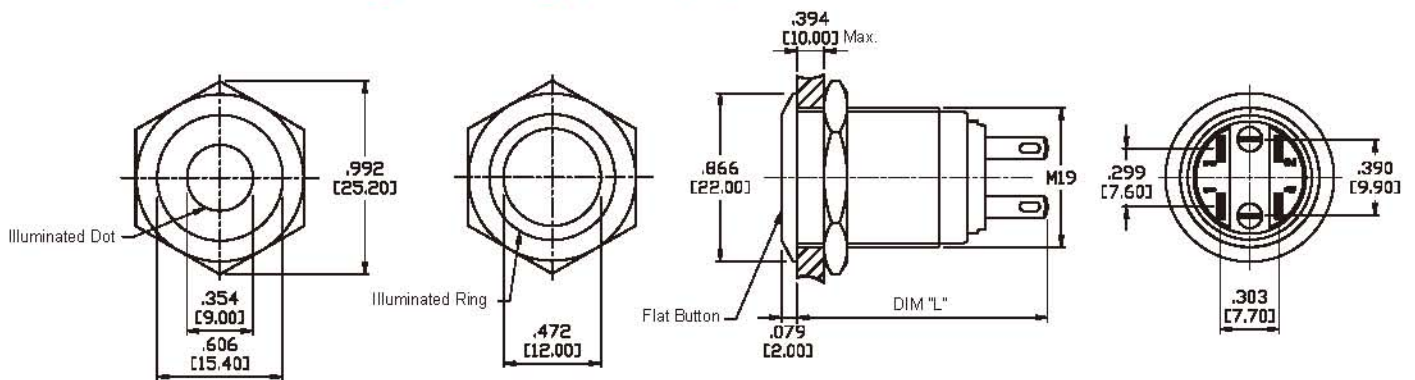
Ex. P/N: AV02L-B12-M3-FR-x (L=35.8mm)
AV03L-B12-M3-FR-x (L=40.8mm)

Replace "x" with LED color

Illuminated Non-Latching & Latching ϕ 19mm, Quick Connect

Model No.	SPDT Type	
02L	ON	MOM

Schematic



Ex. P/N: AV02L-B22-M3-FD-x (L=32.7mm)
AV03L-B22-M3-FD-x (L=39.0mm)

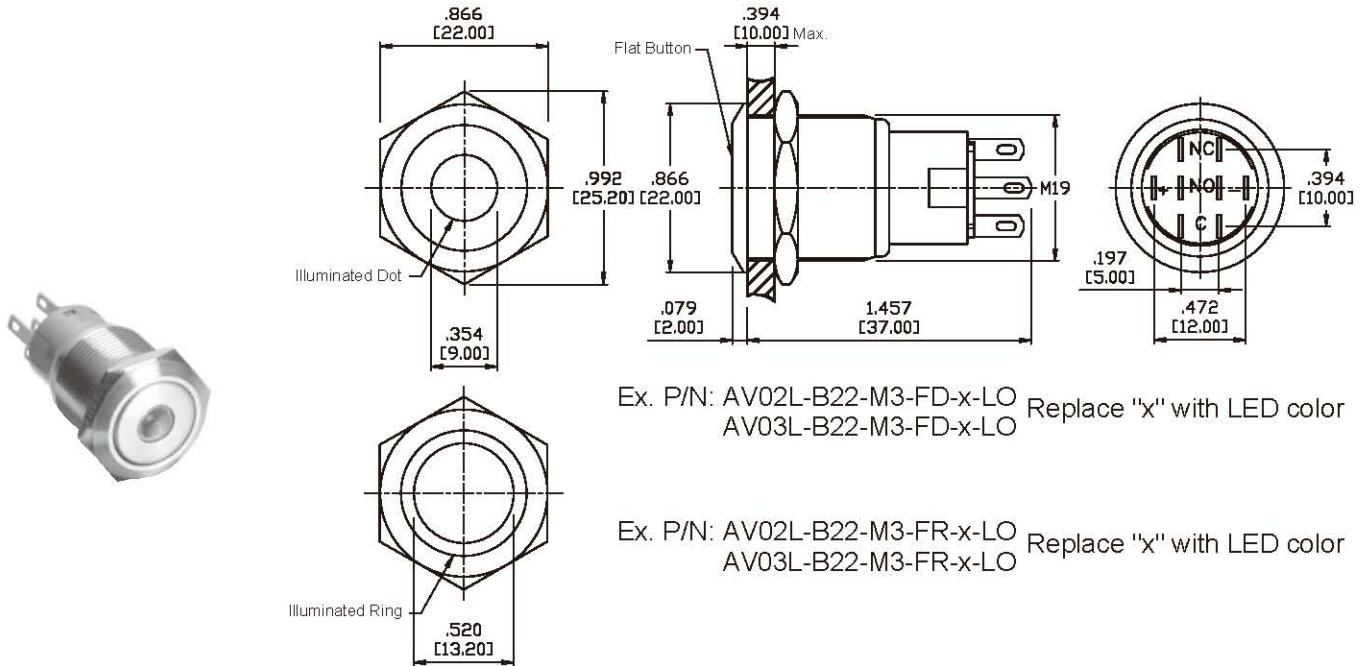
Replace "x" with LED color

Ex. P/N: AV02L-B22-M3-FR-x (L=32.7mm)
AV03L-B22-M3-FR-x (L=39.0mm)

Replace "x" with LED color



Illuminated Non-Latching & Latching ϕ 19mm, Quick Connect, Long Case

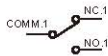


Ex. P/N: AV02L-B22-M3-FD-x-LO Replace "x" with LED color
 AV03L-B22-M3-FD-x-LO

Ex. P/N: AV02L-B22-M3-FR-x-LO Replace "x" with LED color
 AV03L-B22-M3-FR-x-LO

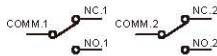
Model No.	SPDT Type	
02L	ON	MOM
03L	ON	ON

Schematic

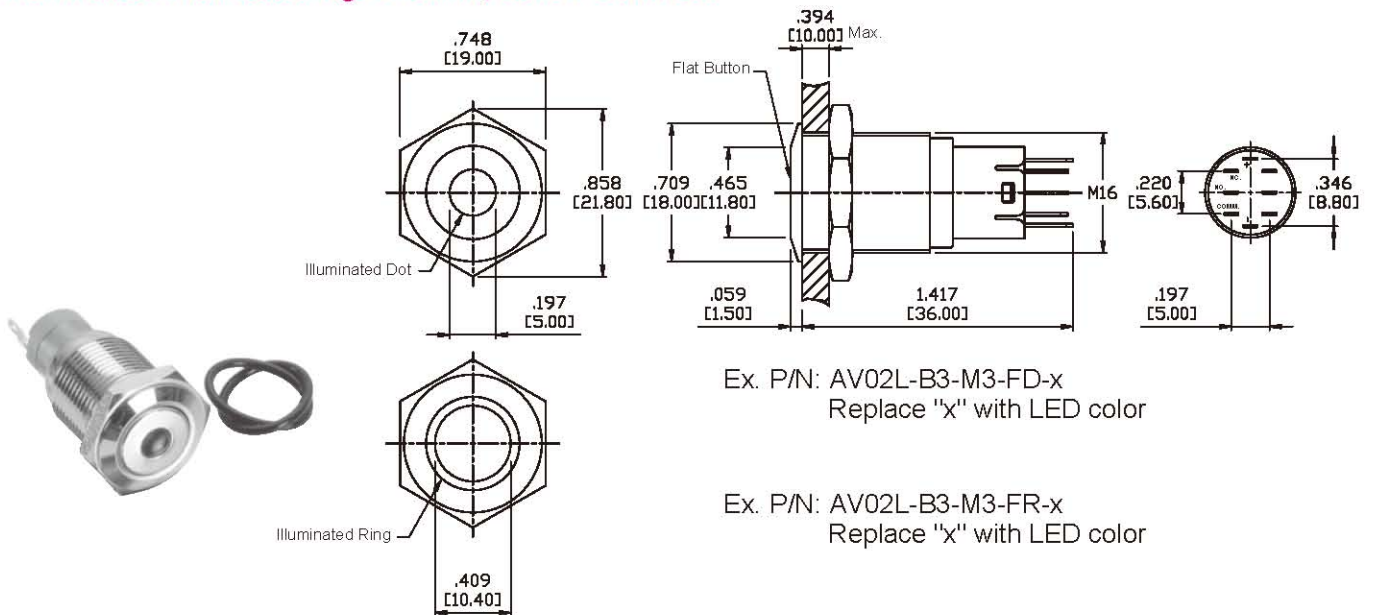


Model No.	DPDT Type	
12L	ON	MOM
13L	ON	ON

Schematic



Illuminated Non-Latching ϕ 16mm, Quick Connect

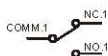


Ex. P/N: AV02L-B3-M3-FD-x
 Replace "x" with LED color

Ex. P/N: AV02L-B3-M3-FR-x
 Replace "x" with LED color

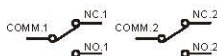
Model No.	SPDT Type	
02L	ON	MOM

Schematic

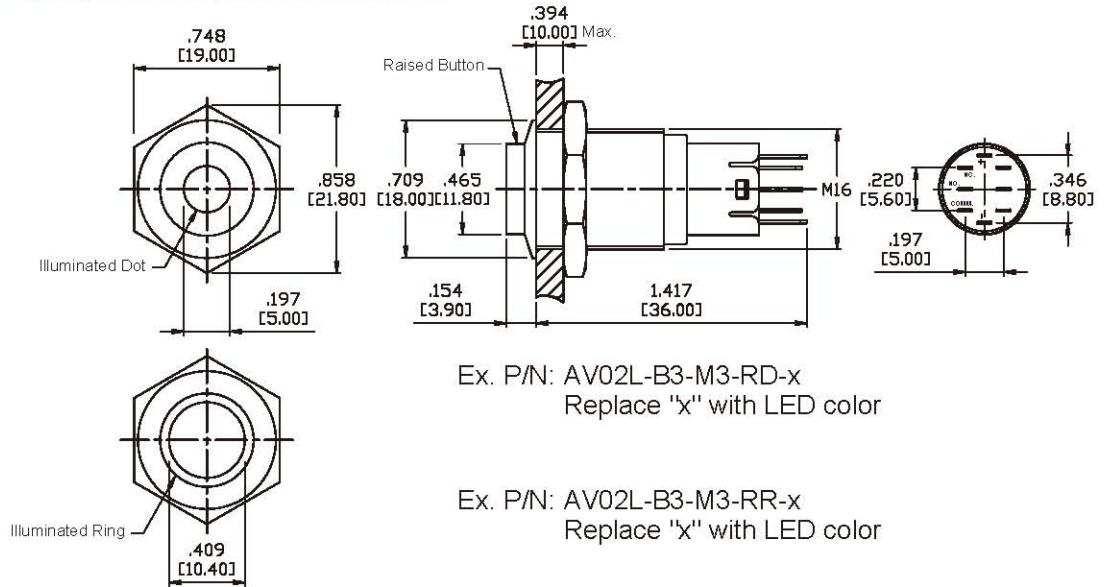


Model No.	DPDT Type	
12L	ON	MOM

Schematic

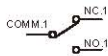


Illuminated Non-Latching $\phi 16$ mm, Quick Connect



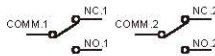
Model No.	SPDT Type	
02L	ON	MOM

Schematic

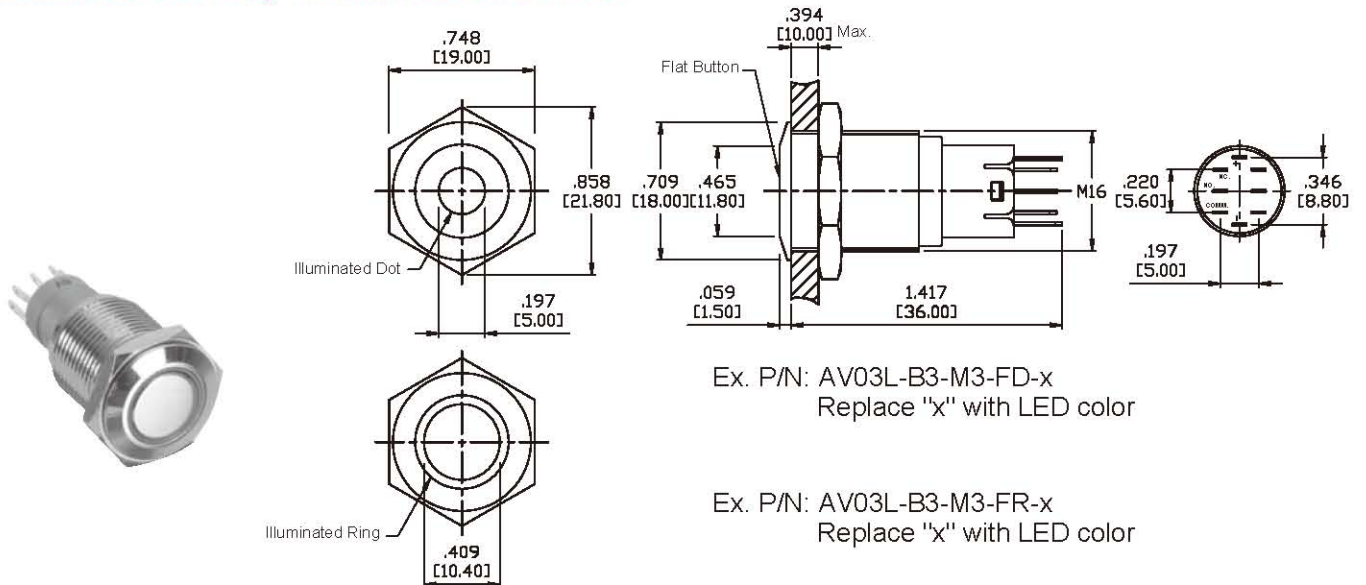


Model No.	DPDT Type	
12L	ON	MOM

Schematic

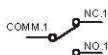


Illuminated Latching $\phi 16$ mm, Quick Connect



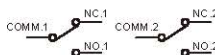
Model No.	SPDT Type	
03L	ON	ON

Schematic

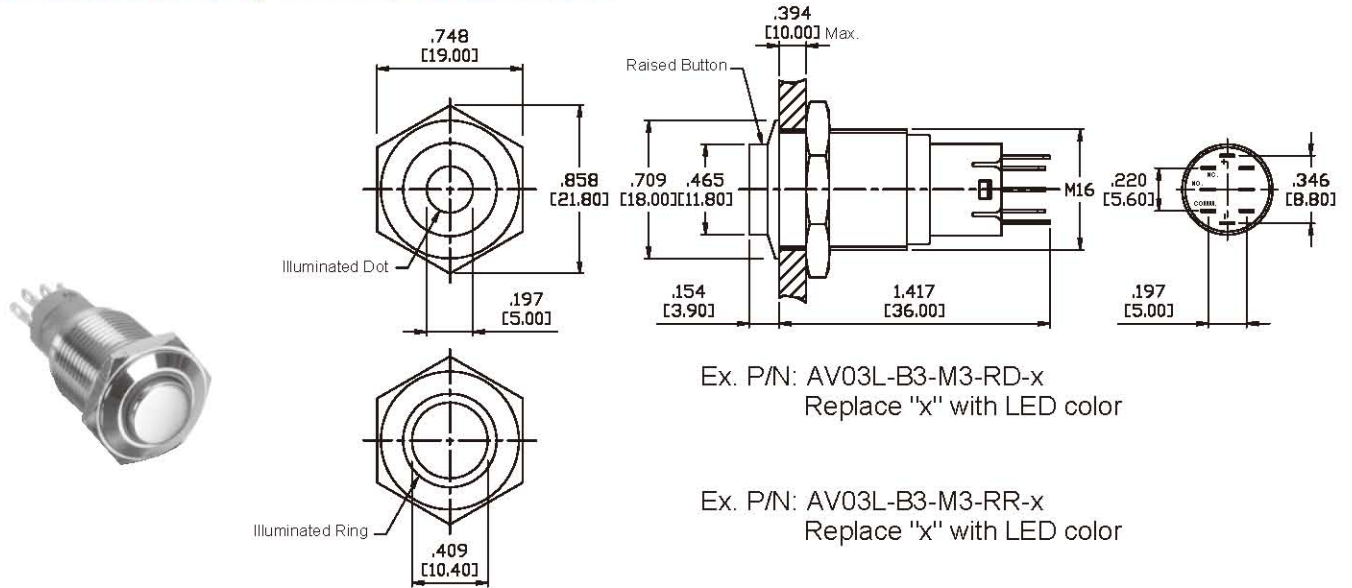


Model No.	DPDT Type	
13L	ON	ON

Schematic

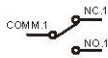


Illuminated Latching ϕ 16mm, Quick Connect



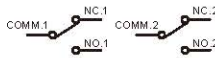
Model No.	SPDT Type	
03L	ON	ON

Schematic



Model No.	DPDT Type	
13L	ON	ON

Schematic



BUSHING & BUTTON MATERIAL OPTIONS

Code	Bushing Size	Bushing & Button Material	MOQ
B3	ϕ 16mm	Nickel plated brass with varnished polished	100 PCS
B31	ϕ 16mm	Gold plated brass with varnished polished	2,000 PCS
B02,B12,B22,B32	ϕ 25,22,19,16mm	Stainless steel with varnished polished	100 PCS
B23,B33	ϕ 16mm	Zinc alloy with black nickel plated	2,000 PCS

LED COLOR OPTIONS

Code	Button Color
R	Red
G	Green
Y	Yellow
O	Orange
B	Blue
W	White

OPTION CODE

Code	LED Voltage and Consumption
6V	6V (AC/DC Compatible) 15mA
12V	12V (AC/DC Compatible) 15mA
24V	24V (AC/DC Compatible) 15mA
36V	36V (AC/DC Compatible) 15mA
110V	110V (AC/DC Compatible) 5mA
220V	220V (AC/DC Compatible) 5mA

HOW TO ORDER

