

SPECIFICATIONS:

WORKING VOLTAGE: 2.5~30VDC.
 CONTACT RATING: 200mA @ 5~30VDC.
 1.5A @ 5~30VDC.
 50mA @ 3.3V~5.5VDC.
 CONTACT RESISTANCE: 120m-ohms max. (N-MOS Type)
 ELECTRICAL LIFE: 1 million cycles at full load.
 OPERATING TEMPERATURE: -40°C to +85°C.
 INSULATION RESISTANCE: 600VDC 10M-ohms min.
 ESD RESISTANCE: ± 2KV (25 contact) / ± 8KV (25 air discharge).
 IMPACT RESISTANCE PROTECTION: IK02 (PC) / IK10 (Metal).
 WATER-PROOF PROTECTION: IP68 (Without load).
 PANEL WATER-PROOF PROTECTION: IP66.
 UV RESISTANCE: UVA / UVB.

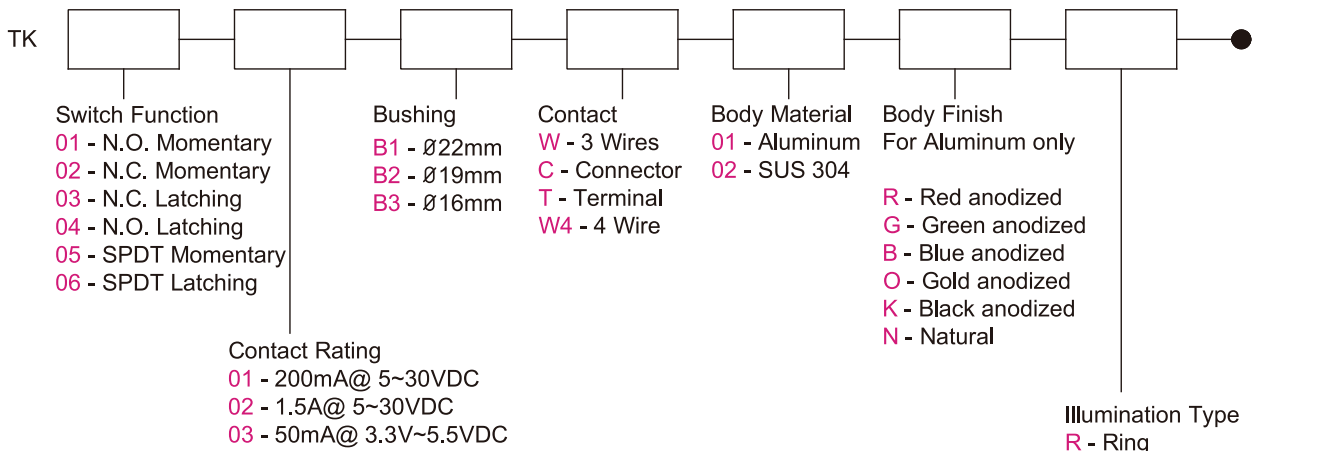
MATERIALS:

KEY: Stainless steel / Aluminum.
 LENS: PC (UL 94V-0).
 HOUSING: Stainless steel / Aluminum.
 CABLE: UL1007 22 AWG.
 TERMINAL: Brass silver plated.
 PANEL SEAL: EVA.

Specifications and Dimensions subject to change

If your preferred product configuration is not shown, please contact our sales representative for custom design.

HOW TO ORDER SYSTEM



- 1 LED type**
- NR - NA / Red
 - NG - NA / Green
 - NB - NA / Blue
 - NY - NA / Yellow
 - NW - NA / White
 - RN - Red / NA
 - GN - Green / NA
 - BN - Blue / NA
 - YN - Yellow / NA
 - WN - White / NA

- 2 LED type**
- RG - Red / Green
 - RB - Red / Blue
 - BG - Blue / Green
 - WY - White / Yellow
 - GR - Green / Red
 - BR - Blue / Red
 - GB - Green / Blue
 - YW - Yellow / White

Example:
NR (Momentary)

	Color
Power ON	NA
Touch	Red
Release Touch	NA
Loop...	

Example:
BG (Latching)

	Color
Power ON	Blue
Touch	Green
Release Touch	Green
Touch	Blue
Release Touch	Blue
Loop...	

SWITCH FUNCTIONS

※ Power ON Status

	Non-Illuminated	1 LED		2 LED
NO - MOM				
NC - MOM				
NC - NO Latching				
NO - NC Latching				
SPDT Momentary				
SPDT Latching				

Toggle

Rocker

Slide

Pushbutton

AV
















Rotary

Tact

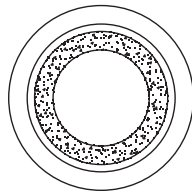
Touch Key

Miscellaneous

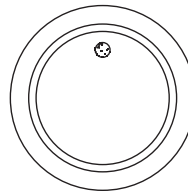
ILLUMINATION TYPES

Mark options									
Ordering Code									
1	2	3	4	5	6	7	8	9	10
001	002	003	004	005	006	007	008	009	010
					OK	POWER	STOP	ON	OFF
011	012	013	014	015	016	017	018	019	020
									
021	022	023	024	025	026	027	028	029	030

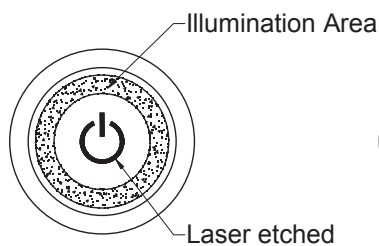
Ring



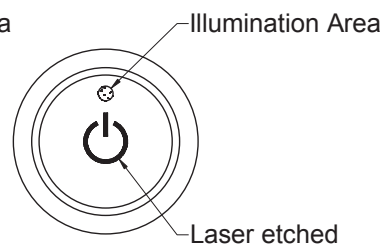
Circle



* Example of Ring / Circle type with mark



Part Code: R011



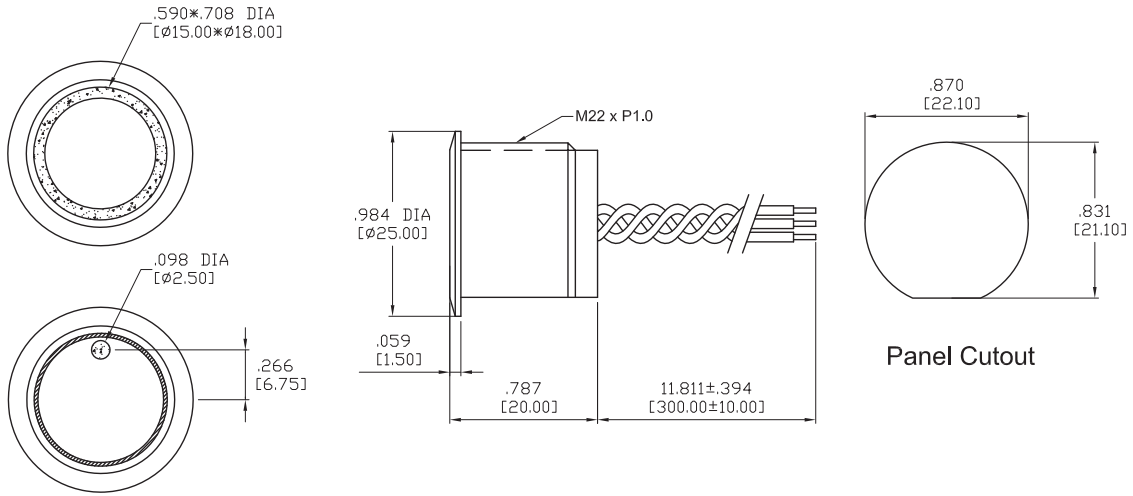
Part Code: C011

* Please consult factory for a customized illumination option.

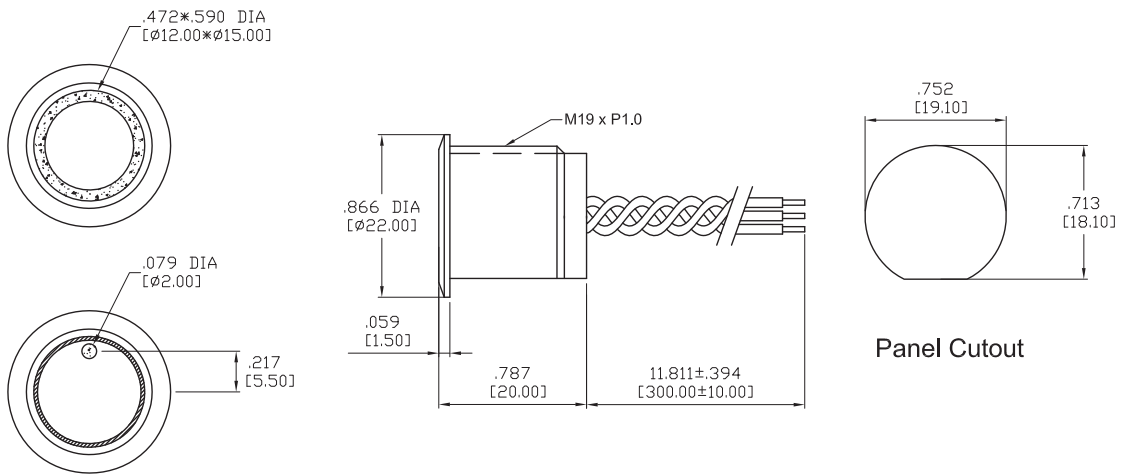
Series TK

Touch Key Switches

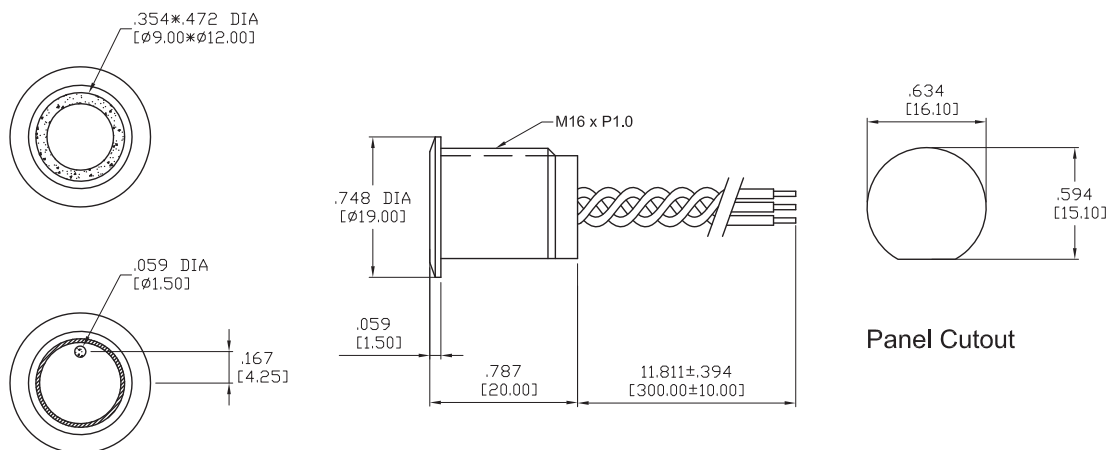
Ø22mm Mounting



Ø19mm Mounting



Ø16mm Mounting



Toggle

Rocker

Slide

Pushbutton

AV

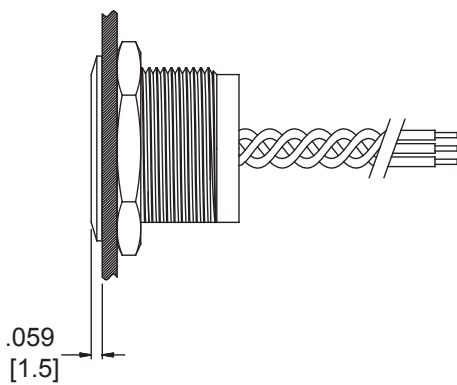
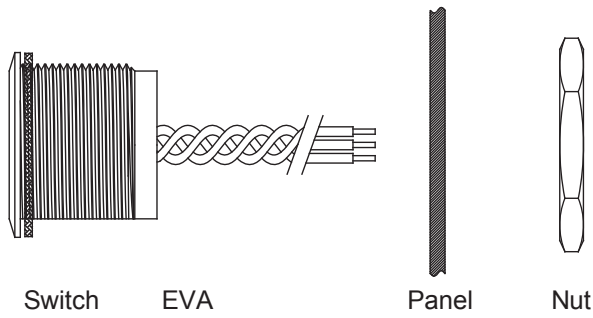
Rotary

Tact

Touch Key

Miscellaneous

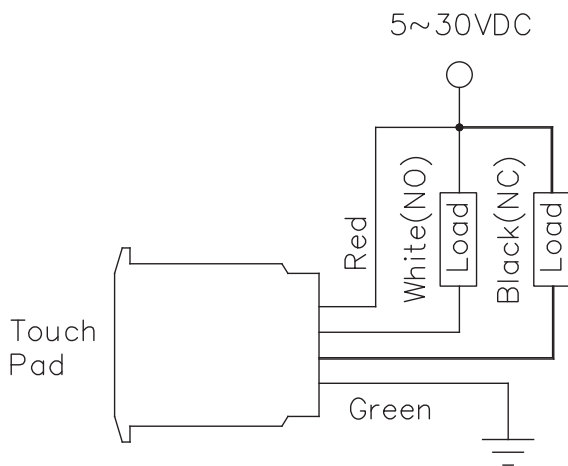
Assembly Drawing



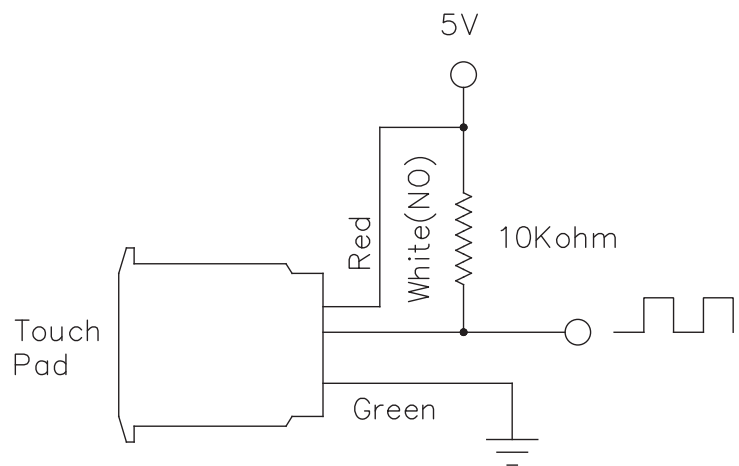
Panel Thickness	0.7~10.0t
Nut Spec.	19*3-M16*P1.0
	22*3-M19*P1.0
	25*3-M22*P1.0
Assembly Force	20N/mm ²

Cable Position		
INPUT	OUTPUT	GND
Red	White	Green

Application



[Driver Load]



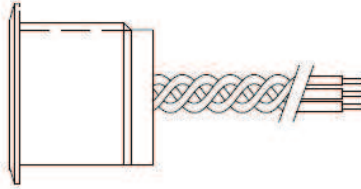
[TTL Output]

Series TK

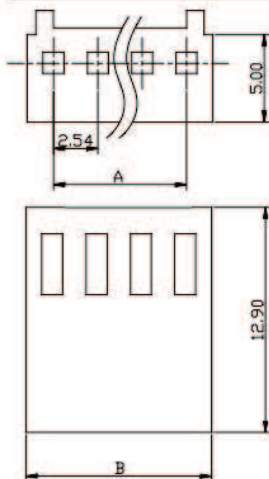
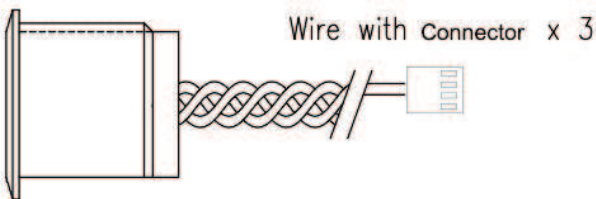
Touch Key Switches

CONTACTS TYPE

W - 3 Wires



C - Connector

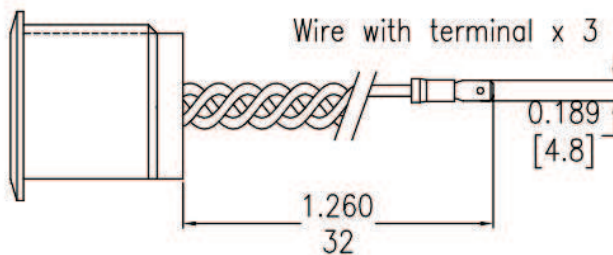


Specifications

Current Rating: 3A AC, DC
 Voltage Rating: 250 AC Maximum
 Operating Temp: -25°C ~ + 85°C
 Contact Resistance: 20mΩ Max
 Insulation Resistance: 1000MΩ Min
 Terminal Material: Brass/ Tin-plated/ Gold-plated
 Material: Nylon 66, UL94V-2

Circuits	Dimension mm	
	A	B
03	5.08	8.16

T - Terminal



W4 - 4 Wire

