

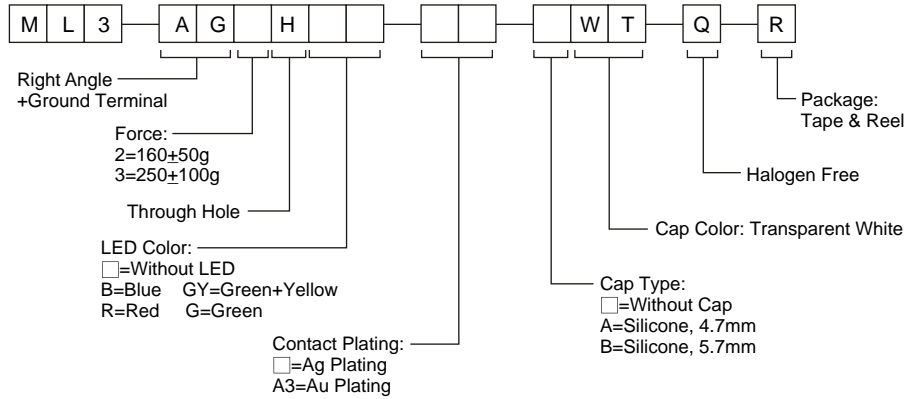
ML3 SERIES

Tact Switch Illuminated



NEW

HOW TO ORDER



SPECIFICATION

MECHANICAL

Operation Force: 160±50gf
 Stroke : 0.20±0.10mm

ENVIRONMENTAL

Operation Temperature Range : -40°C to +85°C
 Storage Temperature Range : -40°C to +85°C

ELECTRICAL

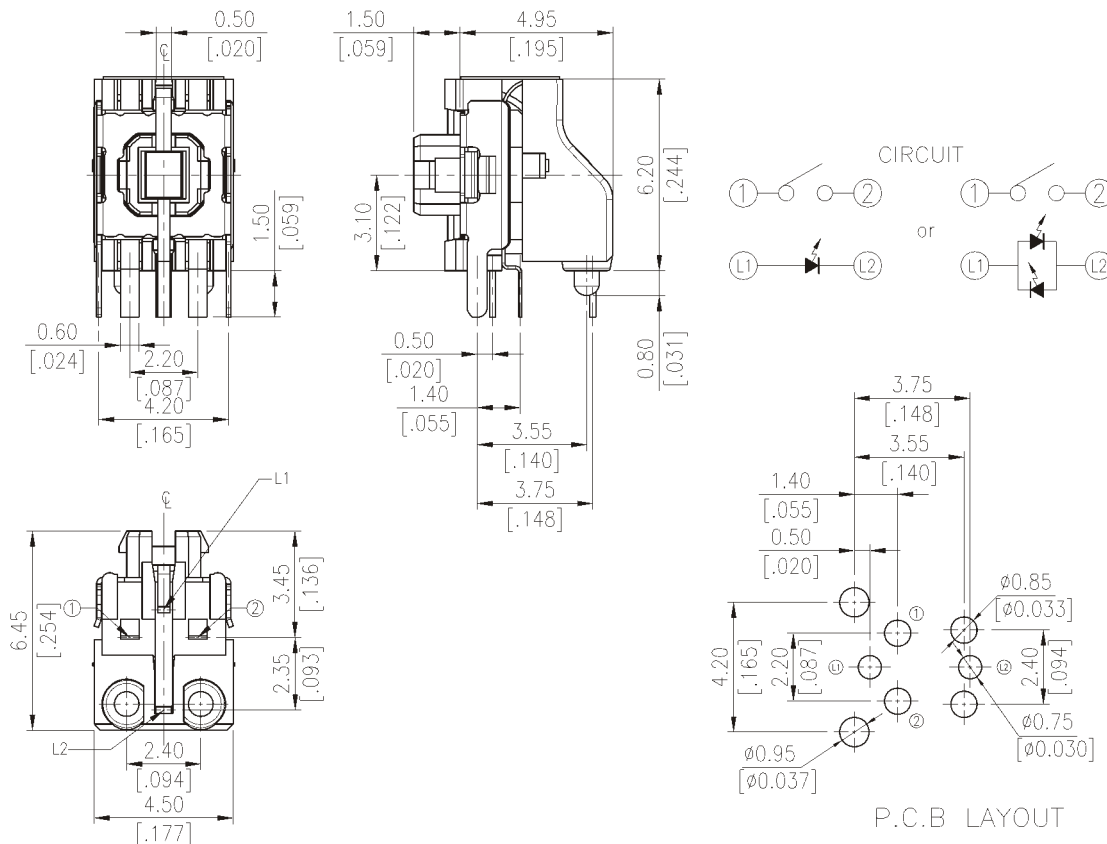
Electrical Life: 300,000 cycles.
 Rating: 50mA, 12VDC

PACKAGE

Tape & Reel: 550 pcs/reel

Please contact the sales in charge for other LED colors requirement.

ML3



ML3 SERIES

Tact Switch Illuminated



ILLUMINATED SWITCH

ML3

