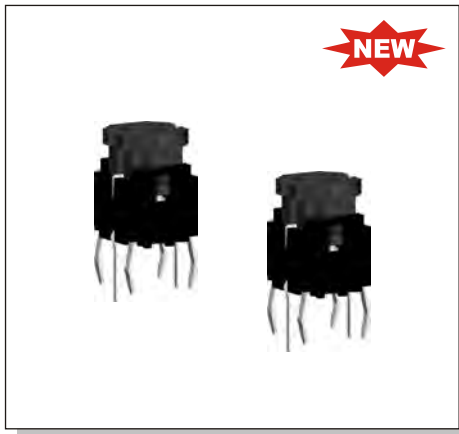
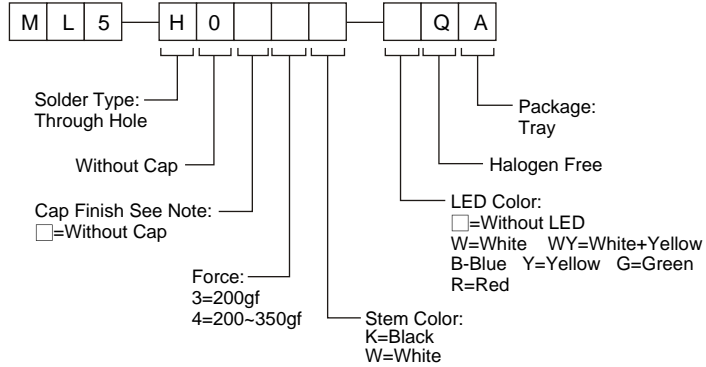


ML5 SERIES

Tact Switch Illuminated



HOW TO ORDER



SPECIFICATION

MECHANICAL

Operation Force: 200±70gf, 200~350gf
 Stroke : 1.20±0.20mm

ENVIRONMENTAL

Operation Temperature Range : -40°C to +85°C
 Storage Temperature Range : -40°C to +85°C

ELECTRICAL

Electrical Life: 50,000 cycles.
 Rating: 50mA, 12VDC

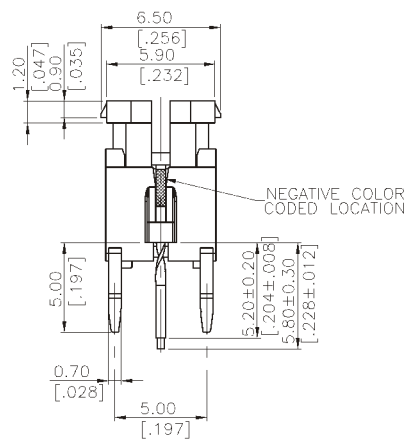
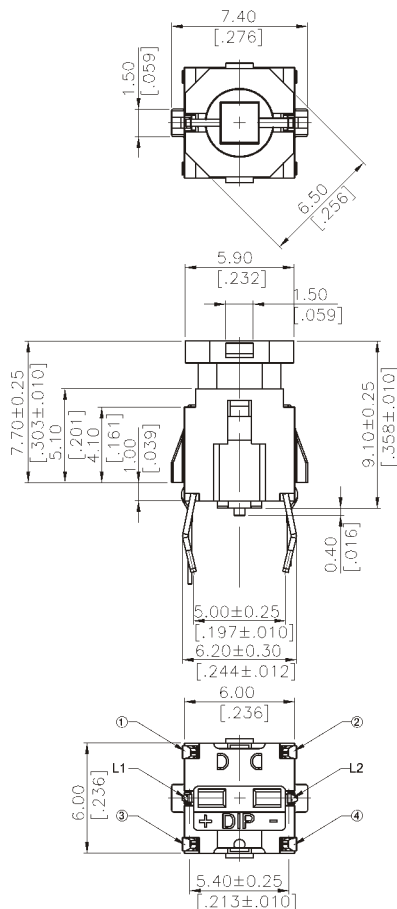
PACKAGE

140 pcs/tray

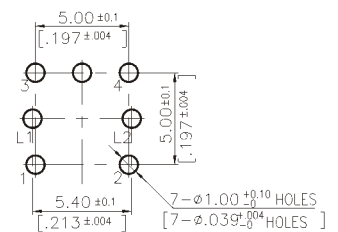
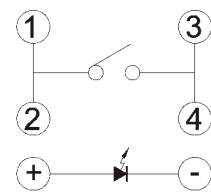
Please contact the sales in charge for other LED colors requirement.

ILLUMINATED SWITCH

ML5



CIRCUIT



P.C.B. LAYOUT