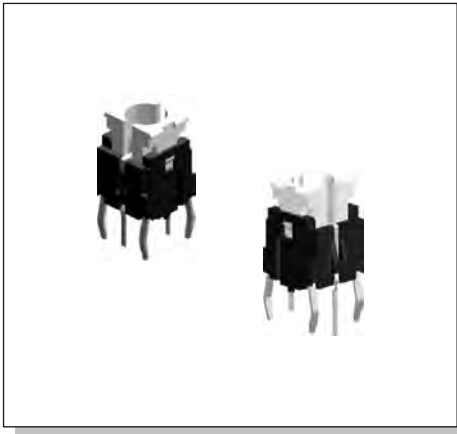


ML6-H0 SERIES

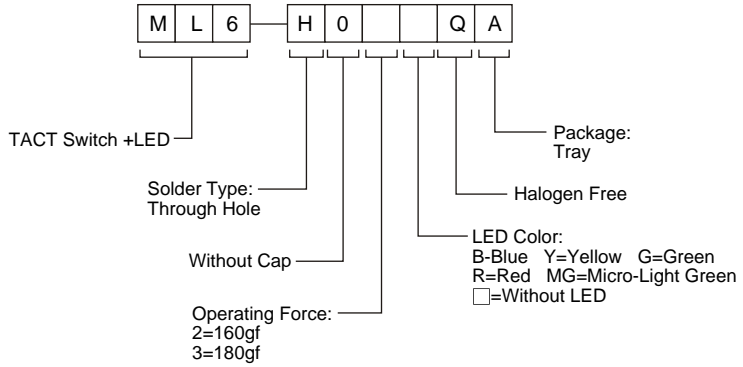
Tact Switch Illuminated



ILLUMINATED SWITCH



HOW TO ORDER



SPECIFICATION

MECHANICAL

Operation Force: 160±50gf, 180±50gf
Stroke: 0.25±0.15 mm

ENVIRONMENTAL

Operation Temperature Range : -40°C to +85°C
Storage Temperature Range : -40°C to +85°C

ELECTRICAL

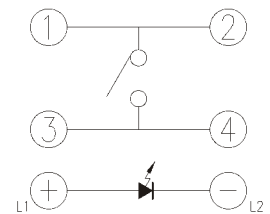
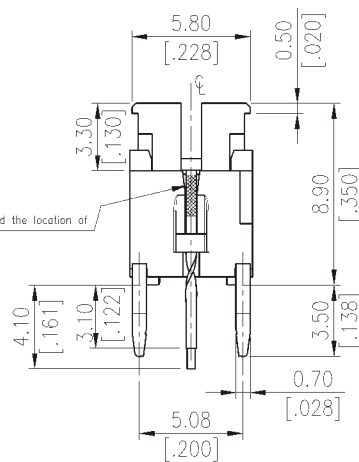
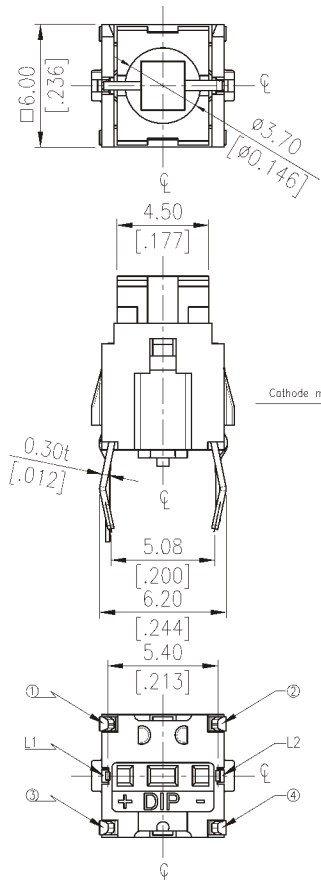
Electrical Life: 300,000 cycles.
Rating: 50mA, 12VDC

PACKAGE

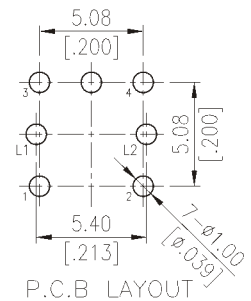
140 pcs/tray

Please contact the sales in charge for other LED colors requirement.

ML6-H0



CIRCUIT



P.C.B. LAYOUT

ML6-H1 SERIES

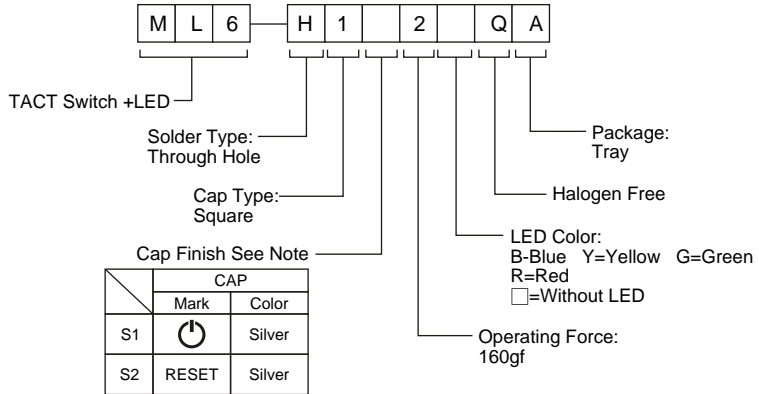
Tact Switch Illuminated



NEW



HOW TO ORDER



SPECIFICATION

MECHANICAL

Operation Force: 160±50gf
Stroke: 0.25±0.15 mm

ENVIRONMENTAL

Operation Temperature Range : -40°C to +85°C
Storage Temperature Range : -40°C to +85°C

ELECTRICAL

Electrical Life: 300,000 cycles.
Rating: 50mA, 12VDC

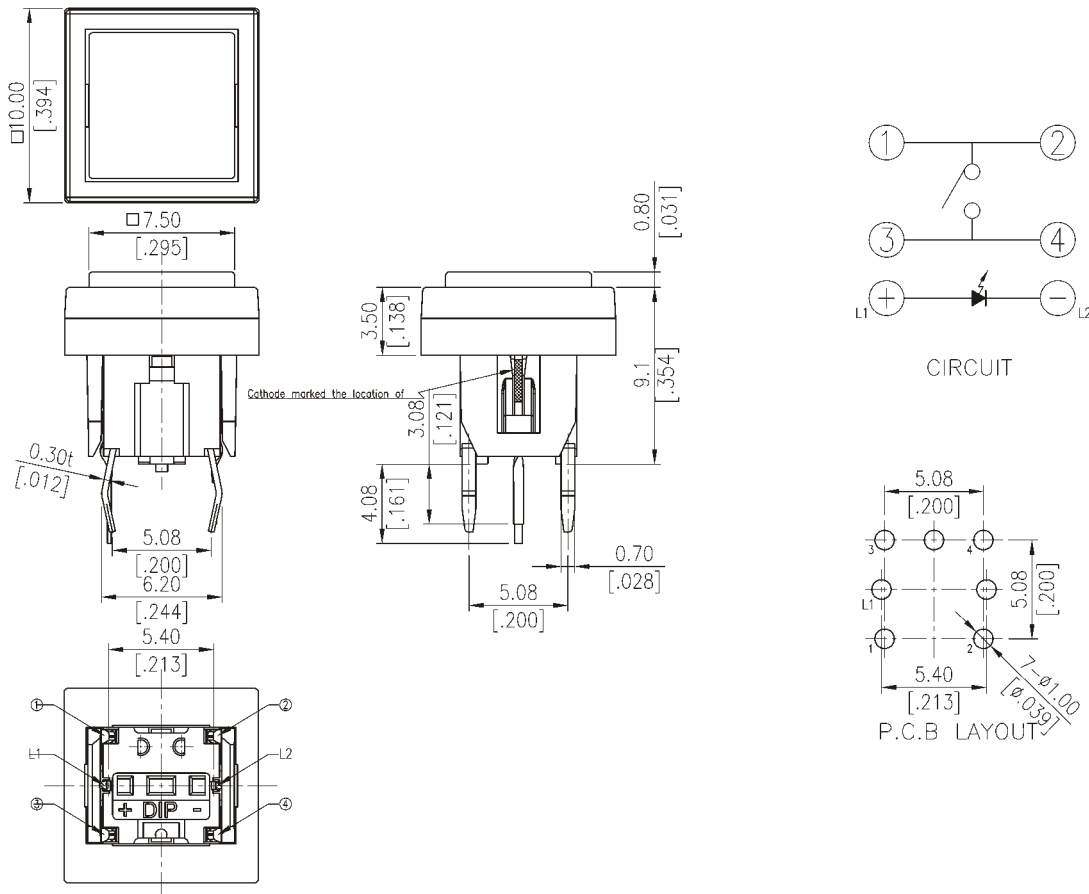
PACKAGE

100 pcs/tray

Please contact the sales in charge for other LED colors requirement.

ILLUMINATED SWITCH

ML6-H1

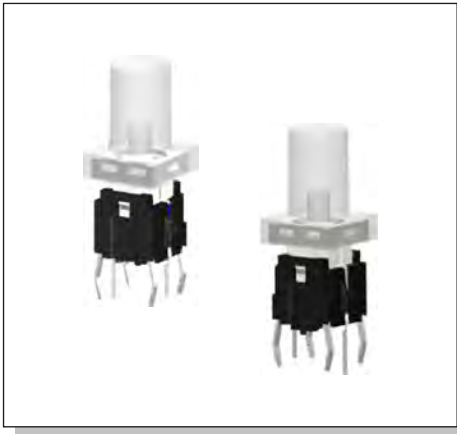


ML6-H2 SERIES

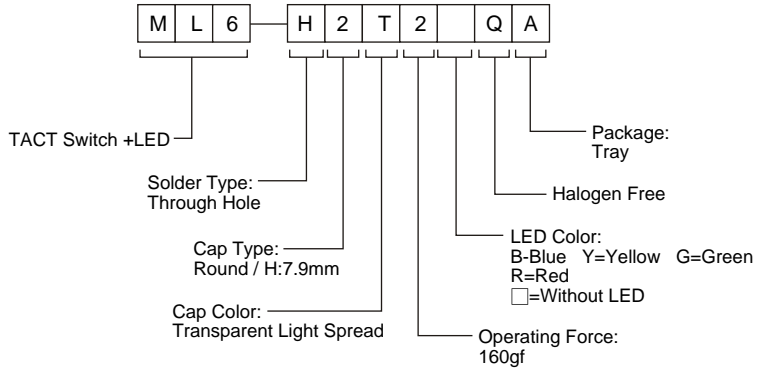
Tact Switch Illuminated



ILLUMINATED SWITCH



HOW TO ORDER



SPECIFICATION

MECHANICAL

Operation Force: 160±50gf
Stroke: 0.25±0.15 mm

ENVIRONMENTAL

Operation Temperature Range : -40°C to +85°C
Storage Temperature Range : -40°C to +85°C

ELECTRICAL

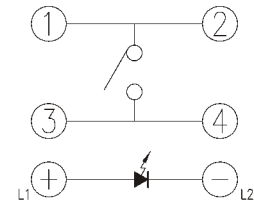
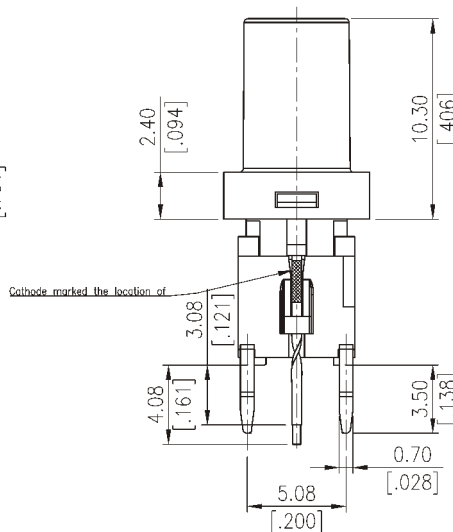
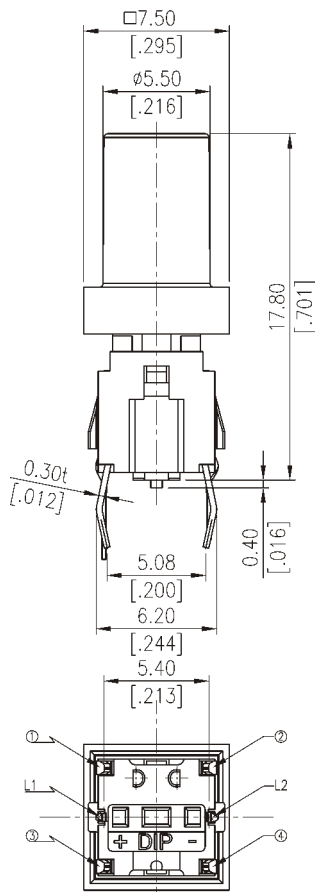
Electrical Life: 300,000 cycles.
Rating: 50mA, 12VDC

PACKAGE

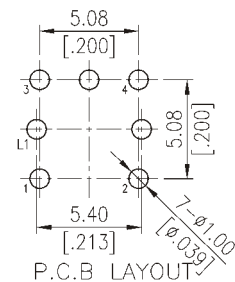
100 pcs/tray

Please contact the sales in charge for other LED colors requirement.

ML6-H2



CIRCUIT



P.C.B. LAYOUT

ML6-H4 SERIES

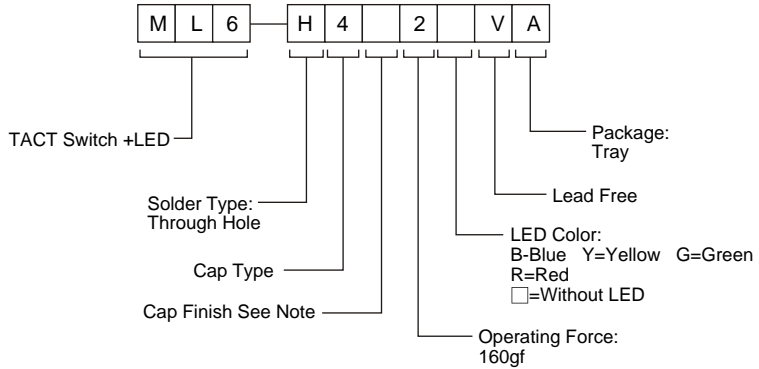
Tact Switch Illuminated



NEW



HOW TO ORDER



SPECIFICATION

MECHANICAL

Operation Force: 160±50gf
Stroke: 0.25±0.15 mm

ENVIRONMENTAL

Operation Temperature Range : -40°C to +85°C
Storage Temperature Range : -40°C to +85°C

ELECTRICAL

Electrical Life: 300,000 cycles.
Rating: 50mA, 12VDC

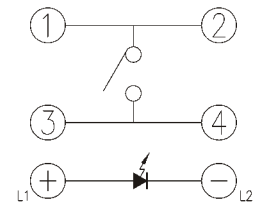
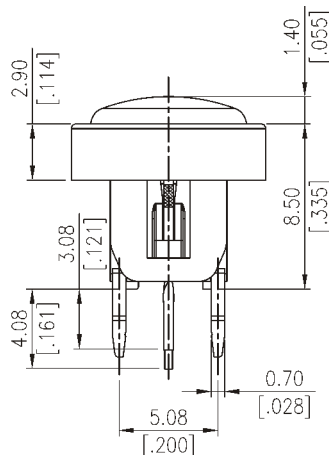
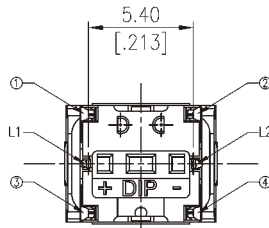
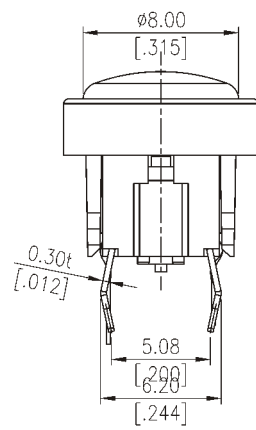
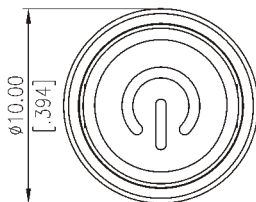
PACKAGE

100 pcs/tray

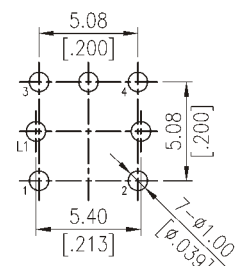
Please contact the sales in charge for other LED colors requirement.

	CAP	
	Mark	Color
K1		Black
S1		Silver
K3	RESET	Black
S3		Silver

ML6-H4



CIRCUIT



P.C.B. LAYOUT

ILLUMINATED SWITCH
ML6-H5 SERIES

Tact Switch
Illuminated



FEATURES

- ✘ Customized cap options
- ✘ Bi-color LED available
- ✘ Long operating life

APPLICATION

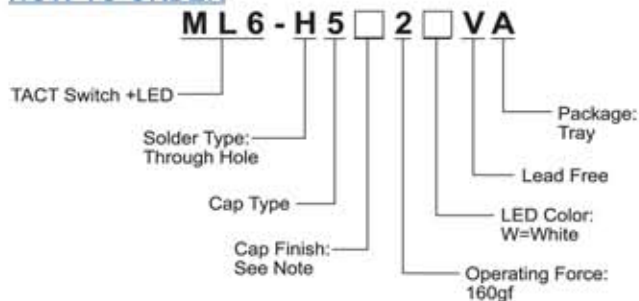
- ✘ Sever, modem, data storage
- ✘ Audio module
- ✘ Office equipment

SPECIFICATION

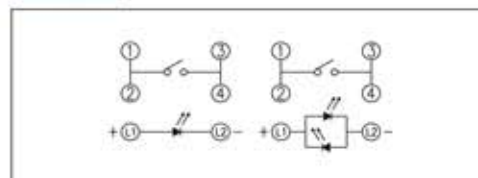
Contact Rating	50mA, 12V DC
Contact Resistance	100mΩ max.
Insulation Resistance	100MΩ min. 100V DC
Dielectric Strength	250V AC/1 minute
Operating Force	180±50gf
Travel	0.25±0.15mm
Operating Life	300,000 cycles
Operating Temp.	-40°C ~ +85°C
Storage Temp.	-40°C ~ +85°C



HOW TO ORDER



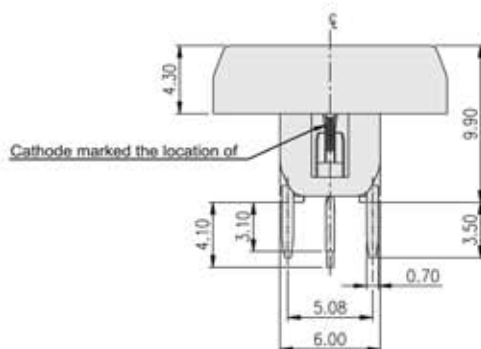
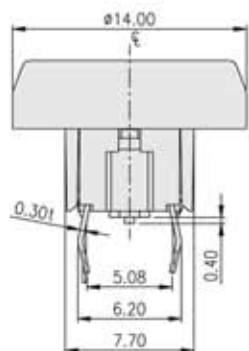
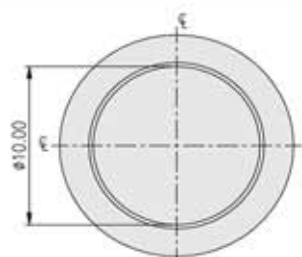
CIRCUIT



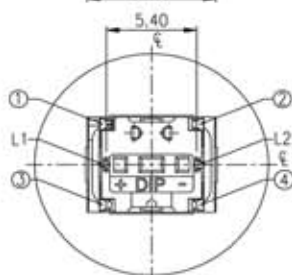
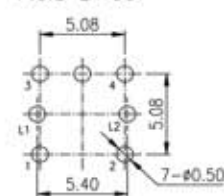
PACKAGE

<Tray>
100 pcs.

ML6-H5



P.C.B LAYOUT



Note :

		CAP	
	Mark	Color	
R4	Start	Red	

ML6-H6 SERIES

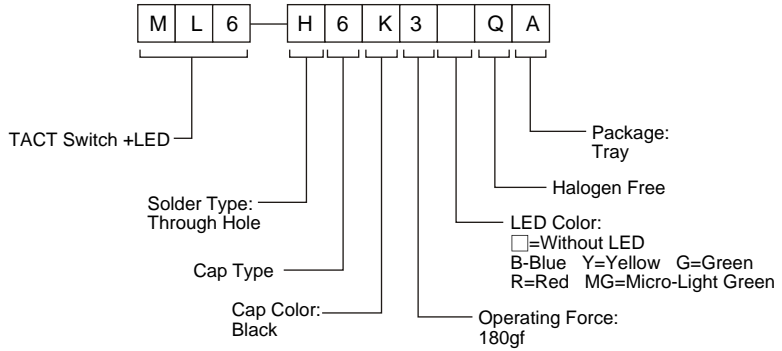
Tact Switch Illuminated



ILLUMINATED SWITCH



HOW TO ORDER



SPECIFICATION

MECHANICAL

Operation Force: 180±50gf
Stroke: 0.25±0.15 mm

ENVIRONMENTAL

Operation Temperature Range : -40°C to +85°C
Storage Temperature Range : -40°C to +85°C

ELECTRICAL

Electrical Life: 300,000 cycles.
Rating: 50mA, 12VDC

PACKAGE

100 pcs/tray

Please contact the sales in charge for other LED colors requirement.

ML6-H6

