

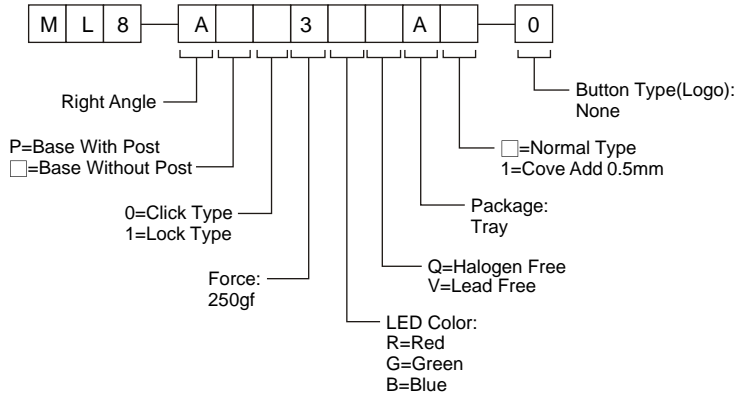
ML8 SERIES

Tact Switch Illuminated



NEW

HOW TO ORDER



SPECIFICATION

MECHANICAL

Operation Force: 250±100gf
Stroke : 1.50+0.50/-0mm

ENVIRONMENTAL

Operation Temperature Range : -10°C to +70°C
Storage Temperature Range : -40°C to +85°C

ELECTRICAL

Electrical Life: 10,000 cycles.
Rating: 0.1A, 30VDC

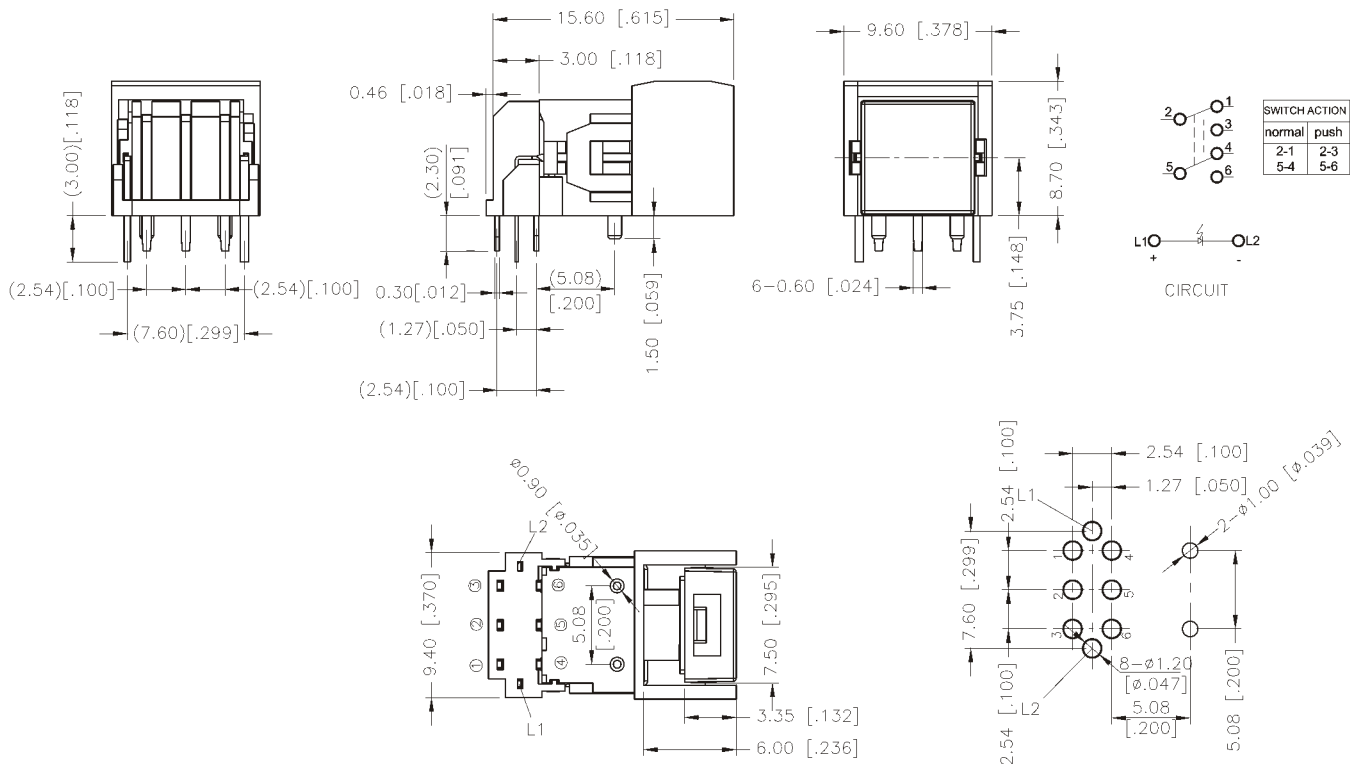
PACKAGE

120 pcs/tray

Please contact the sales in charge for other LED colors requirement.

ILLUMINATED SWITCH

ML8-AP13



ML8 SERIES

Tact Switch Illuminated



ILLUMINATED SWITCH

ML8-A03

