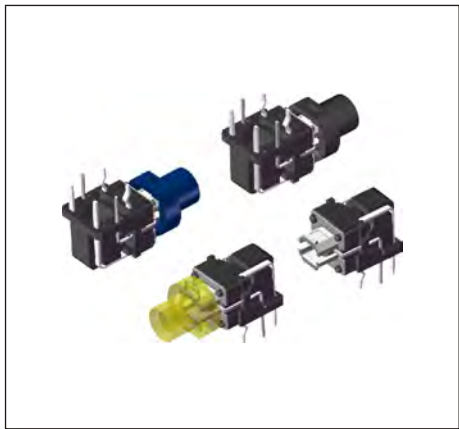
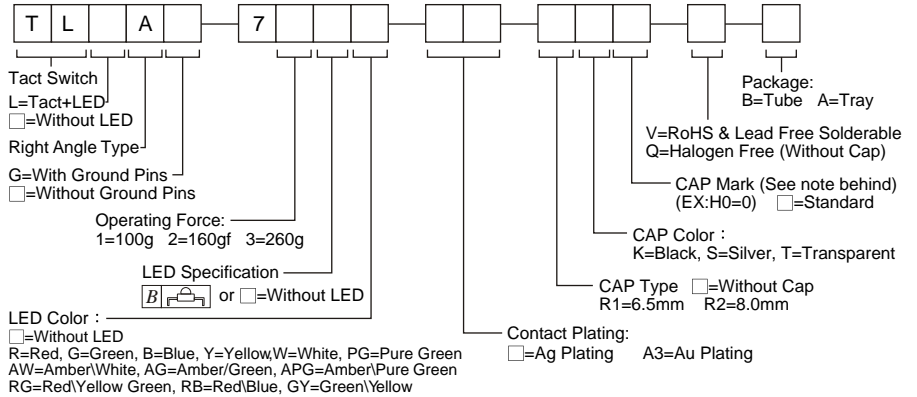


TLLA-7 SERIES

Tact Switch Illuminated



HOW TO ORDER



SPECIFICATION

MECHANICAL

Operation Force: 160±50gf
Stroke: 0.20±0.10 mm

ENVIRONMENTAL

Operation Temperature Range : -40°C to +85°C
Storage Temperature Range : -40°C to +85°C

ELECTRICAL

Electrical Life: 500,000 cycles.
Rating: 50mA, 12VDC

PACKAGE

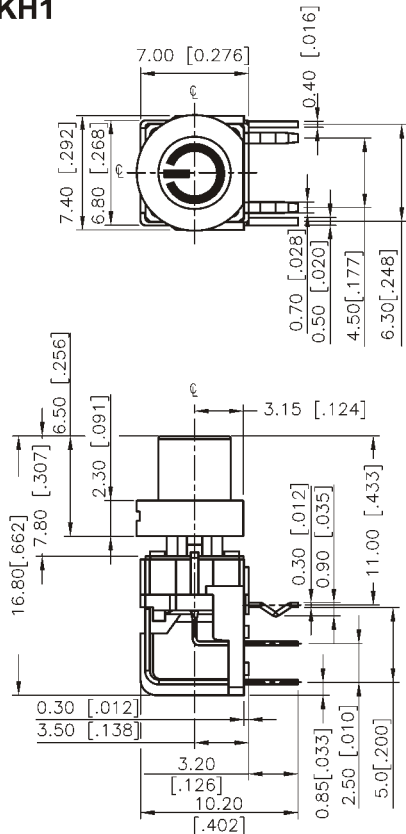
TLLA-7□-A: 100 pcs/tray
TLLA-7□-B: 64 pcs/tube

Please contact the sales in charge for other LED colors requirement.

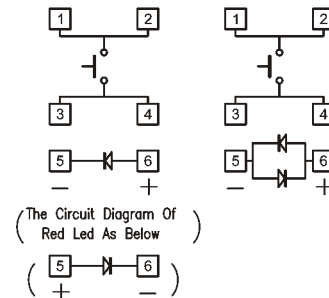
CAP MARK

	0	1	2	3	4	5	6	7	8	9
H	○	⏻	Ⓢ	↺	●			⏻		

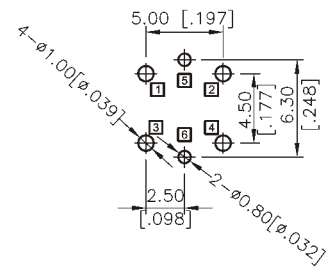
TLLA-72□□-R1KH1



SCHEMATIC



P.C.B. LAYOUT



COLOR OF LED

CODE	ONE COLOR	TWO COLOR
G	Green	(RG) (GY)
PG	Pure Green	(GB) (RY)
R	Red	(RB) (BY)
Y	Yellow	(APG)
B	Blue	

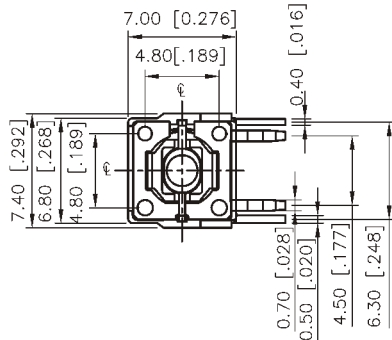
TLLA-7 SERIES

Tact Switch Illuminated

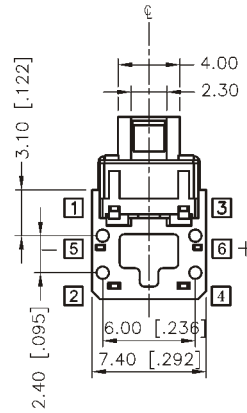
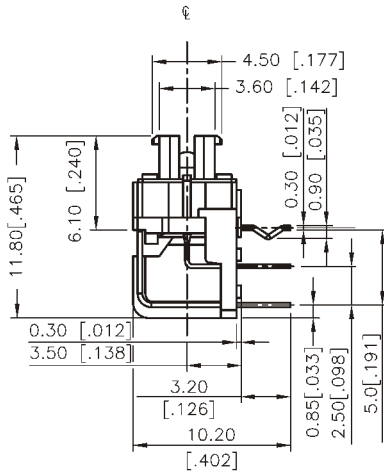
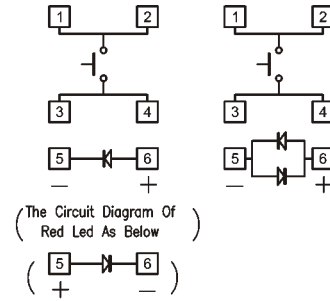


ILLUMINATED SWITCH

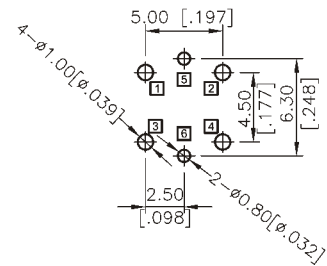
TLLA-72□□



SCHEMATIC



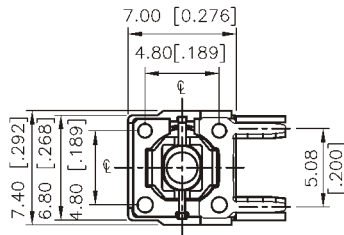
P.C.B. LAYOUT



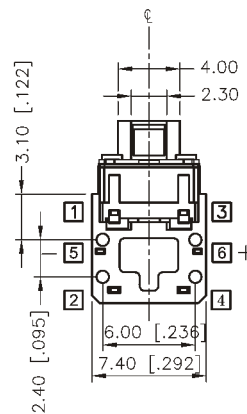
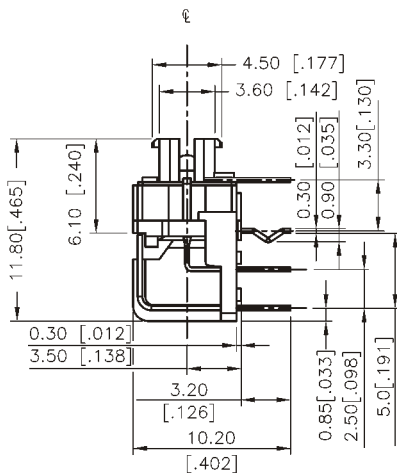
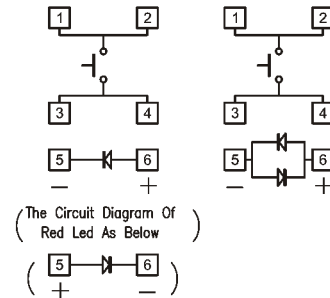
COLOR OF LED

CODE	ONE COLOR	TWO COLOR
G	Green	
PG	Pure Green	(RG) (GY)
R	Red	(GB) (RY)
Y	Yellow	(RB) (BY)
B	Blue	(APG)

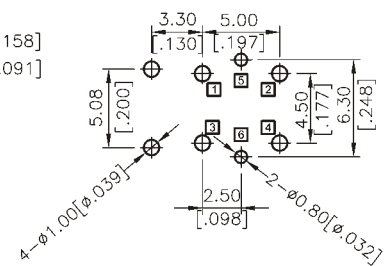
TLLAG-72□□



SCHEMATIC



P.C.B. LAYOUT



COLOR OF LED

CODE	ONE COLOR	TWO COLOR
G	Green	
PG	Pure Green	(RG) (GY)
R	Red	(GB) (RY)
Y	Yellow	(RB) (BY)
B	Blue	(APG)