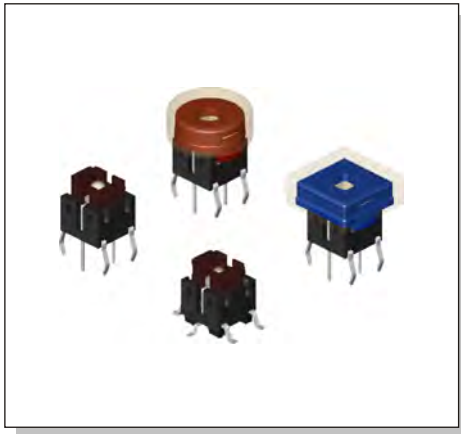
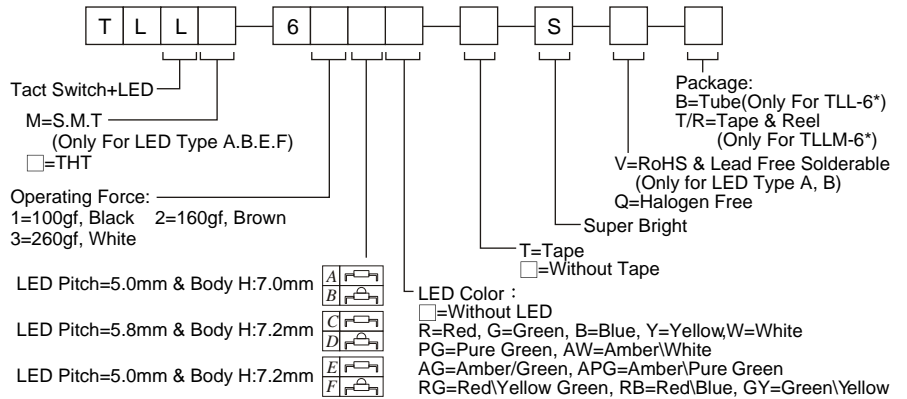


TL(L)-6 SERIES

Tact Switch Illuminated



HOW TO ORDER



SPECIFICATION

MECHANICAL

Operation Force: 100±50gf TL(L)-61
160±50gf TL(L)-62
260±50gf TL(L)-63

Stroke: 0.20±0.10 mm

ENVIRONMENTAL

Operation Temperature Range : -25°C to +70°C
Storage Temperature Range : -30°C to +80°C

ELECTRICAL

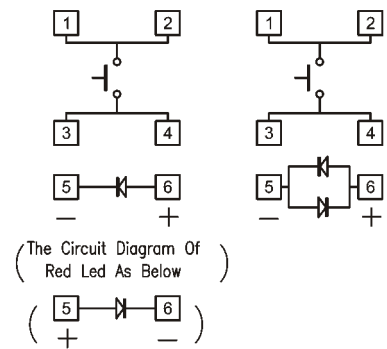
Electrical Life: 200,000 cycles.
Rating: 50mA, 12VDC

PACKAGE

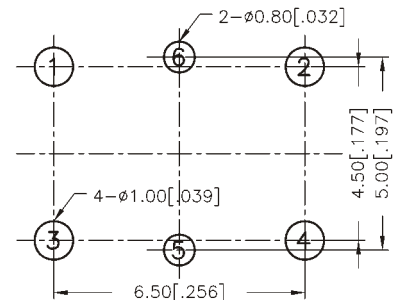
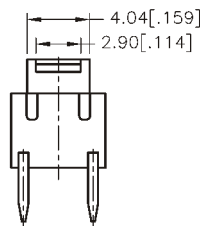
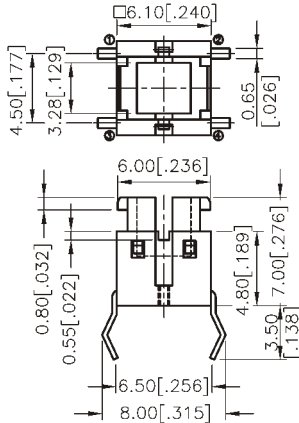
Tube: 75 pcs/tube
Tape & Reel: 450 (Only for TLLM-6)

Please contact the sales in charge for other LED colors for
other LED colors requirement.

CIRCUIT

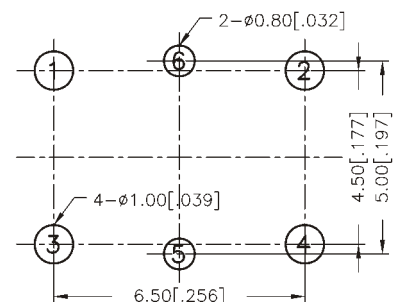
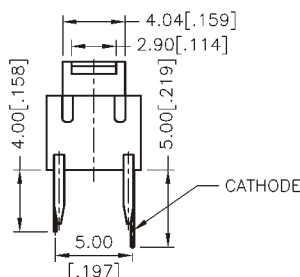
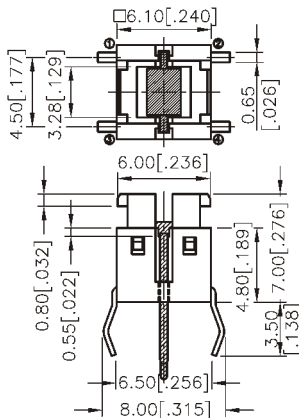


TL-6



P.C.B. LAYOUT

TLL-6A



P.C.B. LAYOUT

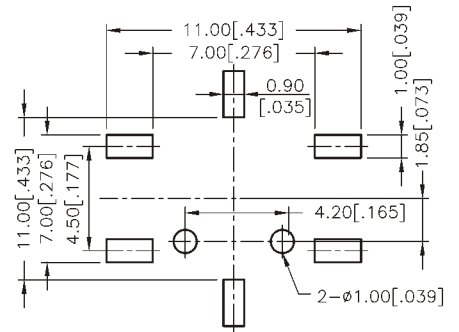
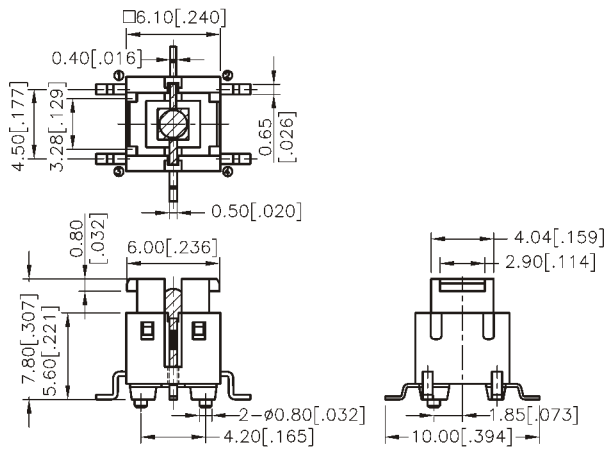
TL(L)-6 SERIES

Tact Switch Illuminated

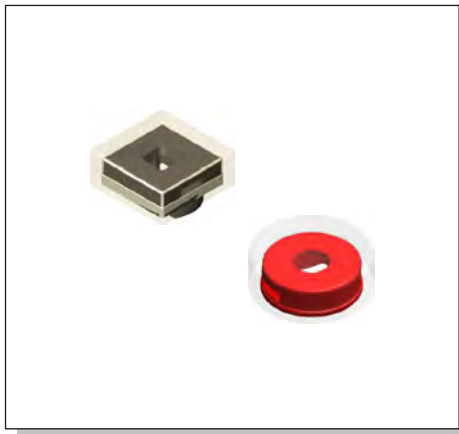


ILLUMINATED SWITCH

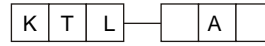
TLLM-6B



P.C.B. LAYOUT



HOW TO ORDER



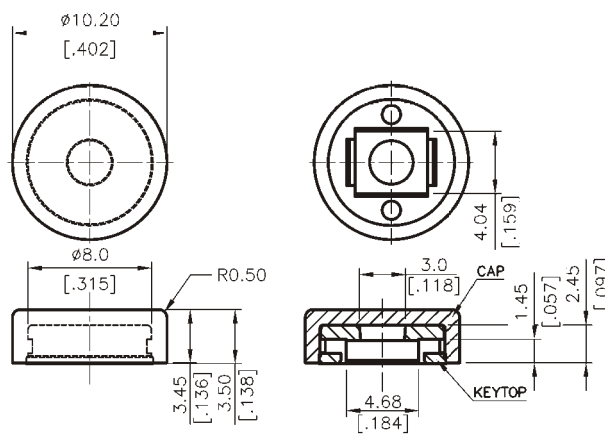
Color :
 Y=Yellow
 B=Blue
 R=Red
 I=Ivory
 K=Black
 G=Green
 S=Salmon

R=Round
 S=Square

Round 10mm or Square 10mm

* PACKAGE: 500 pcs/bag

KTL-RA



KTL-SA

