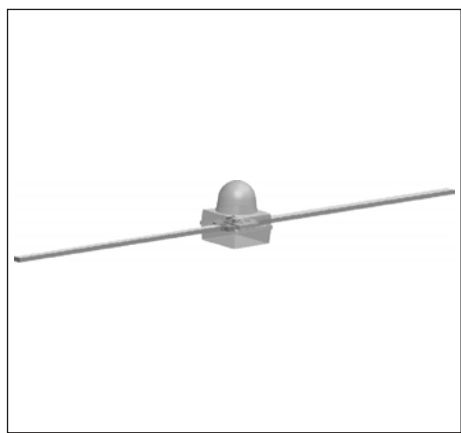
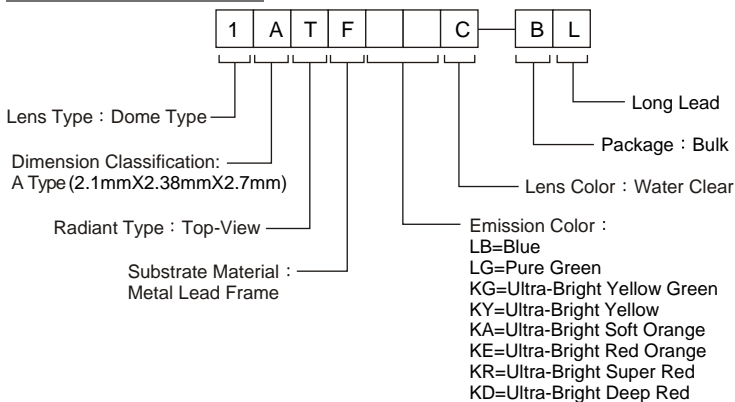


1ATF-BL SERIES

Dome Type Lens



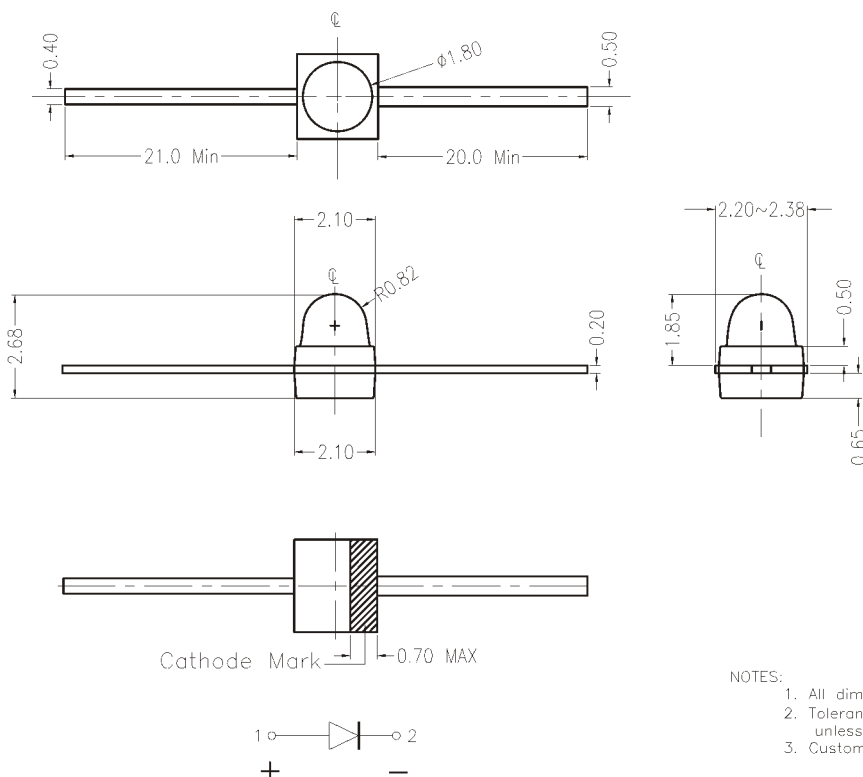
HOW TO ORDER



SPECIFICATION

Part No.	Dominant Wavelength λ_D Typ.(nm)	Luminous Intensity I_v Typ.(mcd)	Forward Voltage V_F		View Angle Typ.($2 \cdot \theta_{1/2}$)
			Typ.(V)	Max.(V)	
1ATFLBC-BL	470	1100	3.1	3.6	30°
1ATFLGC-BL	520	2500	3.2	3.6	
1ATFKGC-BL	570	550	2.0	2.3	
1ATFKYC-BL	590	1500	2.0	2.3	
1ATFKAC-BL	605	1500	2.0	2.3	
1ATFKEC-BL	620	2000	2.0	2.3	
1ATFKRC-BL	630	1300	2.0	2.3	
1ATFKDC-BL	640	800	2.0	2.3	

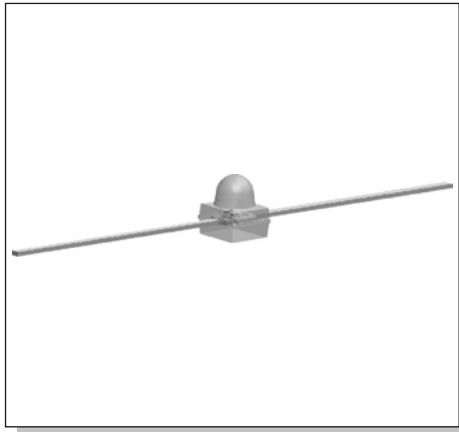
※All Item @20mA



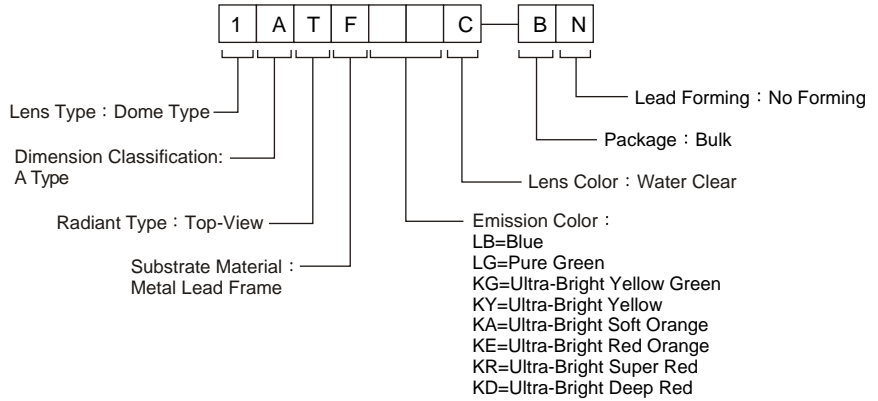
- NOTES:
1. All dimensions are in millimeters.
 2. Tolerance is $\pm 0.10\text{mm}(.004")$ unless otherwise noted.
 3. Customized request are welcome!

1ATF-BN SERIES

Dome Type Lens



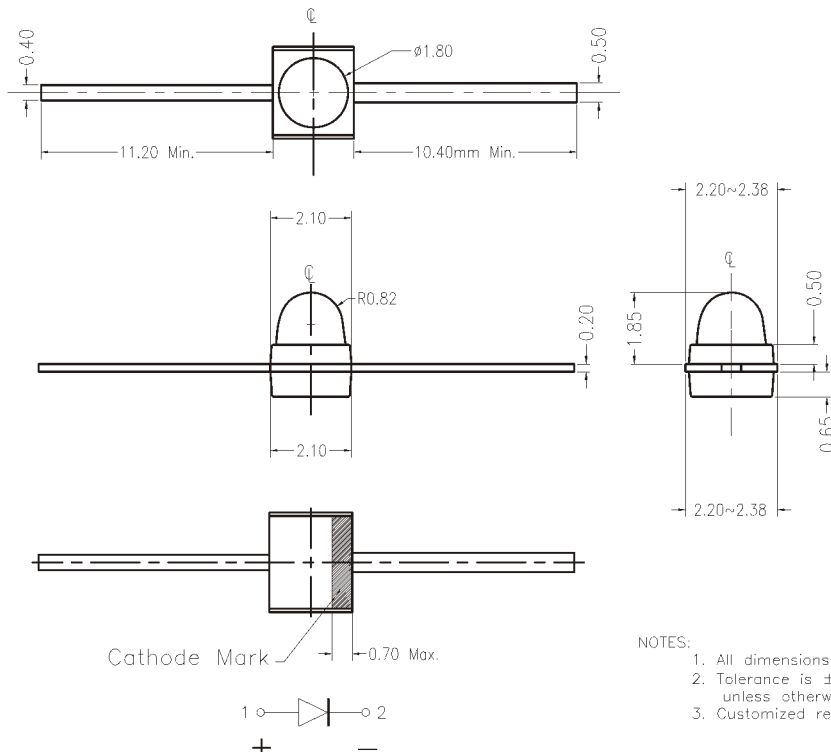
HOW TO ORDER



SPECIFICATION

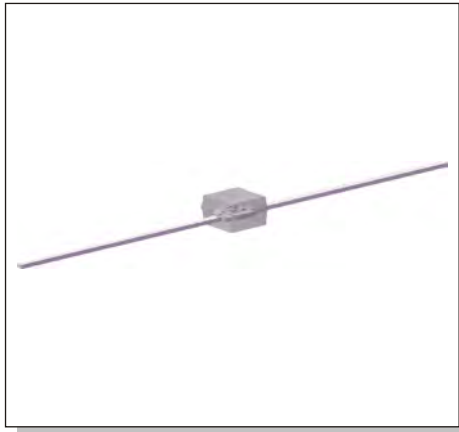
Part No.	Dominant Wavelength λ_D Typ.(nm)	Luminous Intensity I_v Typ.(mcd)	Forward Voltage V_F		View Angle Typ.($2 \cdot \theta_{1/2}$)
			Typ.(V)	Max.(V)	
1ATFLBC-BN	470	1100	3.1	3.6	30°
1ATFLGC-BN	520	2500	3.2	3.6	
1ATFKGC-BN	570	550	2.0	2.3	
1ATFKYC-BN	590	1500	2.0	2.3	
1ATFKAC-BN	605	1500	2.0	2.3	
1ATFKEC-BN	620	2000	2.0	2.3	
1ATFKRC-BN	630	1300	2.0	2.3	
1ATFKDC-BN	640	800	2.0	2.3	

※All Item @20mA

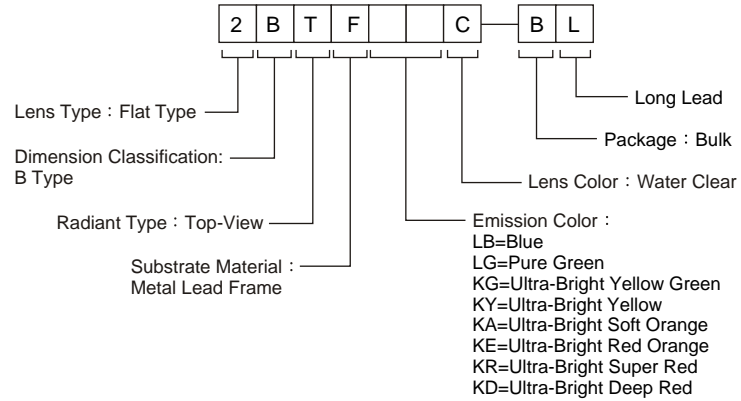


2BTF-BL SERIES

Flat Type Lens



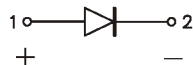
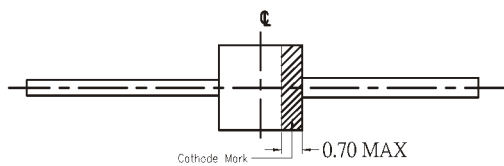
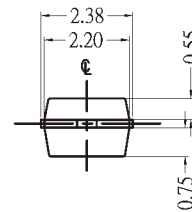
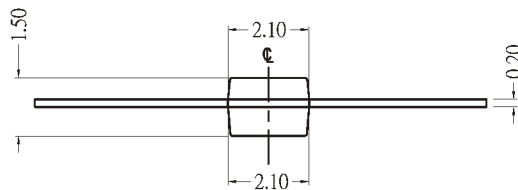
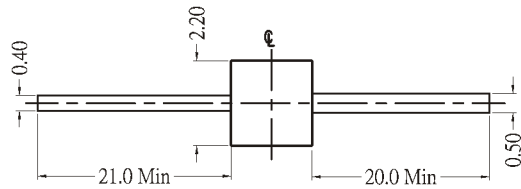
HOW TO ORDER



SPECIFICATION

Part No.	Dominant Wavelength λ_D Typ.(nm)	Luminous Intensity I_v Typ.(mcd)	Forward Voltage V_F		View Angle Typ.($2 \cdot \theta_{1/2}$)
			Typ.(V)	Max.(V)	
2BTFLBC-BL	470	70	3.1	3.6	140°
2BTFLGC-BL	520	200	3.2	3.6	
2BTFLKGC-BL	570	30	2.0	2.3	
2BTFLKYC-BL	590	80	2.0	2.3	
2BTFLKAC-BL	605	50	2.0	2.3	
2BTFLKEC-BL	620	90	2.0	2.3	
2BTFLKRC-BL	630	40	2.0	2.3	
2BTFLKDC-BL	640	30	2.0	2.3	

※All Item @20mA

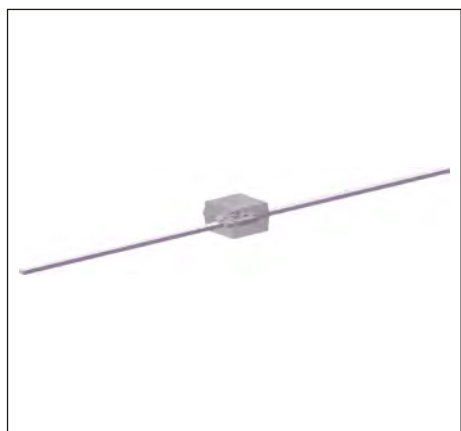


NOTES:

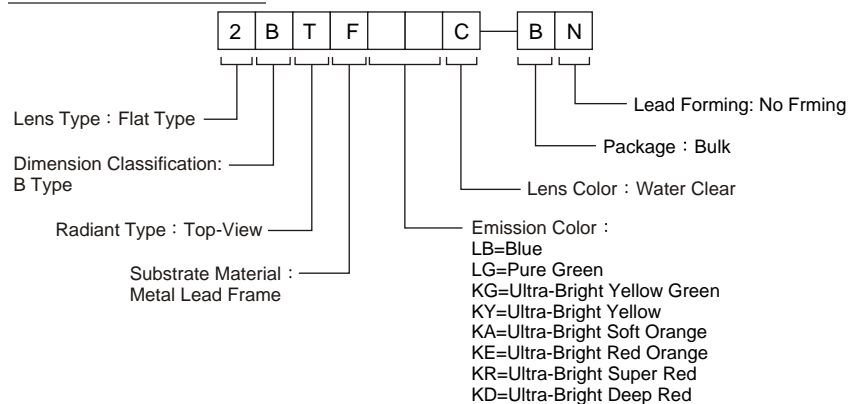
1. All dimensions are in millimeters.
2. Tolerance is $\pm 0.10\text{mm}(\pm 0.004")$ unless otherwise noted.
3. Customized request are welcome!

2BTf-BN SERIES

Flat Type Lens



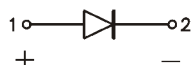
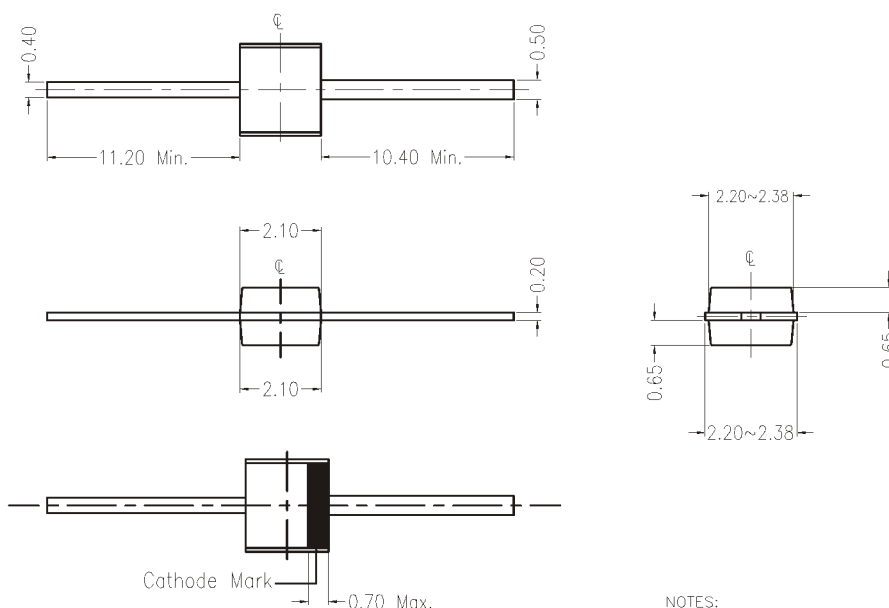
HOW TO ORDER



SPECIFICATION

Part No.	Dominant Wavelength λ_D Typ.(nm)	Luminous Intensity I_V Typ.(mcd)	Forward Voltage V_F		View Angle Typ.($2 \cdot \theta_{1/2}$)
			Typ.(V)	Max.(V)	
2BTFLBC-BN	470	70	3.1	3.6	140°
2BTFLGC-BN	520	200	3.2	3.6	
2BTFKGC-BN	570	30	2.0	2.3	
2BTFKYC-BN	590	80	2.0	2.3	
2BTFKAC-BN	605	50	2.0	2.3	
2BTFKEC-BN	620	90	2.0	2.3	
2BTFKRC-BN	630	40	2.0	2.3	
2BTFKDC-BN	640	30	2.0	2.3	

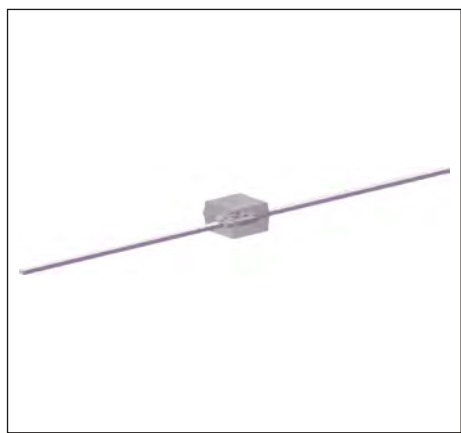
※All Item @20mA



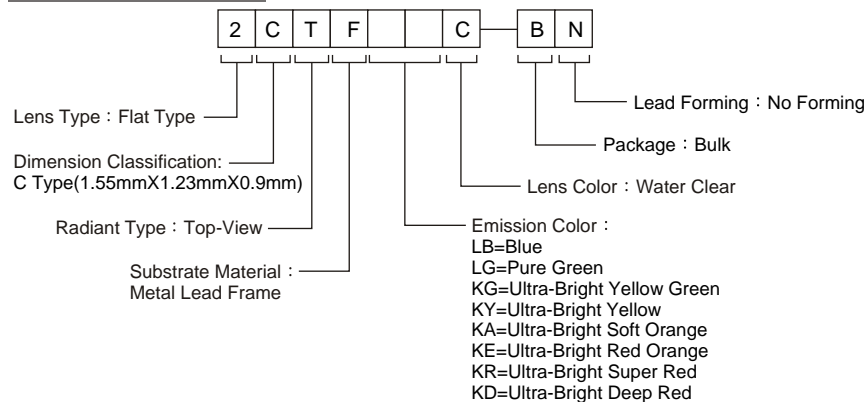
- NOTES:
1. All dimensions are in millimeters.
 2. Tolerance is $\pm 0.10\text{mm}(.004")$ unless otherwise noted.
 3. Customized request are welcome!

2CTF SERIES

Flat Type Lens



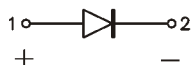
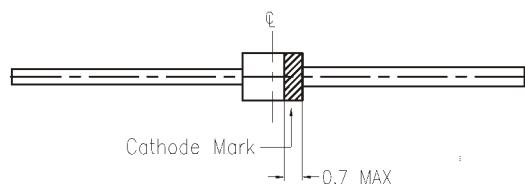
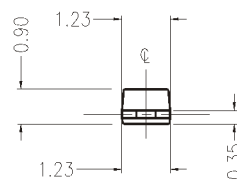
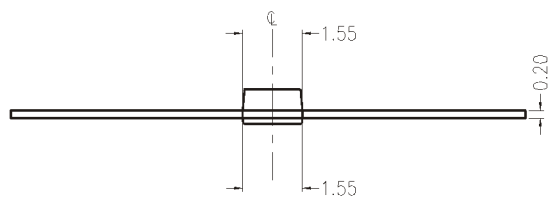
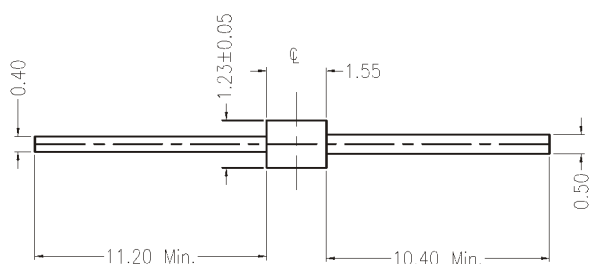
HOW TO ORDER



SPECIFICATION

Part No.	Dominant Wavelength λ_D Typ.(nm)	Luminous Intensity I_V Typ.(mcd)	Forward Voltage V_F		View Angle Typ.($2 \cdot \theta_{1/2}$)
			Typ.(V)	Max.(V)	
2CTFLBC-BN	470	70	3.1	3.6	140°
2CTFLGC-BN	520	200	3.2	3.6	
2CTFKGC-BN	570	30	2.0	2.3	
2CTFKYC-BN	590	50	2.0	2.3	
2CTFKAC-BN	605	50	2.0	2.3	
2CTFKEC-BN	620	90	2.0	2.3	
2CTFKRC-BN	630	40	2.0	2.3	
2CTFKDC-BN	640	30	2.0	2.3	

※All Item @20mA



NOTES:

1. All dimensions are in millimeters.
2. Tolerance is $\pm 0.10\text{mm}(.004")$ unless otherwise noted.
3. Customized request are welcome!