

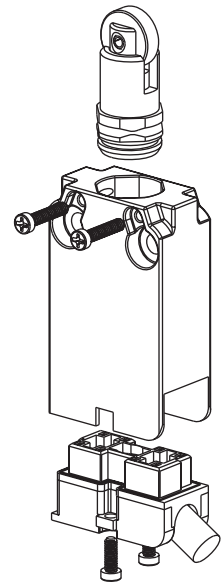
Compact Safety Limit Switches (Modular Design, Metal body, IP67) SM31 SERIES (20mm) and SM32 SERIES (25mm)

Selection Guide:

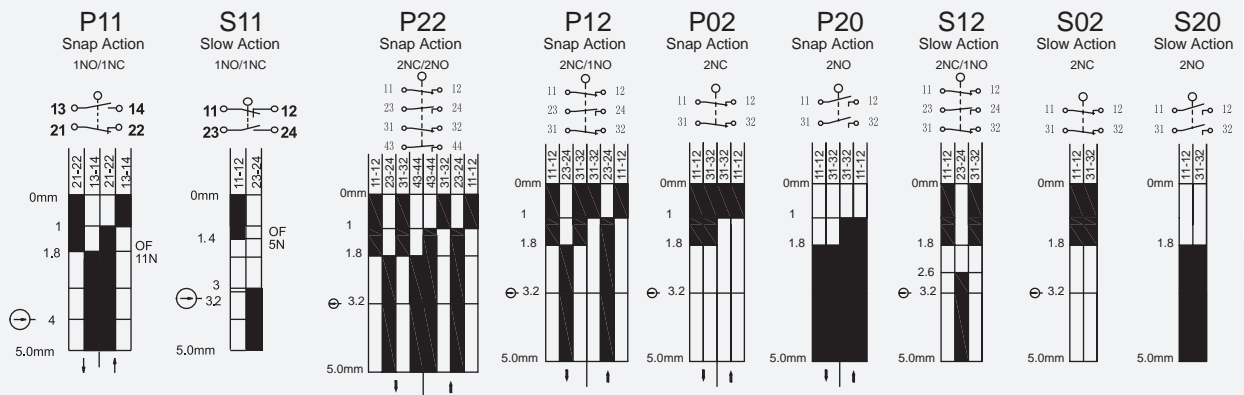
SM3	1	-	P	-	11	-	12	-	H	-	A	-	2
Housing							Head Style						
20mm mounting	1		P Snap Action		11 1NO/1NC		Blank Standard head		A Side exit cable				2 2 meters cable
25mm mounting	2		S Slow Action		12 1NO/2NC		H Horizontal head						
					20 2NO								
					21 2NO/1NC								
					22 2NO/2NC								
					02 2NC								

Specification

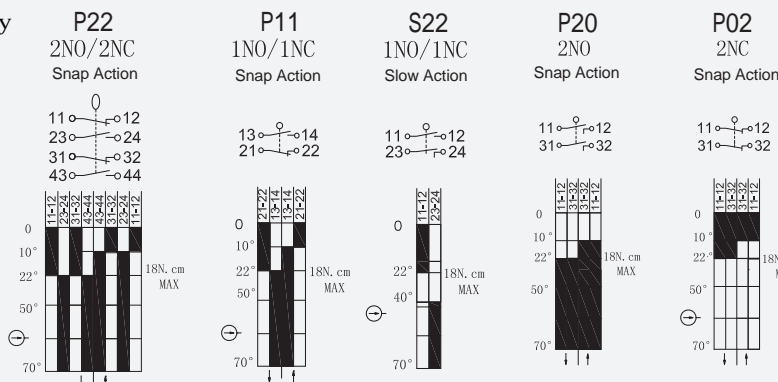
Operating Speed	0.05mm-2m/sec		
Operating Frequency	Mechanical: 120ops/min Electrical: 30 ops/min		
Insulation Resistance	>100MΩ@500V DC		
Contact Resistance	<25mΩ (initial value)		
Rated Voltage	300V AC (EN60947-5-1)		
Rated Thermal Current	5A		
Electrical Rating	AC15 B300 DC13 R300		
Dielectric Strength	1000VAC for 1 min between current carrying parts 2500VAC for 1 min between non-current carrying parts		
Service Life	Mechanically 1 x10 ⁷ (operations) Electrically 2 x10 ⁶ (operations)		
Operating Temperature	-25~+85°C without formation of ice		
Humidity	< 95%RH		
Cable	5 core, 0.75mm ²	7 core, 0.5mm ²	9 core, 0.34mm ²
Degree of Protection	IP67		



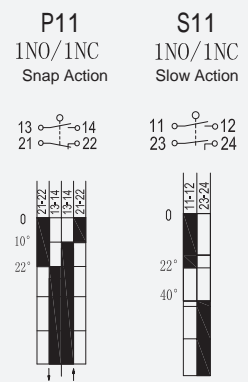
Plunger Style:



Rotary Style:



Spring Coil Style:




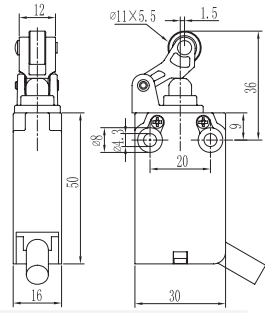

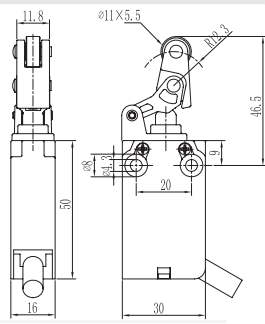

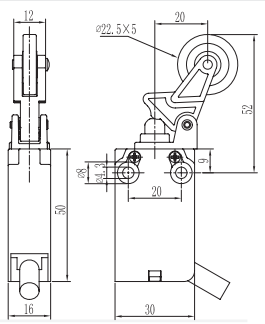

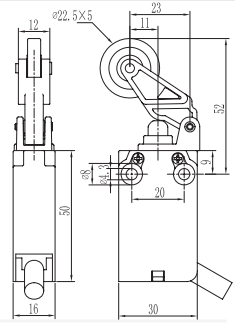

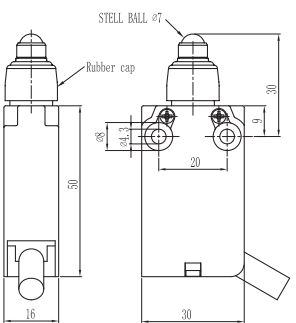
Compact Safety Limit Switches (Modular Design, IP67, 20mm) SM31 SERIES (20mm)

<p>Order Code Contact block</p> <p>SM31P11-01 SP snap action 1NO+1NC</p> <p>SM31S11-01 SL slow action 1NO+1NC BBM</p>	<p>Order Code Contact block</p> <p>SM31P11-12 SP snap action 1NO+1NC</p> <p>SM31S11-12 SL slow action 1NO+1NC BBM</p>
<p>Order Code Contact block</p> <p>SM31P11-11 SP snap action 1NO+1NC</p> <p>SM31S11-11 SL slow action 1NO+1NC BBM</p>	<p>Order Code Contact block</p> <p>SM31P11-22 SP snap action 1NO+1NC</p> <p>SM31S11-22 SL slow action 1NO+1NC BBM</p>
<p>Order Code Contact block</p> <p>SM31P11-21 SP snap action 1NO+1NC</p> <p>SM31S11-21 SL slow action 1NO+1NC BBM</p>	<p>Order Code Contact block</p> <p>SM31P11-02 SP snap action 1NO+1NC</p> <p>SM31S11-02 SL slow action 1NO+1NC BBM</p>
<p>Order Code Contact block</p> <p>SM31P11-31 SP snap action 1NO+1NC</p> <p>SM31S11-31 SL slow action 1NO+1NC BBM</p>	<p>Order Code Contact block</p> <p>SM31P11-03 SP snap action 1NO+1NC</p> <p>SM31S11-03 SL slow action 1NO+1NC BBM</p>

Compact Safety Limit Switches (Modular Design, IP67, 20mm) SM31 SERIES (20mm)

	<p>Order Code</p> <p>SM31P11-32 SP snap action 1NO+1NC</p> <p>SM31S11-32 SL slow action 1NO+1NC BBM</p>		<p>Order Code</p> <p>SM31P11-42 SP snap action 1NO+1NC</p> <p>SM31S11-42 SL slow action 1NO+1NC BBM</p>
	<p>Order Code</p> <p>SM31P11-04 SP snap action 1NO+1NC</p> <p>SM31S11-04 SL slow action 1NO+1NC BBM</p>		<p>Order Code</p> <p>SM31P11-04S SP snap action 1NO+1NC</p> <p>SM31S11-04S SL slow action 1NO+1NC BBM</p>
	<p>Order Code</p> <p>SM31P11-07 SP snap action 1NO+1NC</p> <p>SM31S11-07 SL slow action 1NO+1NC BBM</p>		<p>Order Code</p> <p>SM31P11-08 SP snap action 1NO+1NC</p> <p>SM31S11-08 SL slow action 1NO+1NC BBM</p>
	<p>Order Code</p> <p>SM31P11-69 SP snap action 1NO+1NC</p> <p>SM31S11-69 SL slow action 1NO+1NC BBM</p>		<p>Order Code</p> <p>SM31P11-66 SP snap action 1NO+1NC</p> <p>SM31S11-66 SL slow action 1NO+1NC BBM</p>

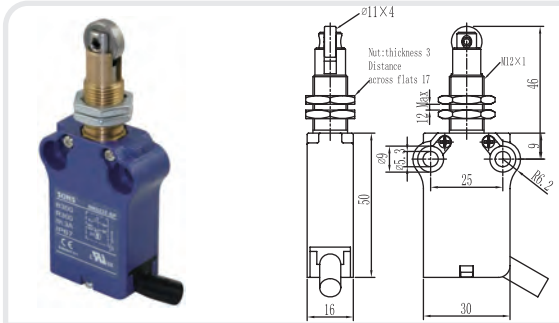
Compact Safety Limit Switches (Modular Design, IP67, 20mm) SM31 SERIES (20mm)

		Order Code	Contact block		
		SM31P11-62	SP	→ snap action	1NO+1NC
		SM31S11-62	SL	→ slow action	1NO+1NC BBM
		Order Code	Contact block		
		SM31P11-63	SP	→ snap action	1NO+1NC
		SM31S11-63	SL	→ slow action	1NO+1NC BBM
		Order Code	Contact block		
		SM31P11-72	SP	→ snap action	1NO+1NC
		SM31S11-72	SL	→ slow action	1NO+1NC BBM
		Order Code	Contact block		
		SM31P11-73	SP	→ snap action	1NO+1NC
		SM31S11-73	SL	→ slow action	1NO+1NC BBM
		Order Code	Contact block		
		SM31P11-11 G	SP	→ snap action	1NO+1NC
		SM31S11-11 G	SL	→ slow action	1NO+1NC BBM

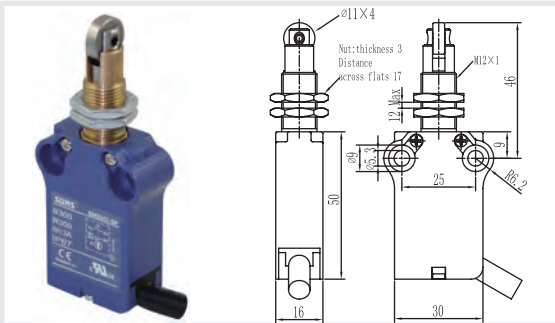
Compact Safety Limit Switches (Modular Design, IP67, 25mm) SM32 SERIES (25mm)

<p>Order Code Contact block</p> <p>SM32P11-01 SP snap action 1NO+1NC</p> <p>SM32S11-01 SL slow action 1NO+1NC BBM</p>	<p>Order Code Contact block</p> <p>SM32P11-12 SP snap action 1NO+1NC</p> <p>SM32S11-12 SL slow action 1NO+1NC BBM</p>
<p>Order Code Contact block</p> <p>SM32P11-11 SP snap action 1NO+1NC</p> <p>SM32S11-11 SL slow action 1NO+1NC BBM</p>	<p>Order Code Contact block</p> <p>SM32P11-22 SP snap action 1NO+1NC</p> <p>SM32S11-22 SL slow action 1NO+1NC BBM</p>
<p>Order Code Contact block</p> <p>SM32P11-21 SP snap action 1NO+1NC</p> <p>SM32S11-21 SL slow action 1NO+1NC BBM</p>	<p>Order Code Contact block</p> <p>SM32P11-02 SP snap action 1NO+1NC</p> <p>SM32S11-02 SL slow action 1NO+1NC BBM</p>
<p>Order Code Contact block</p> <p>SM32P11-31 SP snap action 1NO+1NC</p> <p>SM32S11-31 SL slow action 1NO+1NC BBM</p>	<p>Order Code Contact block</p> <p>SM32P11-03 SP snap action 1NO+1NC</p> <p>SM32S11-03 SL slow action 1NO+1NC BBM</p>

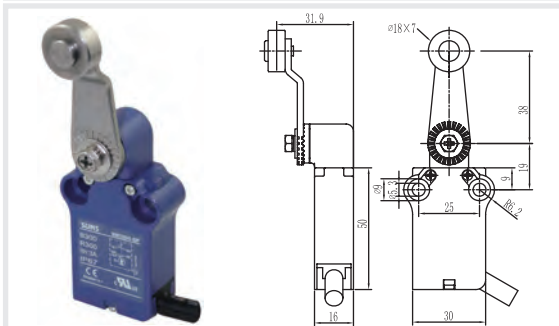
Compact Safety Limit Switches (Modular Design, IP67, 25mm) SM32 SERIES (25mm)



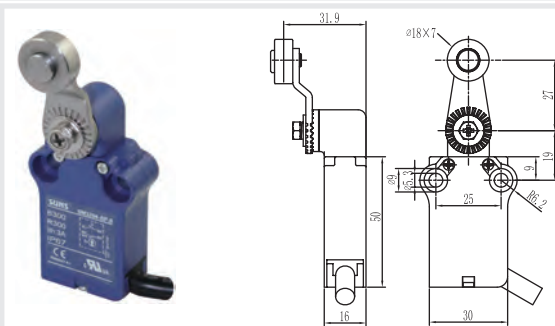
Order Code	Contact block		
SM32P11-32	SP	↻ snap action	1NO+1NC
SM32S11-32	SL	↻ slow action	1NO+1NC BBM



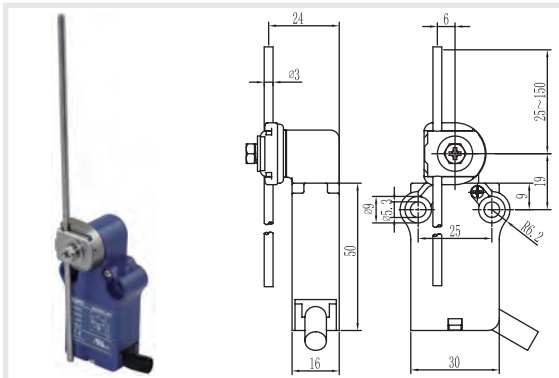
Order Code	Contact block		
SM32P11-42	SP	↻ snap action	1NO+1NC
SM32S11-42	SL	↻ slow action	1NO+1NC BBM



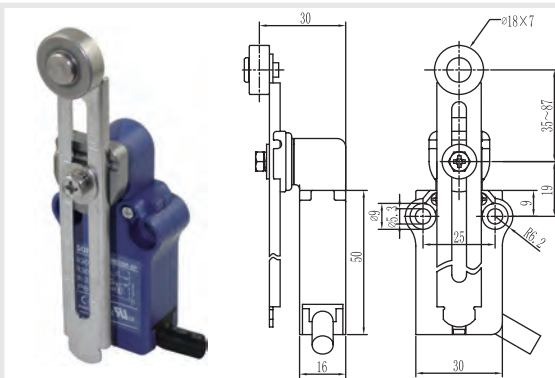
Order Code	Contact block		
SM32P11-04	SP	↻ snap action	1NO+1NC
SM32S11-04	SL	↻ slow action	1NO+1NC BBM



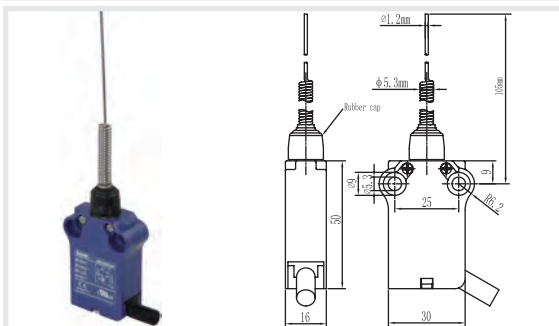
Order Code	Contact block		
SM32P11-04S	SP	↻ snap action	1NO+1NC
SM32S11-04S	SL	↻ slow action	1NO+1NC BBM



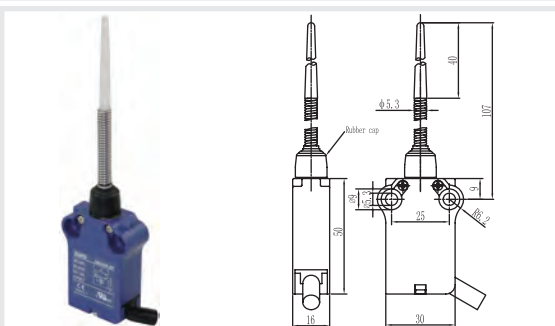
Order Code	Contact block		
SM32P11-07	SP	↻ snap action	1NO+1NC
SM32S11-07	SL	↻ slow action	1NO+1NC BBM



Order Code	Contact block		
SM32P11-08	SP	↻ snap action	1NO+1NC
SM32S11-08	SL	↻ slow action	1NO+1NC BBM



Order Code			
SM32P11-69	SP	↻ snap action	1NO+1NC
SM32S11-69	SL	↻ slow action	1NO+1NC BBM



Order Code			
SM32P11-66	SP	↻ snap action	1NO+1NC
SM32S11-66	SL	↻ slow action	1NO+1NC BBM

Compact Safety Limit Switches (Modular Design, IP67, 25mm) SM32 SERIES (25mm)

<p>Order Code Contact block</p> <p>SM32P11-62 SP ↻ snap action 1NO+1NC</p> <p>SM32S11-62 SL ↻ slow action 1NO+1NC BBM</p>	<p>Order Code Contact block</p> <p>SM32P11-63 SP ↻ snap action 1NO+1NC</p> <p>SM32S11-63 SL ↻ slow action 1NO+1NC BBM</p>
<p>Order Code Contact block</p> <p>SM32P11-72 SP ↻ snap action 1NO+1NC</p> <p>SM32S11-72 SL ↻ slow action 1NO+1NC BBM</p>	<p>Order Code Contact block</p> <p>SM32P11-73 SP ↻ snap action 1NO+1NC</p> <p>SM32S11-73 SL ↻ slow action 1NO+1NC BBM</p>
<p>Order Code Contact block</p> <p>SM32P11-11 G SP ↻ snap action 1NO+1NC</p> <p>SM32S11-11 G SL ↻ slow action 1NO+1NC BBM</p>	