

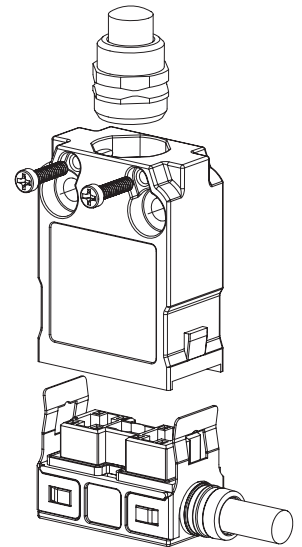
Compact Safety Limit Switches (Modular Design, Plastic Body, IP67) SM31N SERIES (20mm) and SM32N SERIES (25mm)

Selection Guide:

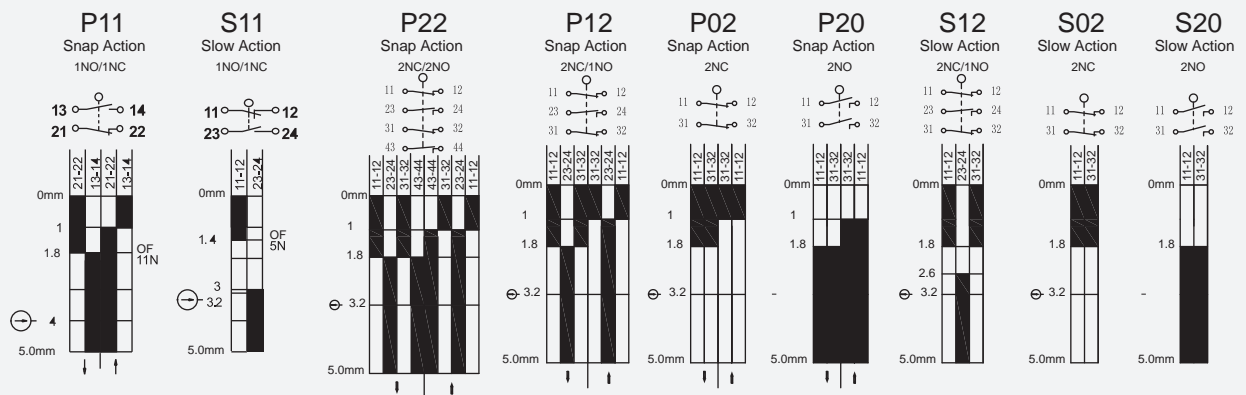
SM3	1	-	N	-	P	-	11	-	12	-	H	-	A	-	2
Housing															
20mm mounting	1				P Snap Action		11 1NO/1NC		Head Style		Blank		A side exit cable		2 2 meters cable
25mm mounting	2				S Slow Action		12 1NO/2NC				H Horizontal head		B bottom exit cable		
							20 2NO								
							21 2NO/1NC								
							22 2NO/2NC								
							02 2NC								

Specification

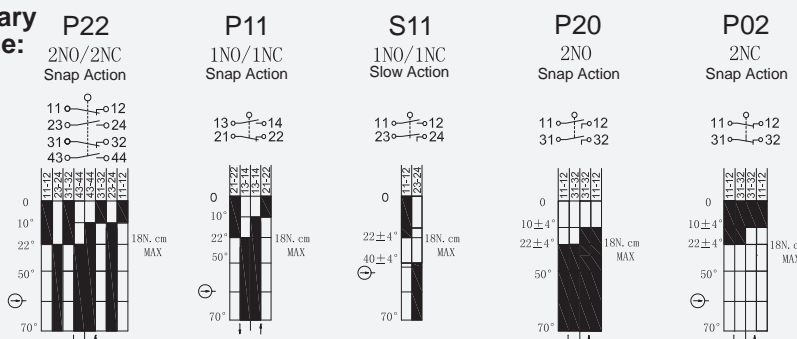
Operating Speed	0.05mm-2m/sec
Operating Frequency	Mechanical: 120ops/min Electrical: 30 ops/min
Insulation Resistance	>100MΩ@500V DC
Contact Resistance	<25mΩ (initial value)
Rated Voltage	300V AC (EN60947-5-1)
Rated Thermal Current	5A
Electrical Rating	AC15 B300 DC13 R300
Dielectric Strength	1000VAC for 1 min between current carrying parts 2500VAC for 1 min between non-current carrying parts
Service Life	Mechanically 1 x 10 ⁷ (operations) Electrically 2 x 10 ⁶ (operations)
Operating Temperature	-25~+85°C without formation of ice
Humidity	< 95%
Cable	4 core, 0.5mm ² ; 6 core, 0.5mm ² ; 8 core, 0.34mm ²
Degree of Protection	IP67



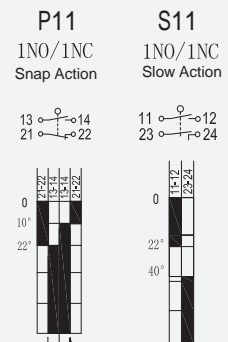
Plunger Style:



Rotary Style:



Spring Coil Style:



Compact Safety Limit Switches (Fiber Reinforced Plastic, IP67, 20mm) SM31N SERIES (20mm)

<p>Order Code Contact block</p> <p>SM31NP11-01 SP \ominus snap action 1NO+1NC</p> <p>SM31NS11-01 SL \ominus slow action 1NO+1NC BBM</p>	<p>Order Code Contact block</p> <p>SM31NP11-12 SP \ominus snap action 1NO+1NC</p> <p>SM31NS11-12 SL \ominus slow action 1NO+1NC BBM</p>
<p>Order Code Contact block</p> <p>SM31NP11-11 SP \ominus snap action 1NO+1NC</p> <p>SM31NS11-11 SL \ominus slow action 1NO+1NC BBM</p>	<p>Order Code Contact block</p> <p>SM31NP11-22 SP \ominus snap action 1NO+1NC</p> <p>SM31NS11-22 SL \ominus slow action 1NO+1NC BBM</p>
<p>Order Code Contact block</p> <p>SM31NP11-21 SP \ominus snap action 1NO+1NC</p> <p>SM31NS11-21 SL \ominus slow action 1NO+1NC BBM</p>	<p>Order Code Contact block</p> <p>SM31NP11-02 SP \ominus snap action 1NO+1NC</p> <p>SM31NS11-02 SL \ominus slow action 1NO+1NC BBM</p>
<p>Order Code Contact block</p> <p>SM31NP11-31 SP \ominus snap action 1NO+1NC</p> <p>SM31NS11-31 SL \ominus slow action 1NO+1NC BBM</p>	<p>Order Code Contact block</p> <p>SM31NP11-03 SP \ominus snap action 1NO+1NC</p> <p>SM31NS11-03 SL \ominus slow action 1NO+1NC BBM</p>


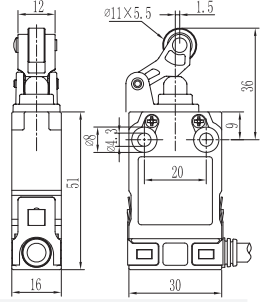

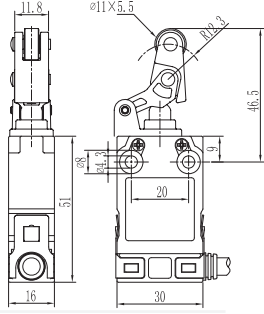

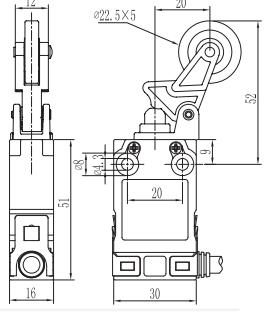

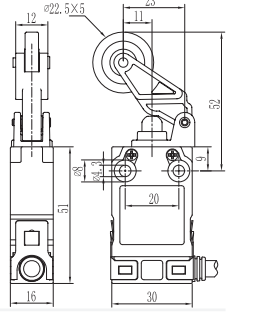

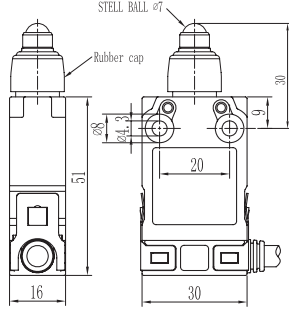
* suffix: -A for side exit, -B for Bottom exit and one-digit number for length of the wire (meter). Eg :-A2

Compact Safety Limit Switches (Fiber Reinforced Plastic, IP67, 20mm) SM31N SERIES (20mm)

	<p>Order Code</p> <p>Contact block</p> <p>SM31NP11-32 SP snap action 1NO+1NC</p> <p>SM31NS11-32 SL slow action 1NO+1NC BBM</p>		<p>Order Code</p> <p>Contact block</p> <p>SM31NP11-42 SP snap action 1NO+1NC</p> <p>SM31NS11-42 SL slow action 1NO+1NC BBM</p>
	<p>Order Code</p> <p>Contact block</p> <p>SM31NP11-04 SP snap action 1NO+1NC</p> <p>SM31NS11-04 SL slow action 1NO+1NC BBM</p>		<p>Order Code</p> <p>Contact block</p> <p>SM31NP11-04-S SP snap action 1NO+1NC</p> <p>SM31NS11-04-S SL slow action 1NO+1NC BBM</p>
	<p>Order Code</p> <p>Contact block</p> <p>SM31NP11-07 SP snap action 1NO+1NC</p> <p>SM31NS11-07 SL slow action 1NO+1NC BBM</p>		<p>Order Code</p> <p>Contact block</p> <p>SM31NP11-08 SP snap action 1NO+1NC</p> <p>SM31NS11-08 SL slow action 1NO+1NC BBM</p>
	<p>Order Code</p> <p>SM31NP11-69 SP snap action 1NO+1NC</p> <p>SM31NS11-69 SL slow action 1NO+1NC BBM</p>		<p>Order Code</p> <p>SM31NP11-66 SP snap action 1NO+1NC</p> <p>SM31NS11-66 SL slow action 1NO+1NC BBM</p>

* suffix: -A for side exit, -B for Bottom exit and one-digit number for length of the wire (meter). Eg :-A2

Compact Safety Limit Switches (Fiber Reinforced Plastic, IP67, 20mm) SM31N SERIES (20mm)

		Order Code	Contact block		
		SM31NP11-62	SP	↻ snap action	1NO+1NC
		SM31NS11-62	SL	↻ slow action	1NO+1NC BBM
		Order Code	Contact block		
		SM31NP11-63	SP	↻ snap action	1NO+1NC
		SM31NS11-63	SL	↻ slow action	1NO+1NC BBM
		Order Code	Contact block		
		SM31NP11-72	SP	↻ snap action	1NO+1NC
		SM31NS11-72	SL	↻ slow action	1NO+1NC BBM
		Order Code	Contact block		
		SM31NP11-73	SP	↻ snap action	1NO+1NC
		SM31NS11-73	SL	↻ slow action	1NO+1NC BBM
		Order Code	Contact block		
		SM31NP11-11 G	SP	↻ snap action	1NO+1NC
		SM31NS11-11 G	SL	↻ slow action	1NO+1NC BBM

* suffix:-A for side exit,-B for Bottom exit and one-digit number for length of the wire (meter).Eg :-A2

Compact Safety Limit Switches (Fiber Reinforced Plastic, IP67, 25mm) SM32N SERIES (25mm)

<p>Order Code Contact block</p> <p>SM32NP11-01 SP snap action 1NO+1NC</p> <p>SM32NS11-01 SL slow action 1NO+1NC BBM</p>	<p>Order Code Contact block</p> <p>SM32NP11-12 SP snap action 1NO+1NC</p> <p>SM32NS11-12 SL slow action 1NO+1NC BBM</p>
<p>Order Code Contact block</p> <p>SM32NP11-11 SP snap action 1NO+1NC</p> <p>SM32NS11-11 SL slow action 1NO+1NC BBM</p>	<p>Order Code Contact block</p> <p>SM32NP11-22 SP snap action 1NO+1NC</p> <p>SM32NS11-22 SL slow action 1NO+1NC BBM</p>
<p>Order Code Contact block</p> <p>SM32NP11-21 SP snap action 1NO+1NC</p> <p>SM32NS11-21 SL slow action 1NO+1NC BBM</p>	<p>Order Code Contact block</p> <p>SM32NP11-02 SP snap action 1NO+1NC</p> <p>SM32NS11-02 SL slow action 1NO+1NC BBM</p>
<p>Order Code Contact block</p> <p>SM32NP11-31 SP snap action 1NO+1NC</p> <p>SM32NS11-31 SL slow action 1NO+1NC BBM</p>	<p>Order Code Contact block</p> <p>SM32NP11-03 SP snap action 1NO+1NC</p> <p>SM32NS11-03 SL slow action 1NO+1NC BBM</p>

* suffix: -A for side exit, -B for Bottom exit and one-digit number for length of the wire (meter). Eg :-B2

Compact Safety Limit Switches (Fiber Reinforced Plastic, IP67, 25mm) SM32N SERIES (25mm)

<p>Order Code Contact block</p> <p>SM32NP11-32 SP snap action 1NO+1NC</p> <p>SM32NS11-32 SL slow action 1NO+1NC BBM</p>	<p>Order Code Contact block</p> <p>SM32NP11-42 SP snap action 1NO+1NC</p> <p>SM32NS11-42 SL slow action 1NO+1NC BBM</p>
<p>Order Code Contact block</p> <p>SM32NP11-04 SP snap action 1NO+1NC</p> <p>SM32NS11-04 SL slow action 1NO+1NC BBM</p>	<p>Order Code Contact block</p> <p>SM32NP11-04S SP snap action 1NO+1NC</p> <p>SM32NS11-04S SL slow action 1NO+1NC BBM</p>
<p>Order Code Contact block</p> <p>SM32NP11-07 SP snap action 1NO+1NC</p> <p>SM32NS11-07 SL slow action 1NO+1NC BBM</p>	<p>Order Code Contact block</p> <p>SM32NP11-08 SP snap action 1NO+1NC</p> <p>SM32NS11-08 SL slow action 1NO+1NC BBM</p>
<p>Order Code</p> <p>SM32NP11-69 SP snap action 1NO+1NC</p> <p>SM32NS11-69 SL slow action 1NO+1NC BBM</p>	<p>Order Code</p> <p>SM32NP11-66 SP snap action 1NO+1NC</p> <p>SM32NS11-66 SL slow action 1NO+1NC BBM</p>

* suffix:-A for side exit,-B for Bottom exit and one-digit number for length of the wire (meter). Eg :-B2

Compact Safety Limit Switches (Fiber Reinforced Plastic, IP67, 25mm) SM32N SERIES (25mm)

<p>Order Code</p> <p>SM32NP11-62 SP</p> <p>SM32NS11-62 SL</p>	<p>Order Code</p> <p>SM32NP11-63 SP</p> <p>SM32NS11-63 SL</p>
<p>Order Code</p> <p>SM32NP11-72 SP</p> <p>SM32NS11-72 SL</p>	<p>Order Code</p> <p>SM32NP11-73 SP</p> <p>SM32NS11-73 SL</p>
<p>Order Code</p> <p>SM32NP11-11 G SP</p> <p>SM32NS11-11 G SL</p>	

* suffix:-A for side exit,-B for Bottom exit and one-digit number for length of the wire (meter).Eg :-B2