

COMPACT LIMIT SWITCHES SMN5 SERIES

Features

- Designed for applications with small mounting space
- Highly rigid construction (head and cover snugly fit in box)
- Wide range of actuators available

Definitions of Operating Characteristics

OF	Operating Force	PT	Pretravel
RF	Releasing Force	MD	Movement Differential
OT	Overtravel	OP	Operating Position
TT	Total Travel		

Specifications

Operating Speed	0.05mm-2m/sec
Operating Frequency	Mechanical: 120ops/min Electrical: 30 ops/min
Insulation Resistance	>100MΩ@500V DC
Contact Resistance	<25mΩ (initial value)
Rated Current/Voltage	10A/250V AC (EN60947-5-1) AC15 A600 / DC13 Q300
Dielectric Strength	1000VAC for 1 min between current carrying parts 2500VAC for 1 min between non-current carrying parts
Service Life	Mechanically 1.0 x10 ⁷ (operations) Electrically 5 x10 ⁵ (operations)
Operating Temperature	-20~+80°C (-14~176°F)
Humidity	< 95%RH
Weight	240-290g
Degree of Protection	IP66

Selection Guide:

SMN51

Body
Styles

04

Head Styles

SP

- SP: 1NO/1NC Snap action
- SL: BBM 1NO/1NC Slow Action changeover
- SL1: MBB 1NO/1NC Slow Action Overlapping
- SL2: 2NC Slow Action
- SL3: 2NO Slow Action

D

Conduits

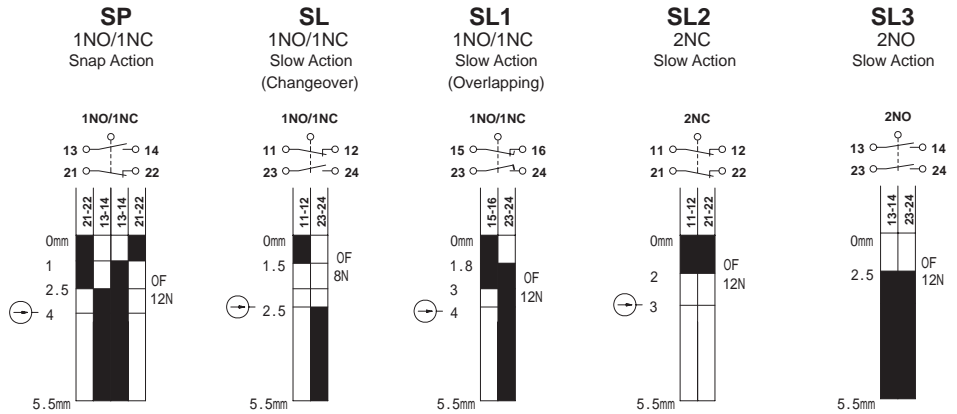
D: M16 x 1.5

COMPACT LIMIT SWITCHES SMN5 SERIES

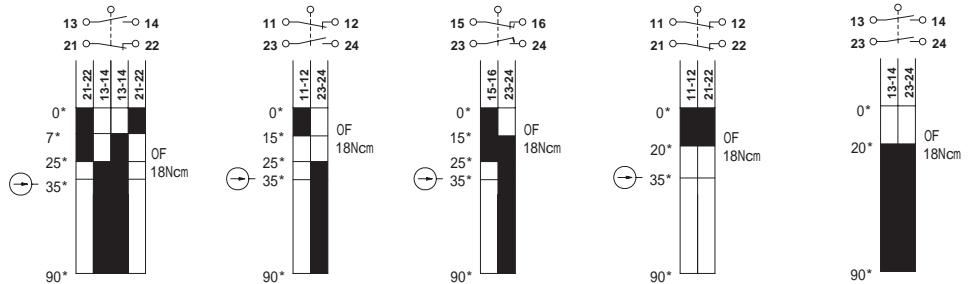
Available contact blocks and travel diagrams



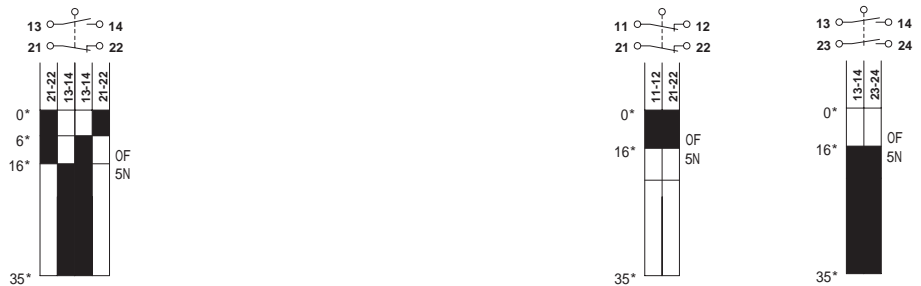
Plunger type
11,12 styles



Side rotary type
04, 07, 08 Styles

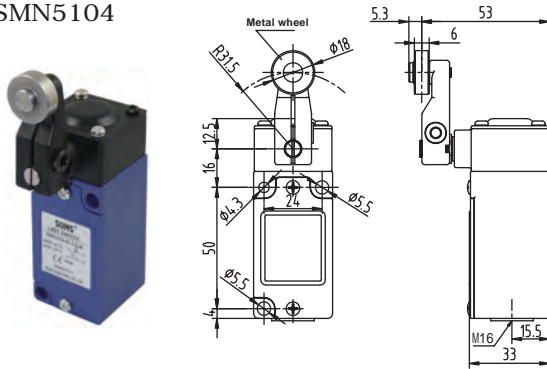


00, 66,69 styles



COMPACT LIMIT SWITCHES SMN5 SERIES

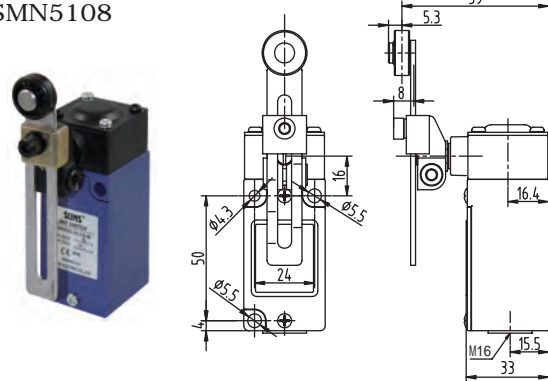
SMN5104



Order Code

SMN5104-SP- _	SP	snap action	1NO+1NC
SMN5104-SL- _	SL	slow action	1NO+1NC BBM
SMN5104-SL1- _	SL1	slow action	1NO+1NC MBB
SMN5104-SL2- _	SL2	slow action	2NC
SMN5104-SL3- _	SL3	slow action	2NO

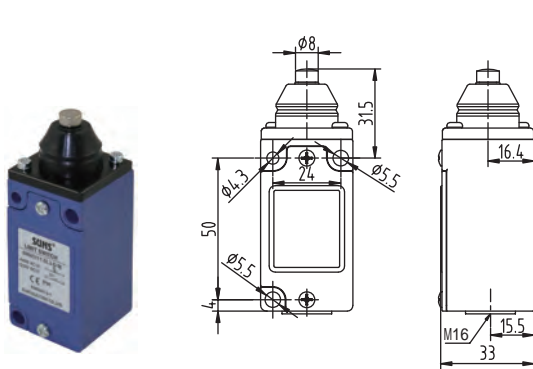
SMN5108



Order Code

SMN5108-SP- _	SP	snap action	1NO+1NC
SMN5108-SL- _	SL	slow action	1NO+1NC BBM
SMN5108-SL1- _	SL1	slow action	1NO+1NC MBB
SMN5108-SL2- _	SL2	slow action	2NC
SMN5108-SL3- _	SL3	slow action	2NO

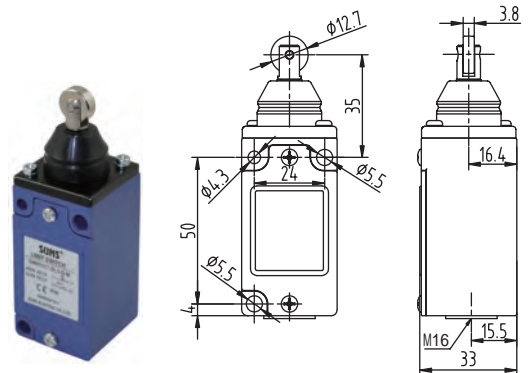
SMN5111



Order Code

SMN5111-SP- _	SP	snap action	1NO+1NC
SMN5111-SL- _	SL	slow action	1NO+1NC BBM
SMN5111-SL1- _	SL1	slow action	1NO+1NC MBB
SMN5111-SL2- _	SL2	slow action	2NC
SMN5111-SL3- _	SL3	slow action	2NO

SMN5112

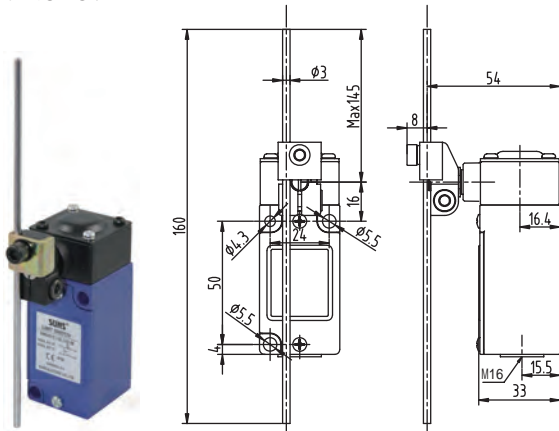


Order Code

SMN5112-SP- _	SP	snap action	1NO+1NC
SMN5112-SL- _	SL	slow action	1NO+1NC BBM
SMN5112-SL1- _	SL1	slow action	1NO+1NC MBB
SMN5112-SL2- _	SL2	slow action	2NC
SMN5112-SL3- _	SL3	slow action	2NO

COMPACT LIMIT SWITCHES SMN5 SERIES

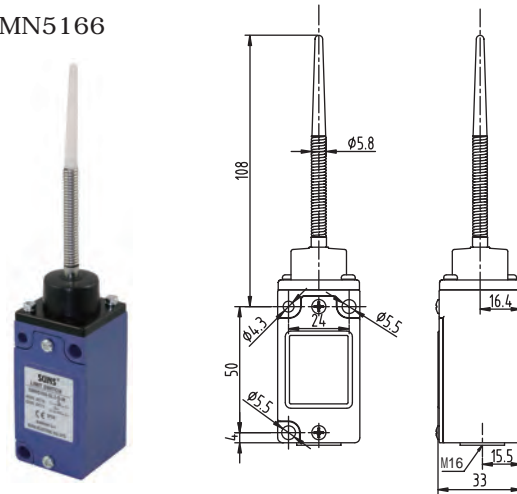
SMN5107



Order Code

SMN5107-SP- _	SP	snap action	1NO+1NC
SMN5107-SL- _	SL	slow action	1NO+1NC BBM
SMN5107-SL1- _	SL1	slow action	1NO+1NC MBB
SMN5107-SL2- _	SL2	slow action	2NC
SMN5107-SL3- _	SL3	slow action	2NO

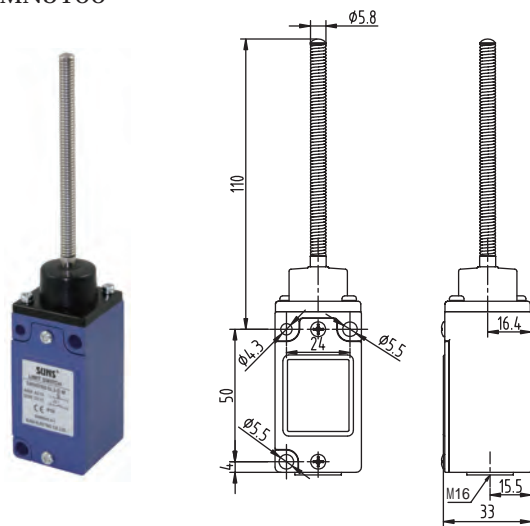
SMN5166



Order Code

SMN5166-SP- _	SP	snap action	1NO+1NC
SMN5166-SL2- _	SL2	slow action	2NC
SMN5166-SL3- _	SL3	slow action	2NO

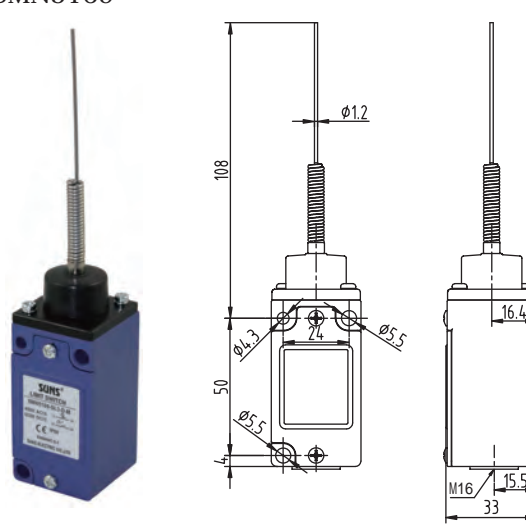
SMN5100



Order Code

SMN5100-SP- _	SP	snap action	1NO+1NC
SMN5100-SL2- _	SL2	slow action	2NC
SMN5100-SL3- _	SL3	slow action	2NO

SMN5169



Order Code

SMN5169-SP- _	SP	snap action	1NO+1NC
SMN5169-SL2- _	SL2	slow action	2NC
SMN5169-SL3- _	SL3	slow action	2NO