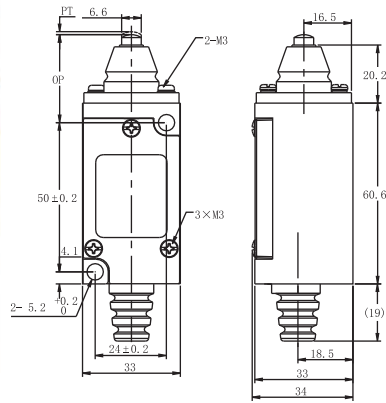


COMPACT LIMIT SWITCHES SN5 SERIES



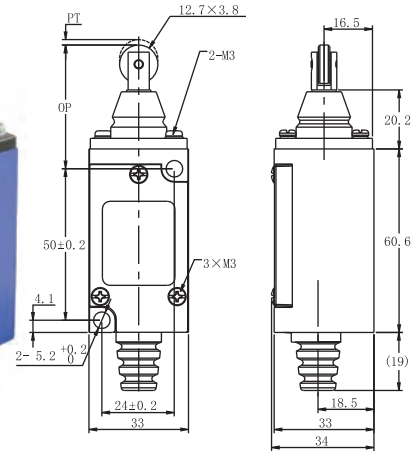
SN5111

Snap Action

 13 14
 21 22

Operating Characteristics

OF_{max} 9N
 RF_{min} 1.5N
 PT_{max} 1.5mm
 OT_{min} 4mm
 MD_{max} 1.2mm
 TT 5.5mm



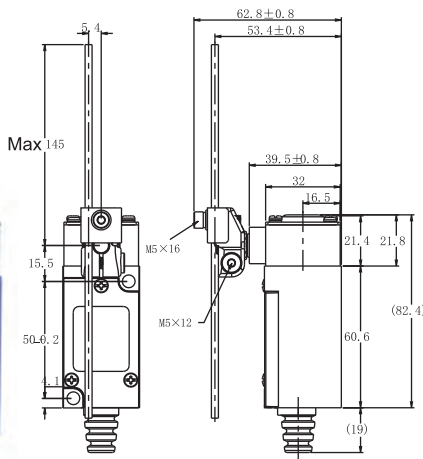
SN5112

Snap Action

 13 14
 21 22

Operating Characteristics

OF_{max} 9N
 RF_{min} 1.5N
 PT_{max} 1.5mm
 OT_{min} 4mm
 MD_{max} 1.2mm
 TT 5.5mm



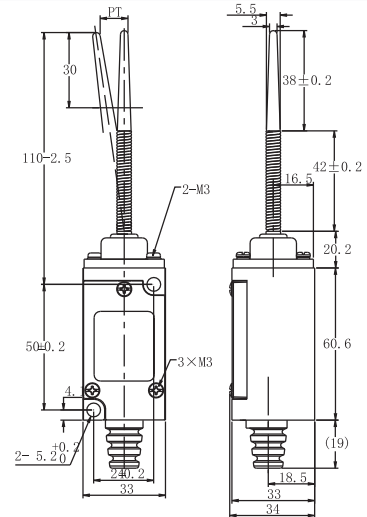
SN5107

Snap Action

 13 14
 21 22

Operating Characteristics

OF_{max} 18Ncm
 RF_{min} 3Ncm
 PT_{max} 20°
 OT_{min} 75°
 MD 12°
 TT 95°



SN5166

Snap Action

 13 14
 21 22

Operating Characteristics

OF_{max} 2N
 PT_{max} 20°
 OT_{min} 2°