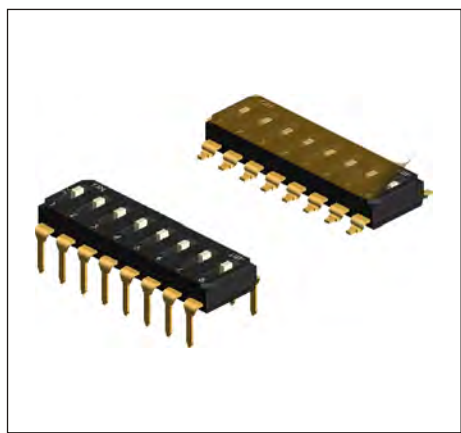
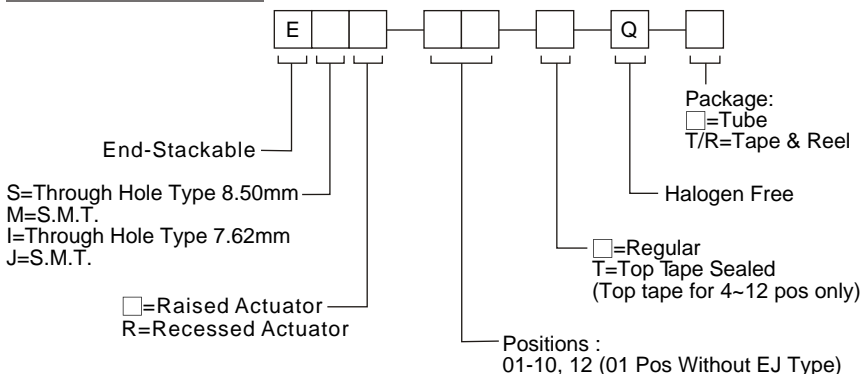


# EM(R), EI(R) & ES(R), EJ(R) SERIES

## End Stackable / SMT & Through Hole Type



### HOW TO ORDER



### SPECIFICATION

#### MECHANICAL

Operation Force: 1,000gf max.  
Stroke: 1.0 mm

#### ENVIRONMENTAL

Operation Temp: -20°C to +85°C  
Storage Temperature: -40°C to +85°C

#### ELECTRICAL

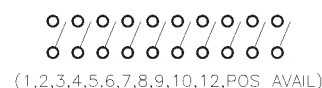
Electrical Life: 2,000 cycles.  
Switching Rating: 25mA, 24VDC.

#### PACKAGE

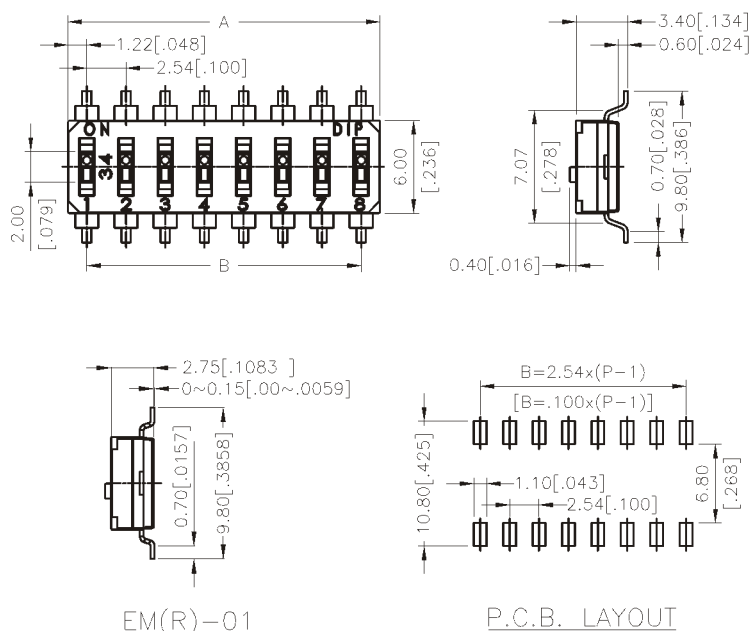
EM(R)/EI(R)/ES(R)-01: 194 pcs/tube  
 EM(R)/EI(R)/ES(R)-02: 95 pcs/tube  
 EM(R)/EI(R)/ES(R)-03: 63 pcs/tube  
 EM(R)/EI(R)/ES(R)/EJ(R)-04: 47 pcs/tube  
 EM(R)/EI(R)/ES(R)-05: 38 pcs/tube  
 EM(R)/EI(R)/ES(R)-06: 31 pcs/tube  
 EM(R)/EI(R)/ES(R)-07: 27 pcs/tube  
 EM(R)/EI(R)/ES(R)/EJ(R)-08: 23 pcs/tube  
 EM(R)/EI(R)/ES(R)-09: 21 pcs/tube  
 EM(R)/EI(R)/ES(R)/EJ(R)-10: 19 pcs/tube  
 EM(R)/EI(R)/ES(R)-12: 15 pcs/tube  
**Tape & Reel:**  
 EM(R)-01~10, 12: 900 pcs/reel  
 EJ(R)-02~10, 12: 900 pcs/reel

### CIRCUIT

SCHEMATIC(TYP.)



### EM(R)



EM-12 EMR-12	12	30.38[1.196]	27.94[1.100]
EM-10 EMR-10	10	25.30[.996]	22.86[.900]
EM-09 EMR-09	9	22.76[.896]	20.32[.800]
EM-08 EMR-08	8	20.22[.796]	17.78[.700]
EM-07 EMR-07	7	17.68[.696]	15.24[.600]
EM-06 EMR-06	6	15.14[.596]	12.70[.500]
EM-05 EMR-05	5	12.60[.496]	10.16[.400]
EM-04 EMR-04	4	10.06[.396]	7.62[.300]
EM-03 EMR-03	3	7.52[.296]	5.08[.200]
EM-02 EMR-02	2	4.98[.196]	2.54[.100]
EM-01 EMR-01	1	2.44[.096]	---
PROD. NO.	NO. OF POS.	DIM. A	DIM. B

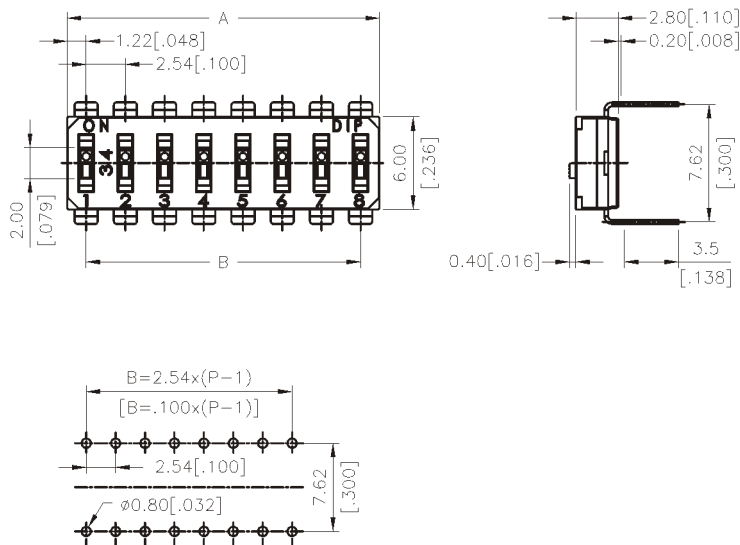
# EM(R), EI(R) & ES(R), EJ(R) SERIES

## End Stackable / SMT & Through Hole Type



DIP SWITCH

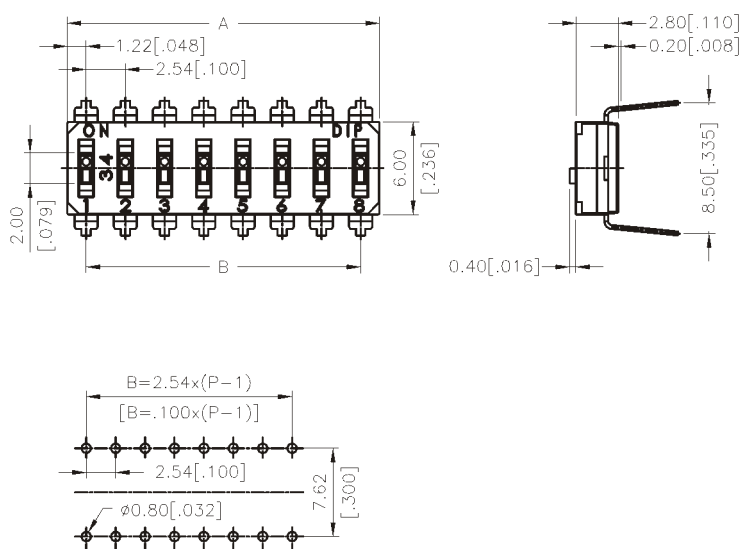
### EI(R)



P.C.B. LAYOUT

EI-12 EIR-12	12	30.38[1.196]	27.94[1.100]
EI-10 EIR-10	10	25.30[.996]	22.86[.900]
EI-09 EIR-09	9	22.76[.896]	20.32[.800]
EI-08 EIR-08	8	20.22[.796]	17.78[.700]
EI-07 EIR-07	7	17.68[.696]	15.24[.600]
EI-06 EIR-06	6	15.14[.596]	12.70[.500]
EI-05 EIR-05	5	12.60[.496]	10.16[.400]
EI-04 EIR-04	4	10.06[.396]	7.62[.300]
EI-03 EIR-03	3	7.52[.296]	5.08[.200]
EI-02 EIR-02	2	4.98[.196]	2.54[.100]
EI-01 EIR-01	1	2.44[.096]	---
PROD. NO.	NO. OF POS.	DIM. A	DIM. B

### ES(R)



P.C.B. LAYOUT

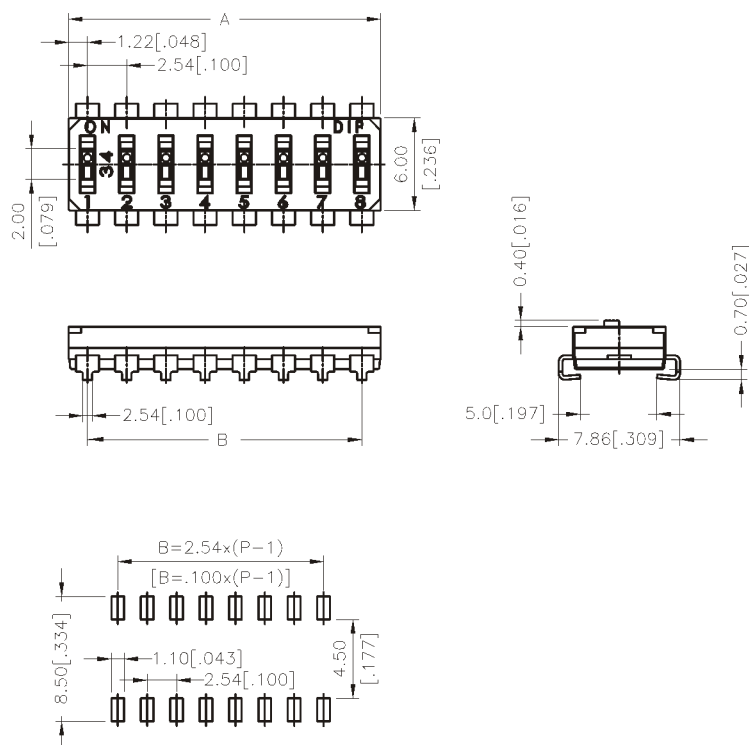
ES-12 ESR-12	12	30.38[1.196]	27.94[1.100]
ES-10 ESR-10	10	25.30[.996]	22.86[.900]
ES-09 ESR-09	9	22.76[.896]	20.32[.800]
ES-08 ESR-08	8	20.22[.796]	17.78[.700]
ES-07 ESR-07	7	17.68[.696]	15.24[.600]
ES-06 ESR-06	6	15.14[.596]	12.70[.500]
ES-05 ESR-05	5	12.60[.496]	10.16[.400]
ES-04 ESR-04	4	10.06[.396]	7.62[.300]
ES-03 ESR-03	3	7.52[.296]	5.08[.200]
ES-02 ESR-02	2	4.98[.196]	2.54[.100]
ES-01 ESR-01	1	2.44[.096]	---
PROD. NO.	NO. OF POS.	DIM. A	DIM. B

# EM(R), EI(R) & ES(R), EJ(R) SERIES

End Stackable /  
SMT & Through Hole Type



## EJ(R)



P.C.B. LAYOUT

EJ-12 EJR-12	12	30.38[1.196]	27.94[1.100]
EJ-10 EJR-10	10	25.30[.996]	22.86[.900]
EJ-09 EJR-09	9	22.76[.896]	20.32[.800]
EJ-08 EJR-08	8	20.22[.796]	17.78[.700]
EJ-07 EJR-07	7	17.68[.696]	15.24[.600]
EJ-06 EJR-06	6	15.14[.596]	12.70[.500]
EJ-05 EJR-05	5	12.60[.496]	10.16[.400]
EJ-04 EJR-04	4	10.06[.396]	7.62[.300]
EJ-03 EJR-03	3	7.52[.296]	5.08[.200]
EJ-02 EJR-02	2	4.98[.196]	2.54[.100]
PROD. NO.	NO. OF POS.	DIM. A	DIM. B

DIP SWITCH