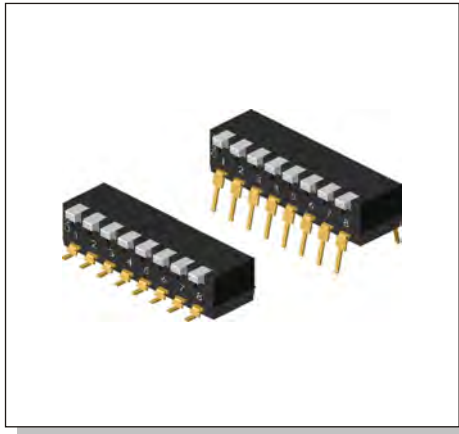


NPI & NPM SERIES

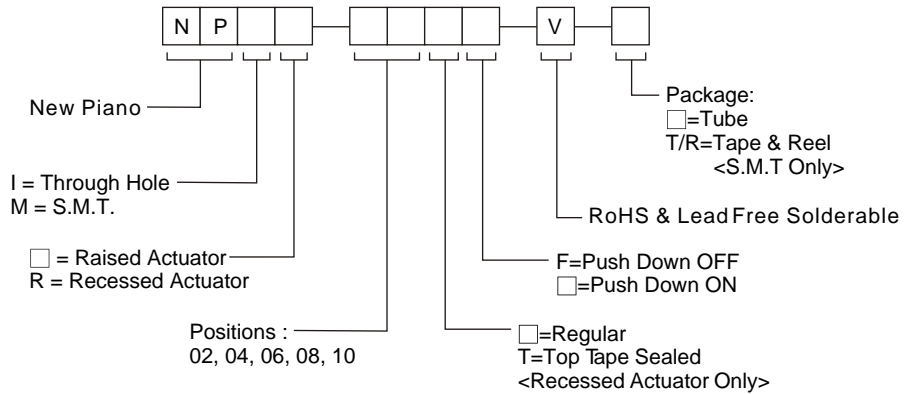
New Piano Type



DIP SWITCH



HOW TO ORDER



SPECIFICATION

MECHANICAL

Operation Force: 800gf max.

ENVIRONMENTAL

Operation Temperature Range: -20°C to +85°C.

Storage Temperature Range: -40°C to +85°C.

ELECTRICAL

Electrical Life: 2,000 cycles.

Non-Switching Rating: 100mA, 50VDC

Switching Rating: 25mA, 24VDC

PACKAGE

NPI(R)/NPM(R)-02: 70 pcs/tube

NPI(R)/NPM(R)-04: 40 pcs/tube

NPI(R)/NPM(R)-06: 28 pcs/tube

NPI(R)/NPM(R)-08: 20 pcs/tube

NPI(R)/NPM(R)-10: 16 pcs/tube

Tape & Reel:

NPM(R)-02, 04, 06, 08, 10: 700 pcs/reel

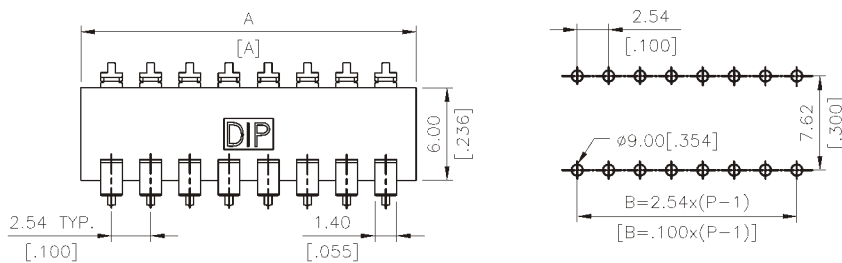
CIRCUIT

SCHEMATIC(TYP.)

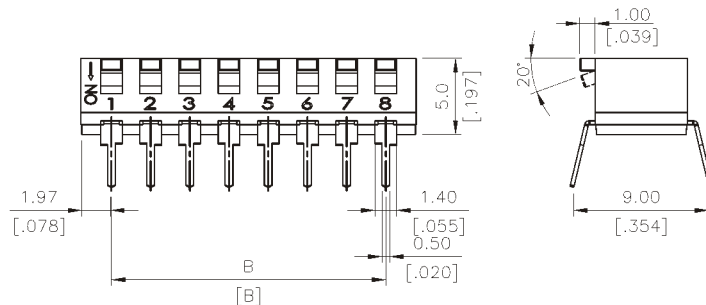


CIRCUIT DIAGRAM

NPI



P.C.B LAYOUT



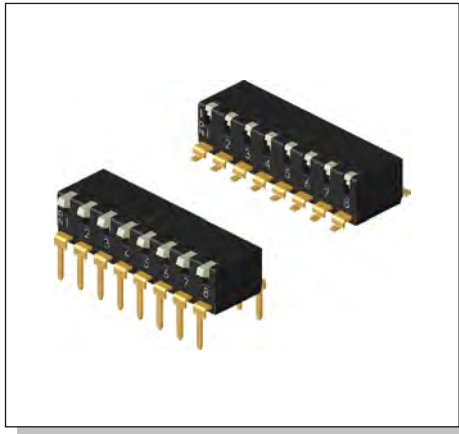
PROD. NO.	NO. OF POS.	DIM. A	DIM. B
NPI-10-V	10	26.80 [1.055]	22.86 [.900]
NPI-08-V	8	21.72 [.855]	17.78 [.700]
NPI-06-V	6	16.64 [.655]	12.70 [.500]
NPI-04-V	4	11.56 [.455]	7.62 [.300]
NPI-02-V	2	6.48 [.255]	2.54 [.100]

EPI & EPM SERIES

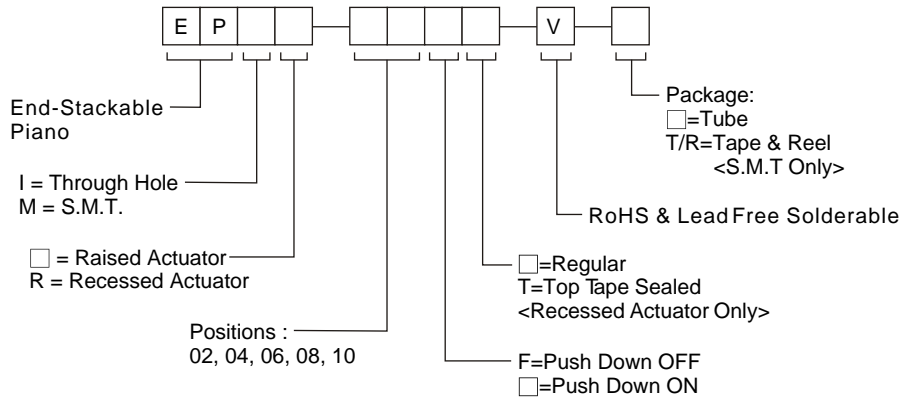
End Stackable Piano Type



DIP SWITCH



HOW TO ORDER



SPECIFICATION

MECHANICAL

Operation Force: 800gf max.

ENVIRONMENTAL

Operation Temperature Range: -20°C to +85°C.

Storage Temperature Range: -40°C to +85°C.

ELECTRICAL

Electrical Life: 2,000 cycles.

Switching Rating: 25mA, 24VDC

PACKAGE

EPI(R)/EPM(R)-02: 95 pcs/tube

EPI(R)/EPM(R)-04: 47 pcs/tube

EPI(R)/EPM(R)-06: 31 pcs/tube

EPI(R)/EPM(R)-08: 23 pcs/tube

EPI(R)/EPM(R)-10: 18 pcs/tube

Tape & Reel:

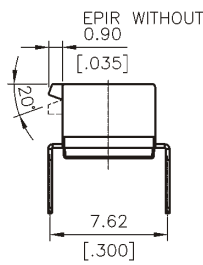
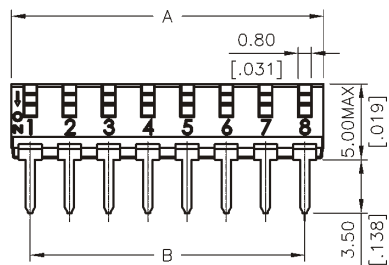
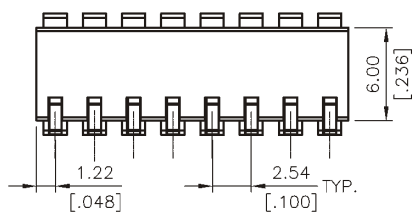
EPM(R)-02, 04, 06, 08, 10: 700 pcs/reel

CIRCUIT

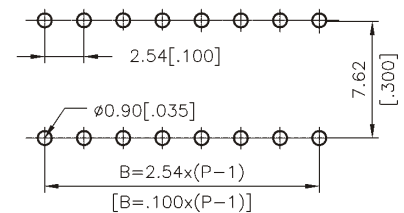
SCHEMATIC(TYP.)



EPI(R)



EPI-10 EPIR-10	10	25.30[.996]	22.86[.900]
EPI-08 EPIR-08	8	20.22[.796]	17.78[.700]
EPI-06 EPIR-06	6	15.14[.596]	12.70[.500]
EPI-04 EPIR-04	4	10.06[.396]	7.62[.300]
EPI-02 EPIR-02	2	4.89[.196]	2.54[.100]
PROD. NO.	NO. OF POS.	DIM. A	DIM. B



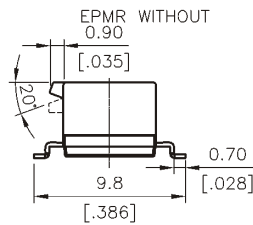
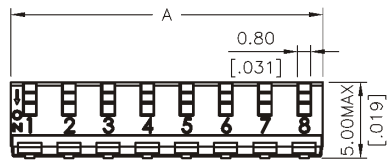
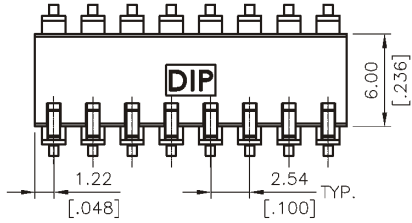
P.C.B. LAYOUT

EPI & EPM SERIES

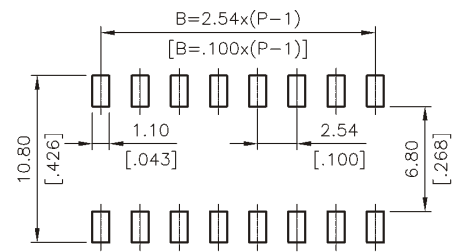
End Stackable Piano Type



EPM(R)



EPM-10 EPMR-10	10	25.30 [.996]	22.86 [.900]
EPM-08 EPMR-08	8	20.22 [.796]	17.78 [.700]
EPM-06 EPMR-06	6	15.14 [.596]	12.70 [.500]
EPM-04 EPMR-04	4	10.06 [.396]	7.62 [.300]
EPM-02 EPMR-02	2	4.89 [.196]	2.54 [.100]
PROD. NO.	NO. OF POS.	DIM. A	DIM. B



P.C.B. LAYOUT

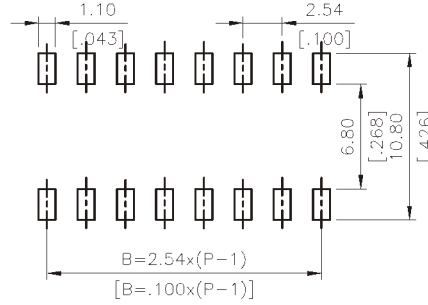
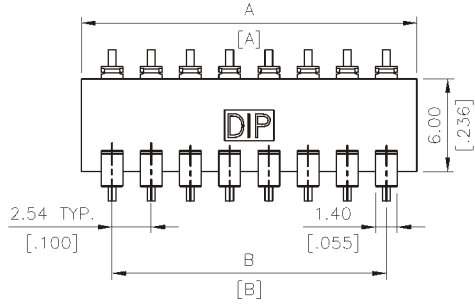
DIP SWITCH

NPI & NPM SERIES

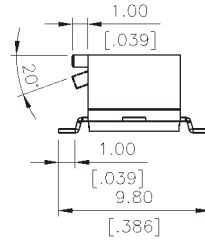
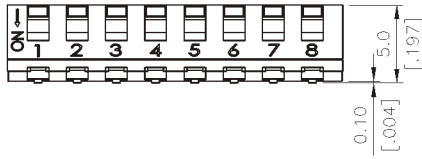
New Piano Type



NPM



P.C.B. LAYOUT



NPM-10-V	10	26.80 [1.055]	22.86 [.900]
NPM-08-V	8	21.72 [.855]	17.78 [.700]
NPM-06-V	6	16.64 [.655]	12.70 [.500]
NPM-04-V	4	11.56 [.455]	7.62 [.300]
NPM-02-V	2	6.48 [.255]	2.54 [.100]
PROD. NO.	NO. OF POS.	DIM. A	DIM. B

DIP SWITCH