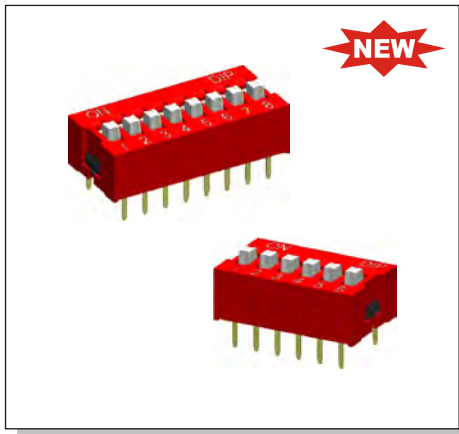
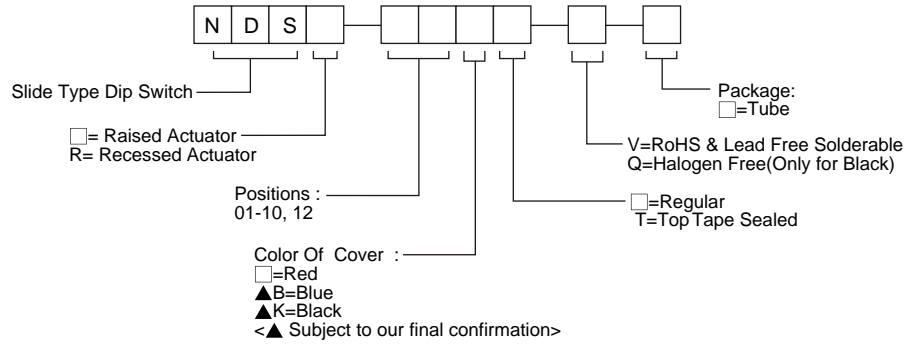


NDS(R) SERIES

SPST Standard Slide Type



HOW TO ORDER



SPECIFICATION

MECHANICAL

Operation Force: 1,000gf max.
Stroke: 2.0mm

ENVIRONMENTAL

Operation Temperature: -40°C to +85°C
Storage Temperature: -40°C to +85°C

ELECTRICAL

Electrical Life: 2,000 operations
Non-Switching Rating: 100mA , 50VDC
Switching Rating: 25mA , 24VDC

PACKAGE

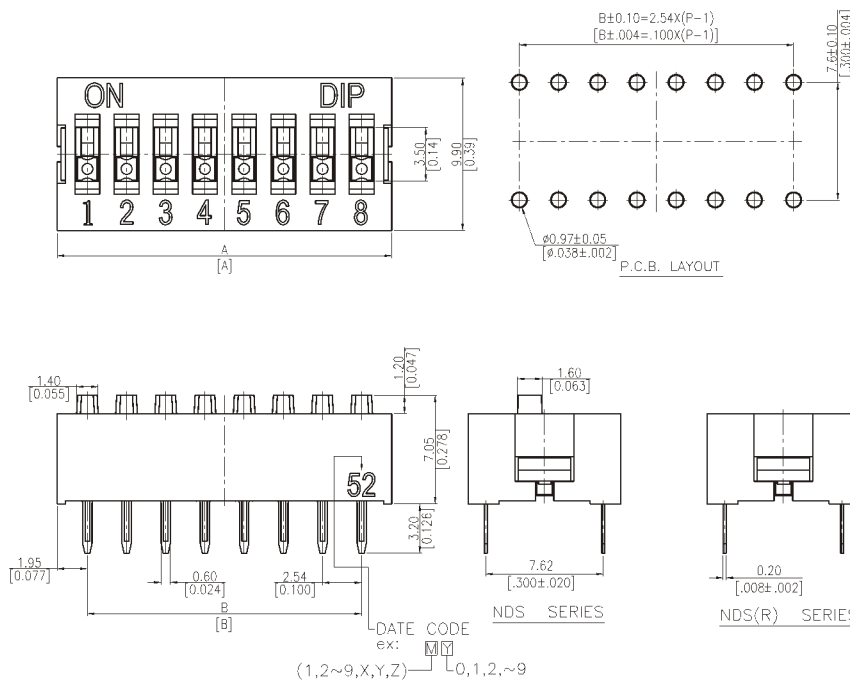
NDS(R)-01: 120 pcs/tube	NDS(R)-01-T: 113 pcs/tube
NDS(R)-02: 72 pcs/tube	NDS(R)-02-T: 70 pcs/tube
NDS(R)-03: 51 pcs/tube	NDS(R)-03-T: 50 pcs/tube
NDS(R)-04: 40 pcs/tube	NDS(R)-04-T: 39 pcs/tube
NDS(R)-05: 32 pcs/tube	NDS(R)-05-T: 32 pcs/tube
NDS(R)-06: 27 pcs/tube	NDS(R)-06-T: 27 pcs/tube
NDS(R)-07: 24 pcs/tube	NDS(R)-07-T: 24 pcs/tube
NDS(R)-08: 21 pcs/tube	NDS(R)-08-T: 21 pcs/tube
NDS(R)-09: 19 pcs/tube	NDS(R)-09-T: 19 pcs/tube
NDS(R)-10: 17 pcs/tube	NDS(R)-10-T: 17 pcs/tube
NDS(R)-12: 14 pcs/tube	NDS(R)-12-T: 14 pcs/tube

CIRCUIT

SCHEMATIC(TYP.)



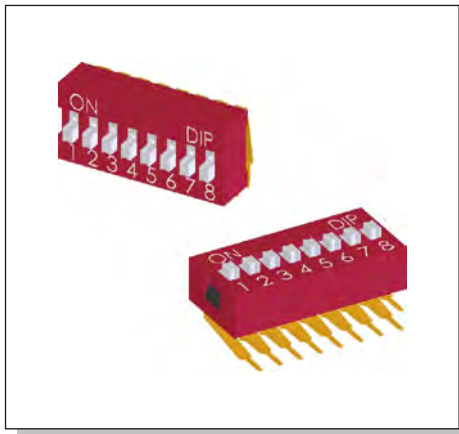
NDS(R)



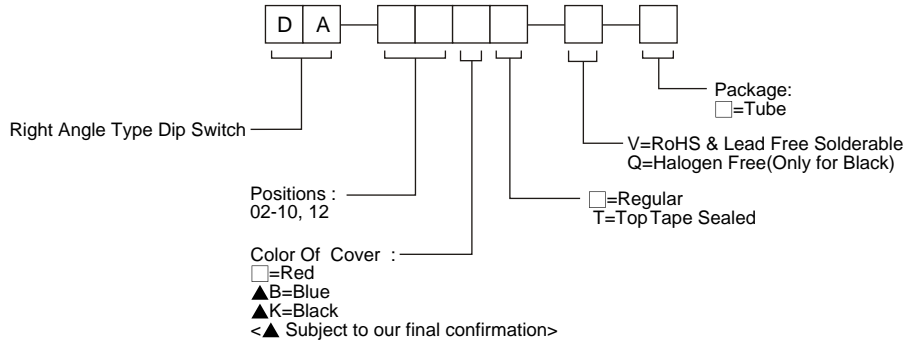
PROD. NO.	NO. OF POS.	DIM. A	DIM. B
NDS(R)-12-V	12	31.84[1.254]	27.94[1.100]
NDS(R)-10-V	10	26.76[1.054]	22.86[.900]
NDS(R)-09-V	9	24.22[.954]	20.32[.800]
NDS(R)-08-V	8	21.68[.854]	17.78[.700]
NDS(R)-07-V	7	19.14[.754]	15.24[.600]
NDS(R)-06-V	6	16.60[.654]	12.70[.500]
NDS(R)-05-V	5	14.06[.554]	10.16[.400]
NDS(R)-04-V	4	11.52[.454]	7.62[.300]
NDS(R)-03-V	3	8.98[.354]	5.08[.200]
NDS(R)-02-V	2	6.44[.254]	2.54[.100]

DA SERIES

SPST Standard Right Angle Type



HOW TO ORDER



SPECIFICATION

MECHANICAL

Operation Force: 1,000gf max.
Stroke: 2.0mm

ENVIRONMENTAL

Operation Temperature: -20°C to +70°C
Storage Temperature: -40°C to +85°C

ELECTRICAL

Electrical Life: 2,000 operations
Non-Switching Rating: 100mA , 50VDC
Switching Rating: 25mA , 24VDC

PACKAGE

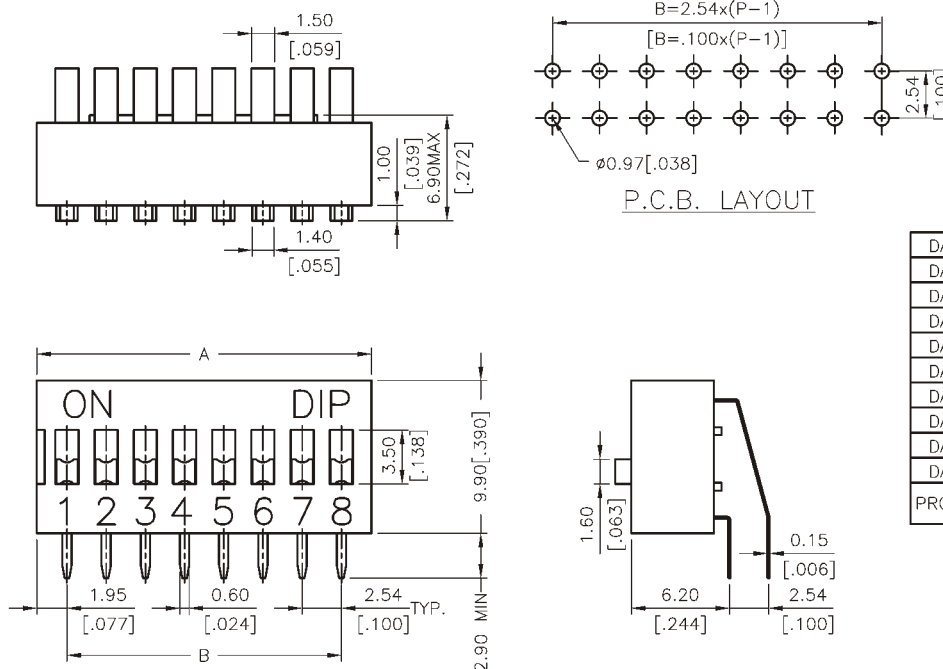
DA-02: 73pcs/tube	DA-02-T: 70 pcs/tube
DA-03: 52pcs/tube	DA-03-T: 50 pcs/tube
DA-04: 40pcs/tube	DA-04-T: 39 pcs/tube
DA-05: 33pcs/tube	DA-05-T: 32 pcs/tube
DA-06: 28pcs/tube	DA-06-T: 28 pcs/tube
DA-07: 24pcs/tube	DA-07-T: 24 pcs/tube
DA-08: 21pcs/tube	DA-08-T: 21 pcs/tube
DA-09: 19pcs/tube	DA-09-T: 19 pcs/tube
DA-10: 17pcs/tube	DA-10-T: 17 pcs/tube
DA-12: 14pcs/tube	DA-12-T: 14 pcs/tube

CIRCUIT

SCHEMATIC(TYP.)



DA



DA-12	12	31.84[1.254]	27.94[1.100]
DA-10	10	26.76[1.054]	22.86[.900]
DA-09	9	24.22[.954]	20.32[.800]
DA-08	8	21.68[.854]	17.78[.700]
DA-07	7	19.14[.754]	15.24[.600]
DA-06	6	16.60[.654]	12.70[.500]
DA-05	5	14.06[.554]	10.16[.400]
DA-04	4	11.52[.454]	7.62[.300]
DA-03	3	8.98[.354]	5.08[.200]
DA-02	2	6.44[.254]	2.54[.100]
PROD. NO.	NO. OF POS.	DIM.A	DIM.B