


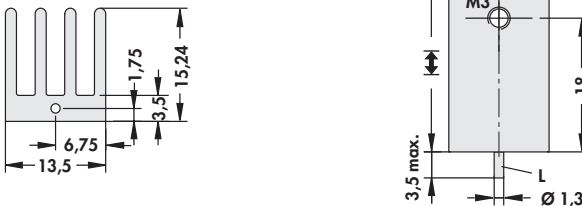

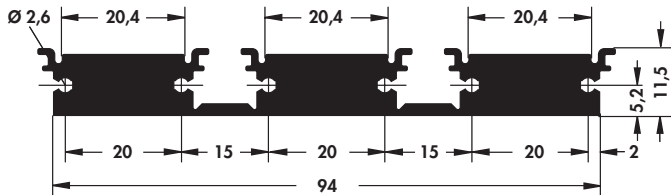


Extruded heatsinks for PCB mounting

- special versions on customer's request
- L = solderable pin

			
art. no.	↔ [mm]	R_{th} [K/W]	⚡
SK 470 25 STS	25	29.0	SOT 32/ TO 220
SK 470 30 STS	30	27.2	
SK 470 35 STS	35	25.6	
SK 470 50 STS	50	23.2	
			
art. no.	↔ [mm]	R_{th} [K/W]	⚡
SK 469 25 STS	25	15.3	SOT 32/ TO 220
SK 469 30 STS	30	14.3	
SK 469 35 STS	35	13.0	
SK 469 50 STS	50	10.6	
surface:		black anodised	

- as mounting- and connecting piece
- for clamp mounting of the transistors
- triple unit can be separated
- solder pin mounting possible
- special versions on customer's request

			
art. no.	↔ [mm]	R_{th} [K/W]	⚡
SK 484 25	25.0	6.0	TO 218/ TO 220/ TO 247/ TO 264/ TO 3 P
SK 484 37,5	37.5	4.5	
SK 484 50	50.0	3.7	
SK 484 75	75.0	2.8	